

ROTENSO[®]
Live better

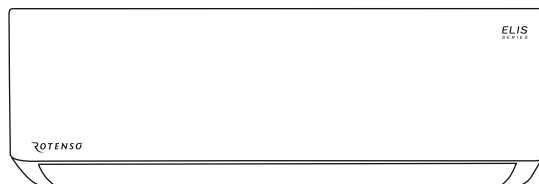
EN

PL

ELIS

S E R I E S

IDU & ODU UNITS



USER MANUAL
OPERATION, MAINTENANCE
AND PRECAUTIONS MANUAL

MODELS:

E26X, ES26X

E35X, ES35X

E50X, ES50X

E70X, ES70X

ELIS X - ROOM AIR CONDITIONER

User manual

Contents

SAFETY PRECAUTIONS	03
PART 1. INDOOR AND OUTDOOR UNITS	11
Indoor unit.....	11
Outdoor unit.....	11
Indoor unit display	12
Manual device operation.....	12
Auto-restart function.....	12
Emergency function	13
Operating temperature	13
PART 2. CLEANING AND MAINTENANCE	14
Indoor unit cleaning	14
Cleaning the hear exchanger	14
End of season maintenance.....	14
Replace the batteries.....	14
PART 3. TROUBLESHOOTING	15
Malfunctions.....	15
Error code on the display	16
APPENDIX FOR REFRIGERANT R290/R32	17

PRECAUTIONS

WARNING

Only qualified personnel should install and service the equipment. The installation, starting up, and servicing of heating, ventilating, and air-conditioning equipment can be hazardous and requires specific knowledge and training. Improperly installed, adjusted or altered equipment by an unqualified person could result in death or serious injury. When working on the equipment, observe all precautions in the literature and on the tags, stickers, and labels that are attached to the equipment.

UTILIZATION:

Do not dispose of this product together with unsorted municipal waste.

It's necessary to transfer this type of waste for special processing. It's illegal to throw the device together with other household waste. There are several ways to get rid of this type of equipment:w

- A. The city organizes electronic waste collection, you can pass the device without the cost.
- B. When you buy a new device the seller will accept the old device without any fees.
- C. Manufacturer will take the product from buyer produkt without charging it with costs.
- D. Products of this type, contains valuable elements, it can be sold on purchase of metals.

Throwing the device „on wild“ exposes you to the risk of losing your health. Dangerous substances from the device can penetrate to groundwater screating a danger of getting through to people's food chain.



PRECAUTIONS

Read the following if you use the device in European countries:

The device can not be operated by children over 7 years old, disabled people and people without experience and knowledge. Instructions should include a description of the correct and safe handling of the device and oraz information about possible dangers. Children should not play with the device. Cleaning and servicing should be carried out by authorized persons.

1. INTRODUCTION TO REFRIGERANTS R32

The refrigerants used for air conditioners are environmentally friendly hydrocarbons R32. The two kinds of refrigerants are combustible and odorless. Moreover, they can bum and explode under certain condition. However, there will be no risk of buming and explosion if you comply with the following table to install your air conditioner in a room with an appropriate area and use it correctly.

Compared with ordinary refrigerants, Refrigerants R32 is environmentally friendly and do not destroy the ozone sphere and that their values of greenhouse effect are also very low.

Detailed parameters and information about purchased unit can be found in the product fiche attached to the device (i.e. type and charge amount of refrigerant, global warming potential, CO2 equivalent).

SAFETY PRECAUTIONS

WARNING

- Please read the manual before installation, using, maintenance.
- Do not use means to accelerate the defrosting process or to clean, other than those recommended by the manufacturer.
- Do not pierce or bump the appliance.
- The appliance shall be stored in a room without continuously operating sources (for example: open flames, an operating ignition gas appliance or an operating electric heater.)
- Please contact the nearest after-sale service center when maintenance is necessary. At the time of maintenance, the maintenance personnel must strictly comply with the Operation Manual provided by the corresponding manufacturer and any non-professional is prohibited to maintain the air conditioner.
- It is necessary to comply with the provisions of gas-related national laws and regulations.
- It is necessary to clear away the refrigerant in the system when maintaining or scrapping an air conditioner.



IMPORTANT NOTE

Read the user manual, installation manual and service manual carefully before installing or operating your new air conditioning unit.

SAFETY PRECAUTIONS



WARNING: *Risk of fire/flammable materials
(Required for R32/R290 units only)*

2. SAFETY RULES AND RECOMMENDATIONS FOR THE INSTALLER

CAUTIONS



- Read this guide before installing and using the appliance.
- Make sure that the base of the outdoor unit is firmly fixed.
- Carry out a test cycle after installing the air conditioner and record the operating data.
- Check that the socket is suitable for the plug, otherwise have the socket changed.
- The appliance must be installed in accordance with applicable national regulations.
- Before accessing the terminals, all the power circuits must be disconnected from the power supply.
- During the installation of the indoor and outdoor units the access to the working area should be forbidden to children. Unforeseeable accidents could happen.
- The user must protect the indoor unit with a fuse of suitable capacity for the maximum input current or with another overload protection device.

SAFETY PRECAUTIONS

CAUTIONS



- The ratings of the fuse installed in the built incontrol unit are T 5A / 250V.
- The air conditioner must be installed by professional or qualified persons.
- Check that air cannot enter the refrigerant system and check for refrigerant leaks when moving the air conditioner.
- Ensure that the mains voltage corresponds to that stamped on the rating plate. Keep the switch or power plug clean. Insert the power plug correctly and firmly into the socket, thereby avoiding the risk of electric shock or fire due to insufficient contact.
- If the appliance gives off smoke or there is a smell of burning, immediately cut off the power supply and contact the Service Centre.
- The appliance must be fitted with means for disconnection from the supply mains having a contact separation in all poles that provide full disconnection under overvoltage category III conditions, and these means must be incorporated in the fixed wiring in accordance with the wiring rules.
- Do not install the appliance at a distance of less than 50 cm from inflammable substances (alcohol, etc.) Or from pressurised containers (e.g. spray cans).
- If the appliance is used in areas without the possibility of ventilation, precautions must be taken to prevent any leaks of refrigerant gas from remaining in the environment and creating a danger of fire

SAFETY PRECAUTIONS

CAUTIONS



- The packaging materials are recyclable and should be disposed of in the separate waste bins. Take the air conditioner at the end of its useful life to a special waste collection centre for disposal.
- Only use the air conditioner as instructed in this booklet. These instructions are not intended to cover every possible condition and situation. As with any electrical household appliance, common sense and caution are therefore always recommended for installation, operation and maintenance.
- Do not try to install the conditioner alone always contact specialized technical personnel.
- The flaps must be directed downwards in the heating mode and upwards in the cooling mode.
- Selecting the most suitable temperature can prevent damage to the appliance.
- Do not pull out the plug to switch off the appliance when it is in operation, since this could create a spark and cause a fire, etc.
- This appliance can be used by children aged from 8 years and above and persons with reduced physical, sensory or mental capabilities or lack of experience and knowledge if they have been given supervision or instruction concerning use of the appliance in a safe way and understand the hazards involved. Children shall not play with the appliance. Cleaning and user maintenance shall not be made by children without supervision.

SAFETY PRECAUTIONS

CAUTIONS



- Unhook the automatic switch if you foresee not to use the device for a long time. The airflow direction must be properly adjusted.
- Cleaning and maintenance must be carried out by specialised technical personnel. In any case disconnect the appliance from the mains electricity supply before carrying out any cleaning or maintenance.
- This appliance has been made for air conditioning domestic environments and must not be used for any other purpose , such as for drying clothes, cooling food, etc.
- Rave repairs carried out only by an authorised Service Centre of the manufacturer. Incorrect repair could expose the user to the risk of electric shock, etc.
- The user is responsible for having the appliance installed by a qualified technician, who must check that it is earthed in accordance with current legislation and insert a thermomagnetic circuit breaker.
- The batteries in remote controller must be recycled or disposed of properly. Disposal of Scrap Batteries Please discard the batteries as sorted municipal waste at the accessible collection point.
- Always use the appliance with the air filter mounted . The use of the conditioner without air filter could cause an excessive accumulation of dust or waste on the inner parts of the device with possible subsequent failures.

SAFETY PRECAUTIONS

CAUTIONS



- Never remain directly exposed to the flow of cold air for a long time. The direct and prolonged exposition to cold air could be dangerous for your health. Particular care should be taken in the rooms where there are children, old or sick people.

PART 1. INDOOR AND OUTDOOR UNITS

1. INDOOR UNIT

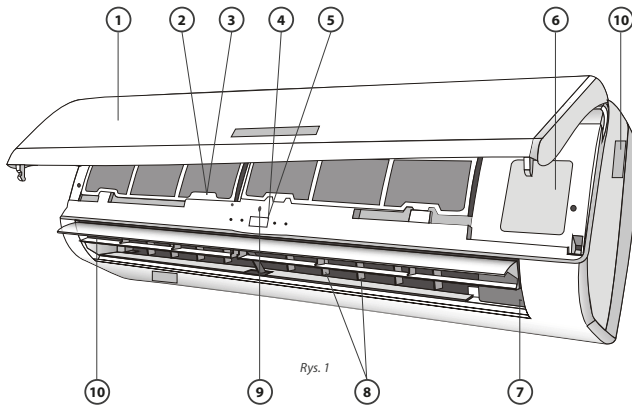


Fig. 2

- | | |
|---|---|
| <ol style="list-style-type: none"> 1. Front panel 2. Air filter 3. Optional filter (if installed) 4. LED Display 5. Signal receiver 6. Terminal block cover | <ol style="list-style-type: none"> 7. Ionizer generator (if installed) 8. Deflectors 9. Emergency button 10. Airflow direction louvers 11. Remote controller |
|---|---|

2. OUTDOOR UNIT

1. Air outlet grille
2. Outdoor unit rating label
3. Terminal block cover
4. Gas valve
5. Liquid valve

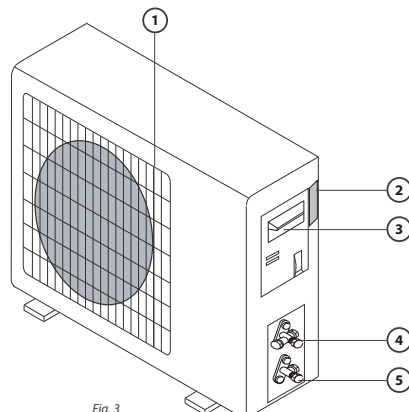
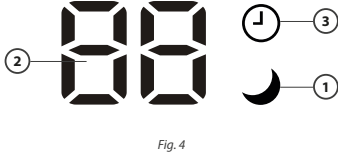





Fig. 3

PART 1. INDOOR AND OUTDOOR UNITS

3. INDOOR UNIT DISPLAY



1.  **SLEEP**
SLEEP mode
2.  **DISPLAY**
 1. Lights up during Timer operation when the air conditioner is operational
 2. Displays the malfunction code when fault occurs.
3.  **TIMER**
Lights up during Timer operation

NOTE

All the pictures in the manual are for explanation purposes only. Your unit may be slightly different. The actual shape shall prevail. The operations and functions are the same.

4. MANUAL DEVICE OPERATION

Indoor units are equipped with a button to control the device during crash remote . You can get to it by opening the front panel. Use the button only when there is a failure or the need for a wireless remote control service.

5. AUTO-RESTART FUNCTION

The appliance is preset restart function by manufacturer. In case of a sudden power failure, the module memorizes the setting conditions before the power failure when the power restores, the unit automatically with all the settings preserved by the memory function.

- **To deactivate the AUTO-RESTART function** proceed follows:
 1. Switch the air conditioner off and plug it off.
 2. Press the emergency button meanwhile plug it in
 3. Keep the button for more than 10 seconds until you hear four short beeps from the unit. The AUTO-RESTART function is deactivate.
- **To activate the AUTO- RESTART function** follow the same procedure until hear three short beeps from the unit.

PART 1. INDOOR AND OUTDOOR UNITS

6. EMERGENCY FUNCTION

If the remote controller fails to work or maintenance necessary, proceed as follows:
Open and lift the front panel up to an angle to reach the emergency button.

1. One press of the emergency beep) will lead to the forced COOLING operation.
2. Two press of the emergency button within 3 sec (two beeps) will lead to the forced HEATING operation.
3. To switch off the unit you just need to press the button again single long beep).
4. After 30 minutes in forced operation, the air conditioner will automatically start working in cooling mode, auto fan speed.

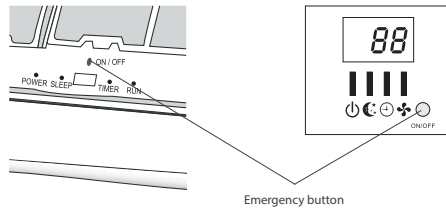


Fig. 5

NOTE

The emergency button in some models could be on the right part of unit under the front panel.

7. OPERATING TEMPERATURE

Mode Temperature	Cooling operating	Heating operating
Room temperature	16°C~32°C	0°C~30°C
Outdoor temperature	-15°C~53°C	-20°C~30°C

NOTE

The unit does not operate immediately if it is turned on after being turned off or after changing the mode during operation. this is a normal self protection action, you need waiting for about 3 minutes.

PART 2. CLEANING AND MAINTENANCE

Periodic maintenance is essential for keeping your air conditioner efficient. Before carrying out any maintenance, disconnect the power supply by taking the plug out from the socket.

1. INDOOR UNIT CLEANING

Anti dust filter

1. Open the front panel following the direction of the arrow.
2. Keeping the front panel raised with one hand, take out the air filter with the other hand.
3. Clean the filter with water if the filter is soiled with oil, it can be washed with warm water (not exceeding 45°C). Leave to dry in a cool and dry place.
4. Keeping the front panel raised with one hand, insert the air filter with the other hand.
5. Close.

The electrostatic and the deodorant filter (if installed) cannot be washed or regenerated and must be replaced with new filters after every 6 months.

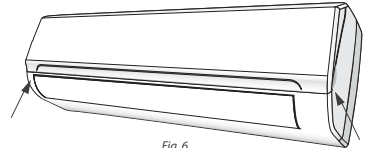


Fig. 6

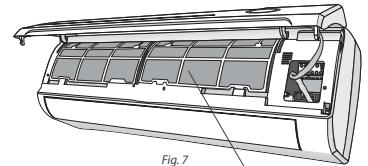


Fig. 7

Antidust filter

2. CLEANING THE HEAR EXCHANGER

1. Open the front panel of the unit and lift it till its greatest stroke and then unhooking it from the hinges to make the cleaning easier.
2. Clean the indoor unit using a cloth with the water (not higher than 40°C) and neutral soap. Never use aggressive solvents or detergents.
3. If the outdoor unit is clogged, remove the leaves and the waste and remove the dust with air jet or a bit of water.

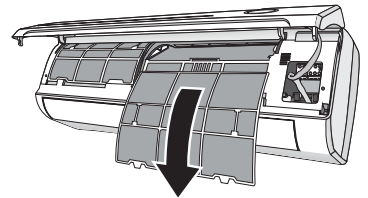


Fig. 8

3. END OF SEASON MAINTENANCE

1. Disconnect the automatic switch or the plug
2. Clean and replace the filters
3. On a sunny day let the conditioner work in ventilation for some hours, so that the inside of the unit can dry completely

4. REPLACING THE BATTERIES

When is no confirmation beep heard from the indoor unit or the LCD doesn't act maybe you must change batteries. Take off the cover at back remote and place the new batteries respecting the symbols + and -. Use only new batteries. Remove the batteries from the remote controller when the conditioner is not in operation.

**CAUTION**

Do not throw batteries into common rubbish, they should be disposed of in the special containers situated in the collection points.

PART 3. TROUBLESHOOTING**1. MALFUNCTIONS**

Malfunction	Possible causes
The appliance does not operate	Power failure/plug pulled out
	Damaged indoor/outdoor unit fan motor
	Faulty compressor thermomagnetic circuit breaker
	Faulty protective device or fuses
	Loose connections or plug pulled out
	It sometimes stops operating to protect the appliance
	Voltage higher or lower than the voltage range
	Active TIMER-ON function
	Damaged electronic control board
Strange odour	Air filter dirty
Noise of running water	Let Back flow of liquid in the refrigerant circulation
A fine mist comes from the air outlet	This occurs when the air in the room becomes very cold, for example in the "COOLING" or DEHUMIDIFYING/DRY modes
A strange noise can be heard	This noise is made by the expansion or contraction of the front panel due to variations in temperature and does not indicate a problem
Insufficient air flow, either hot or cold	Inappropriate temperature setting.
	Air inlet or outlet of indoor or outdoor unit has been blocked
	Air filter is blocked
	Fan speed set at minimum
	Other sources of heat in the room
	No refrigerant
The appliance does not respond to commands	Remote control is not near enough to indoor unit
	Battery in Remote controller may have been exhausted
	Obstacles between remote control and signal receiver in indoor unit
The display is off	Active LED function
	Power failure

PART 3. TROUBLESHOOTING



CAUTION

Switch off the air conditioner immediately and cut off the power supply in the event of:

- Strange noises during operation
- Faulty electronic control board
- Faulty fuses or switches
- Spraying water or objects inside the appliance
- Overheated cables or plugs.
- Very strong smells coming from the appliance

2. ERROR SIGNALS ON THE DISPLAY

In case of error, the display on the indoor unit shown the following error codes:

CODE	RUN lamp	Description of the trouble
E1	Flashes once	The fault of indoor temperature sensor
E2	Flashes twice	The fault of indoor pipe temperature sensor
E6	Flashes 6 times	Malfunction of indoor fan motor

APPENDIX FOR REFRIGERANT R290/R32

SPECIFIC INFORMATION REGARDING APPLIANCES WITH R290 / R32 REFRIGERANT GAS.

- Thoroughly read all of the warnings.
- When defrosting and cleaning the appliance, do not use any tools other than those recommended by the manufacturing company.
- The appliance must be placed in an area without any continuously sources of ignition (for example: open flames, gas or electrical appliances in operation).
- Do not puncture and do not burn.
- This appliance contains Y g (see rating label back of unit) of R290 / R32 refrigerant gas.
- R290 / R32 is a refrigerant gas that complies with the European directives on the environment. Do not puncture any part of the refrigerant circuit. Be aware the refrigerants may not contain an odour.
- If the appliance is installed, operated or stored in a nonventilated area, the room must be designed to prevent to the accumulation of refrigerant leaks resulting in a risk of fire or explosion due to ignition of the refrigerant caused by electric heaters, stoves, or other sources of ignition.
- The appliance must be stored in such a way as to prevent mechanical failure.
- Individuals who operate or work on the refrigerant circuit must have the appropriate certification issued by an accredited organization that ensures competence in handling refrigerants according to a specific evaluation recognized by associations in the industry.
- Repairs must be performed based on the recommendation from the manufacturing company.

Maintenance and repairs that require the assistance of other qualified personnel must be performed under the supervision of an individual specified in the use of flammable refrigerants.

Appliances shall be installed, operated and stored in a room with a floor area larger than 4 m². The appliance shall be stored in a well-ventilated area where the room size corresponds to the room area as specified for operation.

REPAIR INSTRUCTIONS FOR APPLIANCES CONTAINING R290 / R32

1. GENERAL INSTRUCTIONS

This instruction manual is intended for use by individuals possessing adequate backgrounds of electrical, electronic, refrigerant and mechanical experience.

1.1. Checks to the area

Prior to beginning work on systems containing flammable refrigerants, safety checks are necessary to ensure that the risk of ignition is minimised. For repair to the refrigerating system, the following precautions shall be complied with prior to conducting work on the system.

1.2. Work procedure

Work shall be undertaken under a controlled procedure so as to minimise the risk of a flammable gas or vapour being present while the work is being performed.

1.3. General work area

All maintenance staff and others working in the local area shall be instructed on the nature of work being carried out. Work in confined spaces shall be avoided. The area around the workspace shall be sectioned off. Ensure that the conditions within the area have been made safe by control of flammable material.

APPENDIX FOR REFRIGERANT R290/R32

1.4. Checking for presence of refrigerant

The area shall be checked with an appropriate refrigerant detector prior to and during work, to ensure the technician is aware of potentially flammable atmospheres. Ensure that the leak detection equipment being used is suitable for use with flammable refrigerants, i.e. nonsparking, adequately sealed or intrinsically safe.

1.5. Presence of fire extinguisher

If any hotwork is to be conducted on the refrigeration equipment or any associated parts, appropriate fire extinguishing equipment shall be available to hand. Have a dry powder or CO₂ fire extinguisher adjacent to the charging area.

1.6. No ignition sources

No person carrying out work in relation to a refrigeration system which involves exposing any pipe work that contains or has contained flammable refrigerant shall use any sources of ignition in such a manner that it may lead to the risk of fire or explosion. All possible ignition sources, including cigarette smoking, should be kept sufficiently far away from the site of installation, repairing, removing and disposal, during which flammable refrigerant can possibly be released to the surrounding space. Prior to work taking place, the area around the equipment is to be surveyed to make sure that there are no flammable hazards or ignition risks. "No Smoking" signs shall be displayed.

1.7. Ventilated area

Ensure that the area is in the open or that it is adequately ventilated before breaking into the system or conducting any hot work. A degree of ventilation shall continue during the period that the work is carried out. The ventilation should safely disperse any released refrigerant and preferably expel it externally into the atmosphere.

1.8. Checks to the refrigeration equipment

Where electrical components are being changed, they shall be fit for the purpose and to the correct specification. At all times the manufacturer's maintenance and service guidelines shall be followed. If in doubt consult the manufacturer's technical department for assistance. The following checks shall be applied to installations using flammable refrigerants: - the charge size is in accordance with the room size within which the refrigerant containing parts are installed;

- the ventilation machinery and outlets are operating adequately and are not obstructed;
- if an indirect refrigerating circuit is being used, the secondary circuit shall be checked for the presence of refrigerant;
- marking to the equipment continues to be visible and legible. Markings and signs that are illegible shall be corrected;
- refrigeration pipe or components are installed in a position where they are unlikely to be exposed to any substance which may corrode refrigerant containing components, unless the components are constructed of materials which are inherently resistant to being corroded or are suitably protected against being so corroded.

1.9 Checks to electrical devices

Repair and maintenance to electrical components shall include initial safety checks and component inspection procedures. If a fault exists that could compromise safety, then no electrical supply shall be connected to the circuit until it is satisfactorily dealt with. If the fault cannot be corrected immediately but it is necessary to continue operation, an adequate temporary solution shall be used. This shall be reported to the owner of the equipment so all parties are advised. Initial safety checks shall include:

- that capacitors are discharged: this shall be done in a safe manner to avoid possibility of sparking;
- that there are no live electrical components and wiring are exposed while charging, recovering or purging the system;
- that there is continuity of earth bonding.

APPENDIX FOR REFRIGERANT R290/R32

2. REPAIRS TO SEALED COMPONENTS

2.1. During repairs to sealed components, all electrical supplies shall be disconnected from the equipment being worked upon prior to any removal of sealed covers, etc. If it is absolutely necessary to have an electrical supply to equipment during servicing, then a permanently operating form of leak detection shall be located at the most critical point to warn of a potentially hazardous situation.

2.2. Particular attention shall be paid to the following to ensure that by working on electrical components, the casing is not altered in such a way that the level of protection is affected. This shall include damage to cables, excessive number of connections, terminals not made to original specification, damage to seals, incorrect fitting of glands, etc.

Ensure that apparatus is mounted securely.

Ensure that seals or sealing materials have not degraded such that they no longer serve the purpose of preventing the ingress of flammable atmospheres. Replacement parts shall be in accordance with the manufacturer's specifications.

NOTE: The use of silicon sealant may inhibit the effectiveness of some types of leak detection equipment. Intrinsically safe components do not have to be isolated prior to working on them.

3. REPAIR TO INTRINSICALLY SAFE COMPONENTS

Do not apply any permanent inductive or capacitance loads to the circuit without ensuring that this will not exceed the permissible voltage and current permitted for the equipment in use.

Intrinsically safe components are the only types that can be worked on while live in the presence of a flammable atmosphere. The test apparatus shall be at the correct rating.

Replace components only with parts specified by the manufacturer. Other parts may result in the ignition of refrigerant in the atmosphere from a leak.

4. CABLING

Check that cabling will not be subject to wear, corrosion, excessive pressure, vibration, sharp edges or any other adverse environmental effects. The check shall also take into account the effects of aging or continual vibration from sources such as compressors or fans.

5. DETECTION OF FLAMMABLE REFRIGERANTS

Under no circumstances shall potential sources of ignition be used in the searching for or detection of refrigerant leaks. A halide torch (or any other detector using a naked flame) shall not be used.

6. LEAK DETECTION METHODS

The following leak detection methods are deemed acceptable for systems containing flammable refrigerants. Electronic leak detectors shall be used to detect flammable refrigerants, but the sensitivity may not be adequate, or may need recalibration. (Detection equipment shall be calibrated in a refrigerant-free area.)

Ensure that the detector is not a potential source of ignition and is suitable for the refrigerant used. Leak detection equipment shall be set at a percentage of the LFL of the refrigerant and shall be calibrated to the refrigerant employed and the appropriate percentage of gas (25 % maximum) is confirmed.

Leak detection fluids are suitable for use with most refrigerants but the use of detergents containing chlorine shall be avoided as the chlorine may react with the refrigerant and corrode the copper pipework.

If a leak is suspected, all open flames shall be removed/extinguished.

APPENDIX FOR REFRIGERANT R290/R32

If a leakage of refrigerant is found which requires brazing, all of the refrigerant shall be recovered from the system, or isolated (by means of shut off valves) in a part of the system remote from the leak. Oxygen free nitrogen (OFN) shall then be purged through the system both before and during the brazing process.

7. REMOVAL AND EVACUATION

When breaking into the refrigerant circuit to make repairs - or for any other purpose - conventional procedures shall be used. However, it is important that best practice is followed since flammability is a consideration. The following procedure shall be adhered to: remove refrigerant; purge the circuit with inert gas; evacuate; purge again with inert gas; open the circuit by cutting or brazing.

The refrigerant charge shall be recovered into the correct recovery cylinders. The system shall be “flushed” with OFN to render the unit safe. This process may need to be repeated several times. Compressed air or oxygen shall not be used for this task. Flushing shall be achieved by breaking the vacuum in the system with OFN and continuing to fill until the working pressure is achieved, then venting to atmosphere, and finally pulling down to a vacuum. This process shall be repeated until no refrigerant is within the system.

When the final OFN charge is used, the system shall be vented down to atmospheric pressure to enable work to take place. This operation is absolutely vital if brazing operations on the pipework are to take place. Ensure that the outlet for the vacuum pump is not close to any ignition sources and there is ventilation available.

8. CHARGING PROCEDURES

In addition to conventional charging procedures, the following requirements shall be followed. Ensure that contamination of different refrigerants does not occur when using charging equipment. Hoses or lines shall be as short as possible to minimise the amount of refrigerant contained in them. Cylinders shall be kept upright. Ensure that the refrigeration system is earthed prior to charging the system with refrigerant. Label the system when charging is complete (if not already). Extreme care shall be taken not to overfill the refrigeration system. Prior to recharging the system it shall be pressure tested with OFN. The system shall be leak tested on completion of charging but prior to commissioning. A follow up leak test shall be carried out prior to leaving the site.

9. DECOMMISSIONING

Before carrying out this procedure, it is essential that the technician is completely familiar with the equipment and all its detail. It is recommended good practice that all refrigerants are recovered safely. Prior to the task being carried out, an oil and refrigerant sample shall be taken in case analysis is required prior to re-use of reclaimed refrigerant. It is essential that 4 GB electrical power is available before the task is commenced.

- a. Become familiar with the equipment and its operation.
- b. Isolate system electrically.
- c. Before attempting the procedure ensure that: mechanical handling equipment is available, if required, for handling refrigerant cylinders;
- d. All personal protective equipment is available and being used correctly; the recovery process is supervised at all times by a competent person;
- e. recovery equipment and cylinders conform to the appropriate standards.
- f. Pump down refrigerant system, if possible.
- g. If a vacuum is not possible, make a manifold so that refrigerant can be removed from various parts of the system.
- h. Make sure that cylinder is situated on the scales before recovery takes place.
- i. Start the recovery machine and operate in accordance with manufacturer’s instructions.
- j. Do not overfill cylinders. (No more than 80 % volume liquid charge).
- k. Do not exceed the maximum working pressure of the cylinder, even temporarily.

APPENDIX FOR REFRIGERANT R290/R32

- I. When the cylinders have been filled correctly and the process completed, make sure that the cylinders and the equipment are removed from site promptly and all isolation valves on the equipment are closed off.
- m.Recovered refrigerant shall not be charged into another refrigeration system unless it has been cleaned and checked.

10. LABELLING

Equipment shall be labelled stating that it has been de-commissioned and emptied of refrigerant. The label shall be dated and signed. Ensure that there are labels on the equipment stating the equipment contains flammable refrigerant.

11. RECOVERY

When removing refrigerant from a system, either for servicing or decommissioning, it is recommended good practice that all refrigerants are removed safely. When transferring refrigerant into cylinders, ensure that only appropriate refrigerant recovery cylinders are employed. Ensure that the correct number of cylinders for holding the total system charge are available. All cylinders to be used are designated for the recovered refrigerant and labelled for that refrigerant (i.e. special cylinders for the recovery of refrigerant). Cylinders shall be complete with pressure relief valve and associated shut-off valves in good working order. Empty recovery cylinders are evacuated and, if possible, cooled before recovery occurs.

The recovery equipment shall be in good working order with a set of instructions concerning the equipment that is at hand and shall be suitable for the recovery of flammable refrigerants. In addition, a set of calibrated weighing scales shall be available and in good working order. Hoses shall be complete with leak-free disconnect couplings and in good condition. Before using the recovery machine, check that it is in satisfactory working order, has been properly maintained and that any associated electrical components are sealed to prevent ignition in the event of a refrigerant release. Consult manufacturer if in doubt.

The recovered refrigerant shall be returned to the refrigerant supplier in the correct recovery cylinder, and the relevant Waste Transfer Note arranged. Do not mix refrigerants in recovery units and especially not in cylinders. If compressors or compressor oils are to be removed, ensure that they have been evacuated to an acceptable level to make certain that flammable refrigerant does not remain within the lubricant. The evacuation process shall be carried out prior to returning the compressor to the suppliers. Only electric heating to the compressor body shall be employed to accelerate this process. When oil is drained from a system, it shall be carried out safely.

ROTENSO[®]
Live better

PL

ELIS

S E R I E S

IDU & ODU UNITS



INSTRUKCJA OBSŁUGI
UŻYTKOWANIA, KONSERWACJI
I ŚRODKÓW OSTROŻNOŚCI

MODELE:

E26X, ES26X

E35X, ES35X

E50X, ES50X

E70X, ES70X

KLIMATYZATORY ŚCIENNE - ELIS X

Instrukcja obsługi

Spis treści

ŚRODKI OSTROŻNOŚCI	25
CZĘŚĆ 1. JEDNOSTKA WEWNĘTRZNA I ZEWNĘTRZNA	34
Jednostka wewnętrzna.....	34
Jednostka zewnętrzna	34
Wyświetlacz jednostki wewnętrznej.....	35
Ręczna obsługa urządzenia.....	35
Funkcja Auto-restartu.....	35
Funkcja awaryjna	36
Zakres pracy.....	36
CZĘŚĆ 2. CZYSZCZENIE I KONSERWACJA	37
Czyszczenie jednostki wewnętrznej	37
Czyszczenie wymiennika ciepła	37
Konserwacja po zakończeniu sezonu.....	37
Wymiana baterii	37
CZĘŚĆ 3. ROZWIĄZYWANIE PROBLEMÓW	38
Możliwe usterki.....	38
Sygnały błędów na wyświetlaczu.....	39
ZAŁĄCZNIK DOTYCZĄCY CZYNNIKA CHŁODNICZEGO R290/R32	40

ŚRODKI OSTROŻNOŚCI

OSTRZEŻENIE

Tylko wykwalifikowane osoby powinny instalować i serwisować sprzęt. Instalacja, rozruch i serwis urządzeń może być niebezpieczny i wymaga specjalistycznej wiedzy i przeszkolenia. Nieprawidłowo zainstalowany, przygotowany lub wymieniony sprzęt przez niewykwalifikowane osoby może spowodować poważne obrażenia ciała, a nawet śmierć. Podczas pracy przy urządzeniu należy przestrzegać wszelkich środków ostrożności zawartej w niniejszej instrukcji, na naklejkach i etykietach urządzenia.

UTYLIZACJA:

Nie wyrzucaj urządzenia razem z niesortowanymi odpadami komunalnymi. Konieczne jest przekazanie tego typu odpadów do specjalnego przetworzenia. Wyrzucanie urządzenia razem z innymi odpadami z gospodarstwa domowego jest nielegalne.

Istnieje kilka sposobów pozbycia się sprzętów tego typu:

- A. Miasto organizuje zbiórki odpadów elektronicznych, podczas których można przekazać urządzenie bez ponoszenia kosztów.
- B. Podczas kupowania nowego urządzenia sprzedawca przyjmie nasze stare urządzenie bez żadnej opłaty.
- C. Producent odbierze od klienta produkt bez obciążania go kosztami.
- D. Produkty tego typu, zawierające cenne elementy, mogą zostać sprzedane na skupie metali.

Wyrzucenie urządzenia „na dziko” naraża Ciebie oraz Twoich najbliższych na ryzyko utraty zdrowia. Niebezpieczne substancje z urządzenia mogą przeniknąć do wód gruntowych stwarzając niebezpieczeństwo przedostania się do łańcucha pokarmowego ludzi.



ŚRODKI OSTROŻNOŚCI

Czynnik chłodniczy R32 stosowany w klimatyzatorach Rotenso® jest przyjazny dla środowiska. Są to gazy palne i bezwonne. Co więcej, potrafią być łatwopalne i mogą spowodować pożar/wybuch pod pewnymi warunkami. Stosując się do poniższych ostrzeżeń i tabeli unikniesz ryzyka pożaru czy wybuchu. Zainstaluj klimatyzator zgodnie z zawartymi w instrukcji wytycznymi i używaj go zgodnie z jego przeznaczeniem.

W porównaniu z innymi czynnikami chłodniczymi, czynnik R32 jest przyjazny dla środowiska i nie niszczy strefy ozonowej, a wartość wytwarzanego przez niego efektu cieplarnianego jest bardzo niska.

Szczegółowe parametry oraz informacje nt. zakupionego urządzenia znajdują się w załączonej do urządzenia karcie produktu (w tym rodzaj oraz ilość zastosowanego czynnika chłodniczego, współczynnik ocieplenia globalnego, ekwiwalent CO₂).



OSTRZEŻENIE: *Ryzyko pożaru / materiał łatwopalny*

ŚRODKI OSTROŻNOŚCI

OSTRZEŻENIE

- Przeczytaj instrukcję przed instalacją, użytkowaniem czy konserwacją urządzenia.
- Nie używaj środków umożliwiających rozmrażanie, silnych detergentów do czyszczenia i innych substancji niż zalecane przez producenta.
- Nie przebijaj ani nie rzucaj urządzeniem.
- Nie używaj urządzenia w miejscach gdzie występują stałe źródła ciepła (np. otwarty płomień, urządzenia do zapłonu lub nagrzewnice elektryczne).
- W przypadku koniecznej konserwacji urządzenia, należy skontaktować się z instalatorem. W czasie konserwacji personel musi ściśle przestrzegać instrukcji producenta. Konserwacja nie może być przeprowadzana przez osoby niewykwalifikowane.
- Konieczne jest przestrzeganie przepisów krajowych, związanych z użytkowaniem czynników chłodniczych.
- Konieczne jest usunięcie czynnika chłodniczego z urządzenia podczas jego konserwacji czy utylizacji.



WAŻNE INFORMACJE

Przed instalacją i uruchomieniem urządzenia należy uważnie przeczytać instrukcję obsługi, montażu i instalacji.

ŚRODKI OSTROŻNOŚCI

ZASADY BEZPIECZEŃSTWA

UWAGA



- Przeczytaj niniejszą instrukcję obsługi przed instalacją i użytkowaniem urządzenia.
- Upewnij się, że podstawa jednostki zewnętrznej jest mocno i stabilnie zamontowana.
- Po zainstalowaniu klimatyzatora wykonaj cykl testów i zapisz dane operacyjne.
- Sprawdź czy gniazdko jest odpowiednio uziemione, w przeciwnym razie zmień je.
- Podczas pracy przy zaciskach wszystkie obwody zasilające muszą być odłączone od zasilania.
- Dzieci nie mogą mieć dostępu do strefy montażu, podczas instalacji jednostki wewnętrznej jak i zewnętrznej.
- Jednostka wewnętrzna klimatyzatora musi być zabezpieczona odpowiednim bezpiecznikiem przed różnego rodzaju przepięciami.
- Wartość znamionowa bezpiecznika zainstalowanego w urządzeniu to T 5A / 250V.
- Klimatyzator może być zainstalowany wyłącznie przez osoby do tego wykwalifikowane.
- Upewnij się, że napięcie sieciowe odpowiada napięciu na tabliczce znamionowej urządzenia. Utrzymuj wtyczkę i przewody w czystości. Wtyczkę zasilającą należy prawidłowo włożyć do gniazda, powinna być mocno dociśnięta do gniazda, aby uniknąć ryzyka porażenia prądem lub pożaru.

ŚRODKI OSTROŻNOŚCI

UWAGA



- Czyszczenie i konserwacja muszą być wykonywane przez wykwalifikowane osoby. Przed przystąpieniem do czynności należy najpierw odłączyć urządzenie od zasilania.
- Urządzenie powinno być wyposażone w elementy pozwalające na odłączenie od sieci zasilającej z separacją styków na wszystkich biegunach, zapewniając pełne odłączenie w warunkach przepięcia kategorii III.
- Nie instaluj urządzenia w pobliżu substancji łatwopalnych (alkohol itp.) czy pojemników ciśnieniowych (np. puszki aerozolowe).
- Jeśli urządzenie ma być zainstalowane w miejscu bez możliwości wentylacji, należy podjąć odpowiednie środki ostrożności, aby zapobiec wyciekowi czynnika chłodniczego do otoczenia, które może grozić pożarem.
- Opakowania urządzeń nadają się do recyklingu i należy wyrzucić je do odpowiednich pojemników na odpady. Samo urządzenie, pod koniec jego pracy, należy oddać do specjalnego punktu odbioru.
- Klimatyzatory należy używać wyłącznie zgodnie z instrukcją obsługi. Niniejsza instrukcja uwzględnia wszystkie możliwe warunki i sytuacje, które mogą wystąpić.
- Nigdy nie instaluj klimatyzatora samodzielnie, zawsze kontaktuj się z wyspecjalizowanym personelem technicznym.
- Kłapa klimatyzatora, odpowiedzialna za kierunek przepływu powietrza (żaluzja), w trybie ogrzewania musi być skierowana w dół, a podczas trybu chłodzenia - w górę.

ŚRODKI OSTROŻNOŚCI

UWAGA



- Klimatyzator zawsze powinien być ustawiony na najbardziej adekwatną temperaturę do panujących warunków klimatycznych.
- Baterie w pilocie należy wyrzucić do odpowiedniego pojemnika z materiałami do recyklingu.
- Sprawdź, czy układ chłodzenia jest szczelny i nie dostaje się do niego powietrze, ani nie ma wycieku czynnika chłodniczego.
- Urządzenie należy instalować zgodnie z normami krajowym.
- Urządzenie może być obsługiwane przez dzieci powyżej 8 roku życia, osoby upośledzone umysłowo lub fizycznie oraz osoby bez odpowiedniego doświadczenia i wiedzy, o ile zostały wcześniej właściwie poinstruowane lub odbywa się to pod okiem osoby z odpowiednią wiedzą. Dzieci nie powinny bawić się klimatyzatorem. Czyszczenie i konserwacja nie może być wykonywana przez dzieci bez nadzoru.
- Odłącz urządzenie i ustaw odpowiednio żaluzję kierunku powietrza, jeśli nie zamierzasz używać go przez dłuższy czas.
- Jeśli z urządzenia wydobywa się dym, bądź dziwny zapach spalenizny, należy natychmiast odłączyć zasilanie i skontaktować się z serwisem.
- Jeśli urządzenie jest uruchomione nie wolno wyłączać go ciągnąc za wtyczkę zasilającą. Może to spowodować iskrę i pożar.
- Urządzenie to zostało zaprojektowane do pracy w warunkach domowych, nie wolno go używać do żadnych innych celów, takich jak np. suszenie ubrań, chłodzenie żywności itp.

ŚRODKI OSTROŻNOŚCI

UWAGA



- Wszelkie naprawy przeprowadzane są wyłącznie przez autoryzowany serwis producenta. Nieprawidłowa naprawa przez osoby niewykwalifikowane może narazić użytkownika na ryzyko porażenia prądem i uszkodzeniem mienia.
- Zawsze używaj urządzenia z zamontowanym filtrem powietrza. W innym przypadku może to spowodować nadmierne gromadzenie się kurzu lub pyłów na wewnętrznych częściach klimatyzatora, co może doprowadzić do jego awarii.
- Użytkownik jest odpowiedzialny za zainstalowanie urządzenia przez wykwalifikowanego technika, który musi sprawdzić, czy klimatyzator jest uziemiony zgodnie z obowiązującymi normami i przepisami. Technik powinien zamontować wyłącznik termomagnetyczny.
- Nie należy narażać się na bezpośredni przepływ zimnego powietrza przez dłuższy czas. Bezpośrednia i długotrwała ekspozycja na zimne powietrze może być niebezpieczna dla zdrowia. Szczególną ostrożność należy zachować, gdy w pomieszczeniu przebywają dzieci, osoby chore lub starsze.

ŚRODKI OSTROŻNOŚCI

UWAGA



- W żaden sposób nie zmieniaj właściwości i przeznaczenia urządzenia.
- Nie zostawiaj na długo otwartych okien lub drzwi, gdy klimatyzator jest włączony i działa.
- Nie wspinaj się na jednostkę, ani nie stawiaj jej na żadnym przedmiocie. Nie kładź na niej żadnych ciężkich ani gorących przedmiotów.
- Nie zginaj, nie ciągnij ani nie ściskaj przewodu zasilającego urządzenia, czynności te mogą go uszkodzić. Jeśli dojdzie do uszkodzenia przewodu elektrycznego, skontaktuj się z działem serwisu celem jego wymienienia. W innym przypadku grozi to porażeniem prądem lub pożarem.
- Nie dotykaj urządzenia wilgotnymi lub mokrymi rękoma.
- Nie zasłaniaj wlotu i wylotu powietrza klimatyzatora i jednostki zewnętrznej. Ich zablokowanie spowoduje zmniejszenie sprawności urządzeń oraz awarie i uszkodzenia.
- Nie instaluj urządzenia w miejscach, w których powietrze może zawierać gaz i gdzie będzie narażone na substancje oleiste, siarkowe itp. Nie instaluj urządzenia w pobliżu źródeł ciepła.
- Urządzenie nie może być obsługiwane przez dzieci poniżej 8 roku życia, osoby upośledzone umysłowo lub fizycznie oraz osoby bez odpowiedniego doświadczenia i wiedzy.
- Długa i bezpośrednia ekspozycja strumienia zimnego powietrza na rośliny i zwierzęta może mieć na nie negatywny wpływ.

ŚRODKI OSTROŻNOŚCI

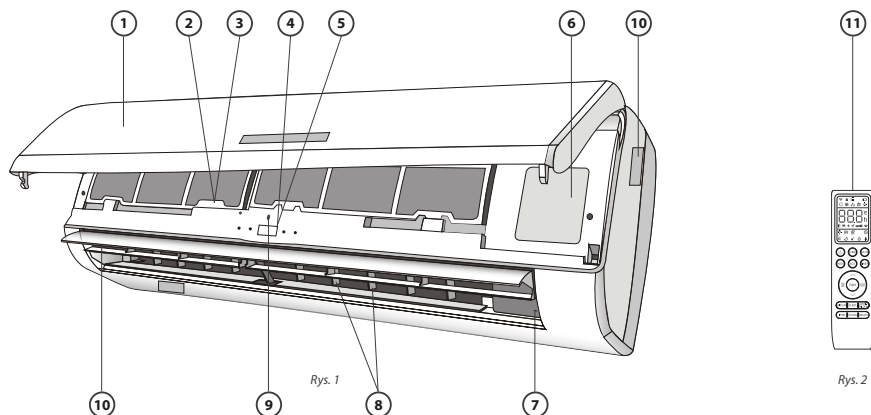
UWAGA



- Nie instaluj urządzenia w mokrych i wilgotnych miejscach (np. łazienka). Izolacja elektryczna może zostać uszkodzona i spowodować porażenie prądem.
- Nie kieruj strumienia powietrza klimatyzatora na rośliny i zwierzęta.
- Nie wtykaj żadnych przedmiotów do urządzenia, może to spowodować uszkodzenia ciała.

CZĘŚĆ 1. JEDNOSTKA WEWNĘTRZNA I ZEWNĘTRZNA

1. JEDNOSTKA WEWNĘTRZNA

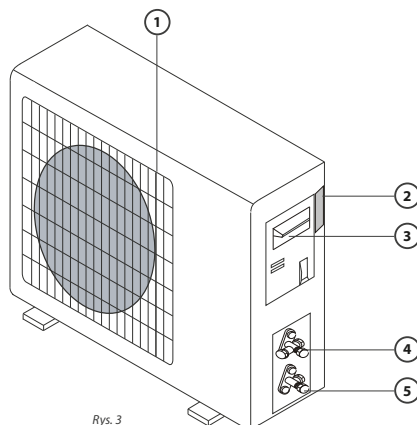


1. Przedni panel
2. Filtr powietrza
3. Dodatkowy filtr powietrza (opcja)
4. Wyświetlacz LED
5. Odbiornik sygnału
6. Pokrywa bloku zacisków

7. Jonizator powietrza (tylko niektóre modele)
8. Żaluzje pionowe
9. Przycisk awaryjny
10. Żaluzja kierunku przepływu powietrza
11. Pilot

2. JEDNOSTKA ZEWNĘTRZNA

1. Kratka wylotu powietrza
2. Etykieta znamionowa
3. Pokrywa bloku zacisków
4. Zawór gazu
5. Zawór cieczy






CZĘŚĆ 1. JEDNOSTKA WEWNĘTRZNA I ZEWNĘTRZNA

3. WYŚWIETLACZ JEDNOSTKI WEWNĘTRZNEJ



Rys. 4

1.  **DIODA SLEEP**
Sygnalizacja funkcji snu
2.  **WYŚWIETLACZ**
 1. Zapala się podczas działania TIMERA, gdy klimatyzator działa.
 2. Jeśli wystąpi błąd - wyświetla jego kod.
3.  **TIMER**
Zapala się podczas działania TIMERA



UWAGA

Wszystkie ilustracje użyte w niniejszej instrukcji są wyłącznie poglądowe. Operacje i funkcje nie zmieniają się.

4. RĘCZNA OBSŁUGA URZĄDZENIA

Jednostki wewnętrzne zaopatrzone zostały w przycisk umożliwiający sterowanie urządzeniem w trakcie awarii pilota. Można się do niego dostać otwierając panel przedni. Z przycisku należy korzystać jedynie przy awarii bądź konieczności serwisu pilota bezprzewodowego.

5. FUNKCJA AUTO-RESTARTU

Urządzenie jest wyposażone przez producenta w funkcję auto-restartu. W przypadku nagłej awarii zasilania moduł pamięci zapamiętuje ustawienia sprzed awarii zasilania. Po przywróceniu zasilania urządzenie uruchamia się automatycznie z wszystkimi poprzednimi ustawieniami zachowanymi przez funkcję pamięci.

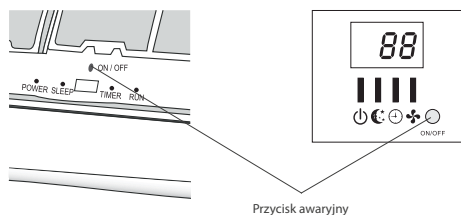
- **Aby dezaktywować funkcję AUTO-RESTARTU** postępuj następująco:
 1. Wyłącz klimatyzator i odłącz od źródła zasilania
 2. Naciśnij przycisk awaryjny i w między czasie podłącz klimatyzator do źródła zasilania
 3. Pozostaw naciśnięty przycisk awaryjny co najmniej 10 sekund do momentu usłyszenia czterech krótkich sygnałów dźwiękowych, po czym funkcja AUTO-RESTARTU zostanie zdezaktywowana.
- **Aby aktywować funkcję AUTO-RESTARTU** wykonaj tą samą czynność do momentu usłyszenia trzech krótkich sygnałów dźwiękowych

CZĘŚĆ 1. JEDNOSTKA WEWNĘTRZNA I ZEWNĘTRZNA

6. FUNKCJA AWARYJNA

Jeżeli pilot bezprzewodowy ulegnie awarii lub nastąpi potrzeba konserwacji, otwórz przedni panel urządzenia pod odpowiednim kątem, aby dotrzeć do przycisku awaryjnego, i postępuj zgodnie z poniższymi instrukcjami:

1. Jednokrotne naciśnięcie przycisku (Jeden sygnał dźwiękowy) sprawi, że jednostka rozpocznie pracę w trybie chłodzenia.
2. Dwukrotne naciśnięcie przycisku w przeciągu 3 sekund (dwa sygnały dźwiękowe) sprawi, że jednostka rozpocznie pracę w trybie grzania.
3. Aby wyłączyć jednostkę należy nacisnąć ponownie przycisk (pojedynczy, długi sygnał dźwiękowy).
4. Po 30 minutach wymuszonej pracy, klimatyzator automatycznie zacznie pracować w trybie chłodzenia z automatyczną prędkością wentylatora.



UWAGA

W niektórych modelach przycisk awaryjny może znajdować się pod panelem w prawej części urządzenia.

7. ZAKRES PRACY

Temperatura \ Tryb	Tryb chłodzenia	Tryb grzania
Zakres pracy w pomieszczeniu	16°C~32°C	0°C~30°C
Zakres pracy na zewnątrz	-15°C~53°C	-20°C~30°C

UWAGA

Jeśli urządzenie zostanie włączone zaraz po wyłączeniu lub po zmianie trybu podczas pracy, może nie zadziałać natychmiast. Jest to normalne działanie zabezpieczające urządzenia. Należy wówczas odczekać ok 3 minuty.

CZĘŚĆ 2. CZYSZCZENIE I KONSERWACJA

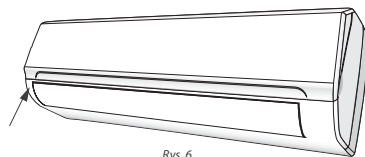
Okresowa konserwacja jest niezbędna do utrzymania prawidłowej wydajności klimatyzatora. Przed przeprowadzeniem jakiegokolwiek konserwacji odłącz zasilanie, wyciągając wtyczkę z gniazdka.

1. CZYSZCZENIE JEDNOSTKI WEWNĘTRZNEJ

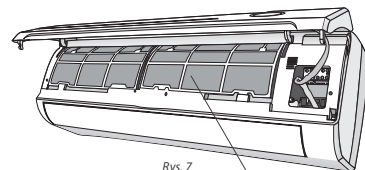
Filtr przeciwpylewy

1. Otwórz przedni panel urządzenia zgodnie z kierunkiem strzałek.
2. Trzymając panel przedni uniesiony jedną ręką, wyjmij filtr powietrza drugą ręką.
3. Wyczyść filtr pod bieżącą wodą, jeśli jest on zabrudzony olejem, można myć go ciepłą wodą (nie przekraczającą 45°C). Pozostaw do wyschnięcia w chłodnym i suchym miejscu.
4. Trzymając panel przedni uniesiony jedną ręką, włóż filtr powietrza drugą ręką.
5. Zamknij przedni panel urządzenia.

Filtr elektrostatyczny oraz inne filtry (jeśli są zainstalowane) nie mogą być myte ani regenerowane i muszą być wymieniane na nowe co 6 miesięcy.



Rys. 6

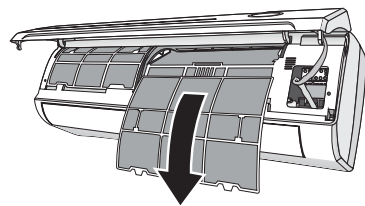


Rys. 7

Filtr przeciwpylewy

2. CZYSZCZENIE WYMIENNIKA CIEPŁA

1. Otwórz przedni panel urządzenia, aż osiągnie największy kat nachylenia, a następnie odcep go od zawiasów.
2. Wyczyść jednostkę wewnętrzną szmatką z wodą i neutralnym mydłem. Nigdy nie używaj agresywnych rozpuszczalników lub detergentów.
3. Jeśli jednostka zewnętrzna jest zatkana, usuń liście, odpady i kurz strumieniem powietrza lub odrobiną wody.



Rys. 8

3. KONSERWACJA PO ZAKOŃCZENIU SEZONU

1. Odłącz automatyczny przełącznik lub wtyczkę urządzenia.
2. Wyczyść i wymień filtry.
3. W słoneczny dzień klimatyzator powinien pracować przez kilka godzin w trybie "tylko wentylator", tak aby wewnątrz urządzenia mogło całkowicie wyschnąć.

4. WYMIANA BATERII

Jeżeli nie słycać sygnału potwierdzenia z jednostki wewnętrznej lub wyświetlacz LCD nie działa, może trzeba wymienić baterie. W tym celu zdejmij pokrywę z tyłu pilota i umieść nowe baterie zgodnie z symbolami + i -. Używaj tylko nowych baterii i wymieniaj je tylko jeśli klimatyzator jest wyłączony



OSTRZEŻENIE

Nie wyrzucaj baterii do zwykłych śmieci, należy je wyrzucać do specjalnych pojemników znajdujących się w punktach zbiórki.

CZĘŚĆ 3. ROZWIĄZYWANIE PROBLEMÓW

1. MOŻLIWE USTERKI

Awaria	Możliwe przyczyny
Urządzenie nie działa	Wystąpiła awaria zasilania / uszkodzona wtyczka
	Uszkodzony silnik wentylatora jednostki wewnętrznej / zewnętrznej
	Wadliwy wyłącznik termomagnetyczny sprężarki
	Wadliwe urządzenie ochronne lub bezpieczniki
	Zbyt luźne podłączenia lub niedociśnięta wtyczka
	Automatyczne wyłączenie urządzenia, funkcja autoochrony.
	Napięcie wyższe lub niższe niż zalecane
	Aktywna funkcja TIMER ON
	Uszkodzenie płyty głównej
Dziwny zapach	Filtr powietrza jest brudny
Dźwięk płynącej wody	Cofanie się cieczy w odpływie kroplin
Z wylotu powietrza wydobywa się drobna mgła	Dzieje się tak, gdy powietrze w pomieszczeniu staje się bardzo zimne, na przykład w trybach CHŁODZENIE lub OSUSZANIE
Słyszeć dziwny hałas	Hałas ten powstaje w wyniku rozszerzania lub kurczenia się panelu przedniego z powodu zmian temperatury, nie oznacza problemu
Niewystarczający przepływ powietrza, zbyt gorący lub zimny	Niewłaściwe ustawienie temperatury.
	Wlot powietrza lub odpływ jednostki wewnętrznej lub zewnętrznej został zablokowany
	Filtr powietrza jest zablokowany
	Prędkość wentylatora ustawiona jest na minimum
	Inne źródła ciepła w pokoju
	Brak czynnika chłodniczego
Urządzenie nie reaguje na polecenia	Pilot jest nie wystarczająco blisko jednostki wewnętrznej
	Wyczerpanie baterii w pilocie
	Między pilotem a odbiornikiem sygnału w jednostce wewnętrznej jest przeszkoda
Wyświetlacz jest wyłączony	Aktywna funkcja LED
	Brak zasilania

CZĘŚĆ 3. ROZWIĄZYWANIE PROBLEMÓW



OSTRZEŻENIE

Natychmiast wyłącz klimatyzator i odłącz zasilanie jeśli występuje/występują:

- Dziwne dźwięki podczas pracy
- Wadliwa płyta główna
- Wadliwy bezpiecznik/ przełącznik
- Wrzucanie wody lub elementów wewnątrz urządzenia
- Przegrzane kable lub wtyczki.
- Z urządzenia wydobywają się bardzo silne zapachy

2. SYGNAŁY BŁĘDU NA WYŚWIETLACZU

W przypadku wystąpienia błędu w urządzeniu wyświetlacz pokaże komunikat w formie kodu:

KOD	Reakcja diod LED	Opis problemu
E1	Miga raz	Błąd czujnika temperatury wewnętrznej
E2	Miga dwa razy	Błąd czujnika temperatury instalacji wewnętrznej
E6	Miga sześć razy	Awaria silnika wentylatora wewnętrznego

ZAŁĄCZNIK DOTYCZĄCY CZYNNIKA CHŁODNICZEGO R290/R32

SPECJALNE INFORMACJE DOTYCZĄCE URZĄDZEŃ Z CZYNNIKIEM CHŁODNICZYM R290 / R32.

- Dokładnie przeczytać wszystkie ostrzeżenia.
- Podczas rozmrażania i czyszczenia urządzenia nie używać narzędzi innych niż zalecane przez producenta.
- Urządzenie należy umieścić w miejscu bez ciągłego źródła zapłonu (np. otwartego ognia, pracujących urządzeń gazowych lub elektrycznych).
- Nie przebiegać ani nie spalać.
- Urządzenie zawiera czynnik chłodniczy R290 / R32 (patrz tabliczka znamionowa z tyłu urządzenia).
- R290 / R32 to czynnik chłodniczy, który spełnia dyrektywy europejskie dotyczące środowiska. Nie przebiegać żadnej części obwodu czynnika chłodniczego. Czynnik chłodniczy nie może wydzielać woni.
- Jeśli urządzenie jest zamontowane, używane i przechowywane w miejscu bez wentylacji, pomieszczenie musi być zaprojektowane tak, aby zapobiegać gromadzeniu się wyciekającego czynnika chłodniczego, powodującego zagrożenie pożarem lub wybuchem z powodu zapłonu czynnika chłodniczego spowodowanego przez grzejniki elektryczne, piece lub inne źródła zapłonu.
- Urządzenie musi być przechowywane w taki sposób, aby unikać mechanicznego uszkodzenia.
- Osoby, które obsługują lub mają styczność z obwodem z czynnikiem chłodniczym muszą mieć odpowiednie certyfikaty wydane przez akredytowane organizacje, które szkolą w zakresie obsługi czynnika chłodniczego, zgodnie z określoną oceną uznaną przez organizacje w przemyśle.
- Naprawy muszą być wykonywane w oparciu o zalecenia producenta.

Konserwacja i naprawy wymagające pomocy innych wykwalifikowanych pracowników powinny być wykonywane pod nadzorem osoby kompetentnej w zakresie używania łatwopalnych czynników chłodniczych.

Urządzenie powinno być zamontowane, obsługiwane i przechowywane w pomieszczeniu o powierzchni większej niż 4 m². Urządzenie powinno być przechowywane w dobrze wentylowanym pomieszczeniu, którego wielkość pomieszczenia odpowiada powierzchni pomieszczenia określonej dla pracy.

INSTRUKCJE NAPRAWY URZĄDZEŃ ZAWIERAJĄCYCH R290 / R32

1. INSTRUKCJE OGÓLNE

Niniejsza instrukcja jest przeznaczona dla osób posiadających odpowiednie doświadczenie w zakresie elektrycznym, elektronicznym i mechanicznym.

1.1. Kontrola miejsca

Przed rozpoczęciem pracy przy układach zawierających łatwopalne czynniki chłodnicze konieczne są kontrole bezpieczeństwa, aby upewnić się, że zminimalizowano ryzyko zapłonu. W celu naprawy układu z czynnikiem chłodniczym przed wykonaniem pracy należy przestrzegać poniższych środków ostrożności.

1.2. Procedura pracy

Pracę należy podjąć w ramach kontrolowanej procedury, aby zminimalizować ryzyko obecności łatwopalnego gazu lub oparów w czasie wykonywanej pracy.

1.3. Ogólny obszar pracy

Cały personel odpowiedzialny za konserwację oraz pozostałe osoby pracujące na miejscu należy zapoznać z charakterem wykonywanej pracy. Należy unikać prac w ograniczonych obszarach. Obszar wokół miejsca pracy musi być odcięty. Upewnić się, że warunki w miejscu pracy są bezpieczne pod kątem kontroli materiałów łatwopalnych.

ZAŁĄCZNIK DOTYCZĄCY CZYNNIKA CHŁODNICZEGO R290/R32

1.4. Kontrola obecności czynnika chłodniczego.

Obszar należy sprawdzić za pomocą odpowiedniego czujnika czynnika chłodniczego przed i w czasie pracy, aby technik miał wiedzę o potencjalnie wybuchowej atmosferze. Upewnić się, że używany sprzęt do wykrywania wycieków nadaje się do użycia z łatwopalnymi czynnikami chłodniczymi, tj. beziskrowy, odpowiednio uszczelniony lub samoistnie bezpieczny.

1.5. Obecność gaśnicy

Jeśli przy sprzęcie z czynnikiem chłodniczym lub powiązanych częściach wykonywane są jakiegokolwiek prace na gorąco, musi być dostępny sprzęt ochrony przeciwpożarowej. W pobliżu miejsca ładowania musi znajdować się gaśnica proszkowa lub z CO₂.

1.6. Brak źródeł zapłonu

Żadna osoba, wykonująca pracę przy układzie z czynnikiem chłodniczym, który obejmuje wystawienie jakiegokolwiek rury, która zawiera lub zawierała łatwopalny czynnik chłodzący, nie może używać źródeł zapłonu w taki sposób, który może doprowadzić do ryzyka powstania pożaru lub wybuchu. Wszystkie źródła zapłonu, w tym palenie papierosów, należy trzymać odpowiednio daleko od miejsca montażu, naprawy, demontażu i utylizacji, gdzie łatwopalny czynnik chłodniczy może być wypuszczony do otoczenia. Przed przystąpieniem do pracy, obszar wokół sprzętu należy zabezpieczyć, aby upewnić się, że nie ma zagrożenia zapłonem. Należy wywiesić znaki „Zakaz palenia”.

1.7. Miejsca z wentylacją

Upewnić się, że obszar jest na otwartym powietrzu lub że ma odpowiednią wentylację przed dostaniem się do układu lub wykonaniem pracy na gorąco. Wentylacja musi działać podczas wykonywanej pracy. Wentylacja musi bezpiecznie rozpraszać jakikolwiek wypuszczony czynnik chłodniczy, a najlepiej go na zewnątrz do atmosfery.

1.8. Kontrola sprzętu chłodzącego

Gdy wymieniane są podzespoły elektryczne, należy je zamontować zgodnie z przeznaczeniem i zgodnie ze specyfikacją. Przez cały czas należy przestrzegać wytycznych producenta dotyczących konserwacji i serwisowania. W przypadku wątpliwości należy skonsultować się z działem technicznym w celu uzyskania pomocy. Należy wykonać następujące kontrole instalacji wykorzystujących łatwopalne czynniki chłodnicze: - wielkość doładowania zależy od wielkości pomieszczenia, w którym zamontowane są części zawierające czynnik chłodniczy;

- maszyny wentylacyjne i wyloty prawidłowo działają i nie są zasłonięte;
- jeśli używany jest pośredni obwód chłodniczy, pomocniczy układ musi należy sprawdzić pod kątem obecności czynnika chłodniczego;
- oznakowanie sprzętu przez cały czas jest widoczne i czytelne. Oznaczeni i znaki, które są nieczytelne należy wymienić;
- rura chłodząca lub podzespoły są zamontowane w pozycji, gdzie jest mało prawdopodobne, że będą wystawione na działanie substancji, które mogą powodować korozję podzespołów zawierających czynnik chłodniczy, chyba że podzespoły są wykonane z materiałów, które są odporne na korozję lub są odpowiednio zabezpieczone przed korozją.

1.9. Kontrole urządzeń elektrycznych

Naprawa i konserwacja podzespołów elektrycznych musi obejmować kontrole bezpieczeństwa i procedury kontroli podzespołów. Jeśli istnieje usterka mogąca wpływać na bezpieczeństwo, nie wolno podłączać zasilania elektrycznego do obwodu aż usterka zostanie usunięta. Jeśli nie można natychmiast usunąć usterki, ale konieczne jest kontynuowanie pracy, należy zastosować odpowiednie rozwiązanie tymczasowe. Należy to zgłosić do właściciela sprzętu, aby wszystkie strony postępowania o tym wiedziały. Kontrole podstawowego bezpieczeństwa muszą obejmować:

- że kondensatory są wymieniane: należy to zrobić w bezpieczny sposób, aby uniknąć możliwego

ZAŁĄCZNIK DOTYCZĄCY CZYNNIKA CHŁODNICZEGO R290/R32

- powstania iskier;
- że nie ma odkrytych podzespołów elektrycznych ani przewodów pod napięciem w czasie ładowania, odzyskiwania lub opróżniania układu;
- że jest ciągłość obwodu uziemienia.

2. NAPRAWA SZCZELNYCH PODZESPOŁÓW

2.1. Podczas napraw podzespołów szczelnych, należy odłączyć całe zasilanie elektryczne od urządzenia, przy którym jest wykonywana praca, przed usunięciem szczelnych pokryw itp. Absolutnie konieczne jest podłączone zasilanie elektryczne do sprzętu podczas serwisowania, następnie ciągła praca wykrywania wycieków musi znajdować się w najbardziej kluczowym miejscu, aby ostrzec przed potencjalnie niebezpieczną sytuacją.

2.2. Szczególną uwagę należy zwrócić na poniższe elementy, aby upewnić się, że pracując przy podzespołach elektrycznych, obudowa nie została zmieniona w taki sposób, aby miało to wpływ na poziom ochrony. Musi to obejmować uszkodzenie przewodów, nadmierną liczbę połączeń, zaciski niewykonane zgodnie ze specyfikacją, uszkodzenia uszczelnień, nieprawidłowe mocowanie dławnic itp.

Upewnić się, że przyrząd jest prawidłowo zamontowany.

Upewnić się, że uszczelnienia lub materiały uszczelniające nie uległy degradacji, np. przestały mieć właściwości zapobiegające dostaniu się łatwopalnej atmosfery. Części wymienne muszą być zgodne ze specyfikacjami producenta.

UWAGA: Użycie uszczelnienia silikonowego może ograniczyć skuteczność niektórych rodzajów sprzętu do wykrywania wycieków. Iskrobezpieczne podzespoły nie muszą być izolowane przed rozpoczęciem przy nich pracy.

3. NAPRAWA ISKROBEZPIECZNYCH PODZESPOŁÓW

Nie należy stosować żadnych stałych obciążeń indukcyjnych lub pojemnościowych do obwodu bez upewnienia się, że nie przekroczy ono dopuszczalnego napięcia i prądu dla używanego sprzętu.

Iskrobezpieczne podzespoły są jedynymi typami, które mogą pracować pod napięciem w obecności atmosfery łatwopalnej. Sprzęt testowy musi mieć odpowiednią wartość znamionową.

Podzespoły wymieniać tylko na części określone przez producenta. Inne części mogą skutkować zapłonem czynnika chłodniczego w atmosferze z powodu wycieku.

4. OKABLOWANIE

Sprawdzić, czy okablowanie nie jest poddawane zużyciu, korozji, nadmiernemu naciskowi, drganiom, działaniu ostrych krawędzi lub innych czynników środowiskowych. Kontrola powinna również uwzględniać skutki starzenia się lub ciągłych drgań pochodzących od sprzężarek i wentylatorów.

5. WYKRYWANIE ŁATOWPALNYCH CZYNNIKÓW CHŁODNICZYCH

Pod żadnym pozorem nie wolno używać potencjalnych źródeł zapłonu jako sposobu na wyszukiwanie lub wykrywanie wycieków czynnika chłodniczego. Nie wolno używać palnika halogenkowego (ani żadnego innego detektora wykorzystującego otwarty ogień).

6. SPOSOBY WYKRYWANIA NIESZCZELNOŚCI

Poniższe sposoby wykrywania nieszczelności są uważane za dopuszczalne dla układów zawierających łatwopalne

ZAŁĄCZNIK DOTYCZĄCY CZYNNIKA CHŁODNICZEGO R290/R32

czynniki chłodnicze. Należy używać elektronicznych detektorów nieszczelności, aby wykryć łatwopalne czynniki chłodnicze, ale czułość może być niewystarczająca lub mogą wymagać kalibracji. (Sprzęt do wykrywania należy kalibrować w miejscu wolnym od czynnika chłodniczego).

Upewnić się, że detektor nie stanowi potencjalnego źródła zapłonu i nadaje się do użytego czynnika chłodniczego. Urządzenie do wykrywania nieszczelności powinno być ustawione na procent LFL czynnika chłodniczego, skalibrowane do zastosowanego czynnika chłodniczego i powinna być potwierdzona odpowiednia zawartość procentowa gazu (25% maksimum).

Płyny do wykrywania nieszczelności nadają się do stosowania z większością czynników chłodniczych, ale należy unikać stosowania detergentów zawierających chlor, ponieważ chlor może reagować z czynnikiem chłodniczym i powodować korozję miedzianych przewodów rurowych.

Jeśli zachodzi podejrzenie nieszczelności, należy pozbyć się/zgasić każdy otwarty ogień.

Jeśli wykryty zostanie wyciek czynnika chłodniczego, który wymaga lutowania, cały czynnik chłodniczy należy odzyskać z układu lub odizolować go (za pomocą zaworów odcinających) w części systemu oddalonej od wycieku. Beztlenowy azot (OFN) należy następnie przedmuchać przez system zarówno przed, jak i w trakcie procesu lutowania.

7. USUWANIE I OPRÓŻNIANIE

Podczas otwierania obwodu czynnika chłodniczego w celu dokonania napraw lub w jakimkolwiek innym celu należy zastosować konwencjonalne procedury. Ważne jest jednak, aby stosować najlepsze praktyki, ponieważ brana jest pod uwagę łatwopalność. Należy zastosować poniższą procedurę: usunąć czynnik chłodniczy; oczyścić obwód gazem obojętnym; opróżnić; ponownie oczyścić gazem obojętnym; otworzyć obwód przez cięcie lub lutowanie.

Czynnik chłodniczy z układu należy odzyskać do właściwych butli odzyskowych. Układ należy „wypłukać” za pomocą OFN, aby zabezpieczyć jednostkę. Ten proces może wymagać kilkukrotnego powtórzenia. Do tego zadania nie należy używać sprężonego powietrza ani tlenu. Płukanie należy wykonać przez zastosowanie próżni w układzie za pomocą OFN i kontynuowanie napełniania aż do osiągnięcia ciśnienia roboczego, a następnie wypuszczenie do atmosfery, a na koniec odessanie do próżni. Ten proces należy powtórzyć aż w układzie nie pozostanie czynnik chłodniczy.

Gdy zostanie ostatni raz użyty OFN, układ należy dostosować do ciśnienia atmosferycznego, aby umożliwić pracę. Ta operacja jest absolutnie niezbędna, jeśli mają zostać wykonane operacje lutowania na rurociągu. Upewnić się, że wylot pompy próżniowej nie znajduje się w pobliżu żadnych źródeł zapłonu i jest dostępna wentylacja.

8. PROCEDURA ŁADOWANIA

Oprócz konwencjonalnych procedur ładowania należy przestrzegać następujących wymagań. Upewnić się, że zanieczyszczenie różnymi czynnikami chłodniczymi nie występuje podczas korzystania z urządzeń do ładowania. Węże lub przewody powinny być jak najkrótsze, aby zminimalizować ilość zawartego w nich czynnika chłodniczego. Butle należy przechowywać w pozycji pionowej. Upewnić się, że układ czynnika chłodniczego jest uziemiony przed ładowaniem czynnika chłodniczego. Oznakować układ po zakończeniu ładowania (jeśli jeszcze nie jest). Należy zachować szczególną ostrożność, aby nie przepelnić układu chłodzenia. Przed ponownym naładowaniem układu należy przeprowadzić próbę ciśnieniową z OFN. Układ należy poddać próbie szczelności po zakończeniu ładowania, ale przed uruchomieniem. Przed opuszczeniem terenu należy przeprowadzić test szczelności.

9. WYCOFANIE Z UŻYTKOWANIA

Przed wykonaniem tej procedury ważne jest, aby technik był całkowicie zaznajomiony z urządzeniem i wszystkimi jego szczegółami.

ZAŁĄCZNIK DOTYCZĄCY CZYNNIKA CHŁODNICZEGO R290/R32

Zaleca się dobrą praktykę bezpiecznego odzyskiwania wszystkich czynników chłodniczych. Przed wykonaniem zadania należy pobrać próbkę oleju i czynnika chłodniczego na wypadek konieczności przeprowadzenia analizy przed ponownym użyciem odzyskanego czynnika chłodniczego.

Istotne jest, aby moc elektryczna o pojemności 4 GB była dostępna przed rozpoczęciem zadania.

- a. Zapoznać się ze sprzętem i jego działaniem
- b. Odizolować układ elektrycznie.
- c. Przed przystąpieniem do procedury należy upewnić się, że: w razie potrzeby dostępne są mechaniczne urządzenia do przenoszenia butli z czynnikiem chłodniczym.
- d. Wszystkie środki ochrony osobistej są dostępne i używane prawidłowo. Proces odzyskiwania jest przez cały czas nadzorowany przez kompetentną osobę;
- e. Sprzęt do odzyskiwania i butle są zgodne z odpowiednimi normami.
- f. Jeśli to możliwe, wypompować z układu czynnik chłodniczy.
- g. Jeśli próżnia nie jest możliwa, wykonać rozdzielacz, aby czynnik chłodniczy mógł zostać usunięty z różnych części układu.
- h. Upewnić się, że butla zostanie umieszczona na wadze przed odzyskaniem.
- i. Uruchomić maszynę do odzyskiwania i działać zgodnie z instrukcjami producenta.
- j. Nie przepelniać butli. (Nie więcej niż 80% objętości cieczy).
- k. Nie przekraczać maksymalnego ciśnienia roboczego butli, nawet chwilowo.
- l. Po prawidłowym napełnieniu butli i zakończeniu procesu upewnić się, że butle i sprzęt są natychmiast usuwane z miejsca i wszystkie zawory odcinające na urządzeniu są zamknięte.
- m. Odzyskany czynnik chłodniczy nie powinien być ładowany do innego układu chłodniczego, chyba że został oczyszczony i sprawdzony.

10. OZNAKOWANIE

Sprzęt powinien być oznakowany informacją, że został wycofany z eksploatacji i opróżniony z czynnika chłodniczego. Etykieta musi być opatrzona datą i podpisana. Upewnić się, że na urządzeniu znajdują się etykiety informujące, że urządzenie zawiera łatwopalny czynnik chłodniczy.

11. ODZYSKIWANIE

Przy usuwaniu czynnika chłodniczego z układu, w celu serwisowania lub likwidacji, zaleca się dobrą praktykę, aby wszystkie czynniki chłodnicze zostały bezpiecznie usunięte. Podczas przenoszenia czynnika chłodniczego do butli należy upewnić się, że używane są tylko odpowiednie butle do odzyskiwania czynnika chłodniczego. Upewnić się, że dostępna jest prawidłowa liczba butli do utrzymania całkowitego ładunku układu. Wszystkie używane butle są przeznaczone dla odzyskanego czynnika chłodniczego i oznakowane dla tego czynnika chłodniczego (tj. specjalne butle do odzyskiwania czynnika chłodniczego). Butle powinny być kompletne z zaworem bezpieczeństwa i odpowiednimi zaworami odcinającymi w dobrym stanie. Puste butle odzyskowe są opróżniane i, jeśli to możliwe, chłodzone przed odzyskaniem.

Sprzęt do odzyskiwania powinien być w dobrym stanie technicznym wraz z zestawem instrukcji dotyczących sprzętu, który jest pod ręką i powinien być odpowiedni do odzyskiwania łatwopalnych czynników chłodniczych. Ponadto dostępny jest zestaw skalibrowanych wag, które są sprawne. Węże powinny być kompletne ze szczelnymi złączami rozłączającymi i w dobrym stanie. Przed użyciem maszyny do odzyskiwania należy sprawdzić, czy jest ona w dobrym stanie technicznym, czy jest prawidłowo konserwowana i czy wszelkie powiązane elementy elektryczne są uszczelnione, aby zapobiec zapłonowi w przypadku uwolnienia czynnika chłodniczego. W razie wątpliwości skonsultować się z producentem.

Odzyskany czynnik chłodniczy należy zwrócić do dostawcy czynnika chłodniczego w odpowiedniej butli odzyskowej i zadbać o odpowiednią notatkę przekazania odpadów. Nie mieszać czynników chłodniczych w urządzeniach do odzysku, a zwłaszcza w butlach.

Jeśli sprężarki lub oleje sprężarkowe mają zostać usunięte, należy upewnić się, że zostały one spuszczonego

ZAŁĄCZNIK DOTYCZĄCY CZYNNIKA CHŁODNICZEGO R290/R32

do dopuszczalnego poziomu, aby upewnić się, że łatwopalny czynnik chłodniczy nie pozostaje w środku smarnym. Proces usuwania należy przeprowadzić przed zwrotem sprężarki do dostawcy. Aby przyspieszyć ten proces, można zastosować tylko ogrzewanie elektryczne korpusu sprężarki. Gdy olej jest odprowadzany z układu, należy go bezpiecznie przeprowadzić.

email: info@rotenso.com



INSTALLER STAMP

rotenso.com