



ENG

LCAC R32 SERIES

Tenji W
Jato W
Nevo W

**Service
manual**

LCAC R32 SERIES

Service manual

Contents

SAFETY PRECAUTIONS	3
PART 1. GENERAL INFORMATION	4
Model Lists.....	4
External Appearance.....	5
Nomenclature.....	6
PART 2. INDOOR UNITS	7
Tenji - Super Slim Cassette Type	7
Nevo - Duct Type	19
Jato - Ceiling & Floor Type	32
PART 3. OUTDOOR UNITS	45
PART 4. INSTALLATION	54
Installation Procedure	54
Location selection.....	55
Indoor unit installation	56
Tenji - Super slim cassette indoor unit installation.....	56
Nevo - duct indoor unit installation.....	60
Jato - Ceiling & floor indoor unit installation.....	64
Outdoor unit installation (Side Discharge Unit).....	67
PART 5. ELECTRICAL CONTROL SYSTEM	81
PART 6. TROUBLESHOOTING	92
PART 7. CAPACITY TABLES	118
PART 8. APPENDIX	128



CAUTION: Risk of fire/flammable material

The specifications, designs, and information in this book are subject to change without notice for product improvement.

SAFETY PRECAUTIONS

WARNING

Only qualified personnel should install and service the equipment. The installation, starting up, and servicing of heating, ventilating, and air-conditioning equipment can be hazardous and requires specific knowledge and training. Improperly installed, adjusted or altered equipment by an unqualified person could result in death or serious injury. When working on the equipment, observe all precautions in the literature and on the tags, stickers, and labels that are attached to the equipment.

Read the following if you use the device in European countries:

The device can not be operated by children over 7 years old, disabled people and oraz people without experience and knowledge. Instructions should include a description of the correct and safe handling of the device and oraz information about possible dangers. Children should not play with the device. Cleaning and servicing should be carried out by authorized persons.

UTILIZATION:

Do not dispose of this product together with unsorted municipal waste.

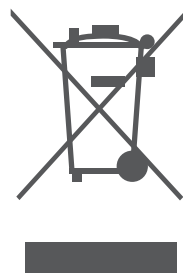
It's necessary to transfer this type of waste for special processing.

It's illegal to throw the device together with other household waste.

There are several ways to get rid of this type of equipment:w

- A. The city organizes electronic waste collection, you can pass the device without the cost.
- B. When you buy a new device the seller will accept the old device without any fees.
- C. Manufacturer will take the product from buyer produkt without charging it with costs.
- D. Products of this type, contains valuable elements, it can be sold sprzedane on purchase of metals.

Throwing the device „on wild” exposes you to the risk of losing your health. Dangerous substances from the device can penetrate to groundwater screating a danger of getting through to people's food chain.



PART 1. GENERAL INFORMATION

1. MODEL LISTS

1.1 Indoor Units

R32 (capacity multiplied by 1000Btu/h)

Type	Function	18	24	36	48	55
Tenji - Super slim cassette	Cooling and heating		•	•	•	•
Nevo - Duct	Cooling and heating	•	•	•	•	•
Jato - Ceiling-floor	Cooling and heating	•	•	•	•	•



1.2 Outdoor Units

BTU	Outdoor unit Model	Compressor type	Compresso48	Matched indoor units
18k	N50Wo	Rotary	GMCC	N50Wi
	J50Wo	Rotary	GMCC	J50Wi
24k	N70Wo	Rotary	GMCC	N70Wi
	T70Wo	Rotary	GMCC	T70Wi
	J70Wo	Rotary	GMCC	J70Wi
36k	N100Wo	Rotary	GMCC	N100Wi
	T100Wo	Rotary	GMCC	T100Wi
	J100Wo	Rotary	GMCC	J100Wi
48k	N140Wo	Rotary	GMCC	N140Wi
	T140Wo	Rotary	GMCC	T140Wi
	J140Wo	Rotary	GMCC	J140Wi
55k	N160Wo	Rotary	GMCC	N160Wi
	T160Wo	Rotary	GMCC	T160Wi
	J160Wo	Rotary	GMCC	J160Wi

PART 1. GENERAL INFORMATION**2. EXTERNAL APPEARANCE****2.1 Indoor Units**

Super slim cassette (Tenji)	Duct (Nevo)
 A square, white, super-slim cassette indoor unit with a central grille and four directional louvers.	 A long, rectangular, white duct indoor unit with a blue grille and a black duct opening.
Ceiling-Floor (Jato)	
 A rectangular, white ceiling-floor indoor unit with a black grille and a black duct opening.	

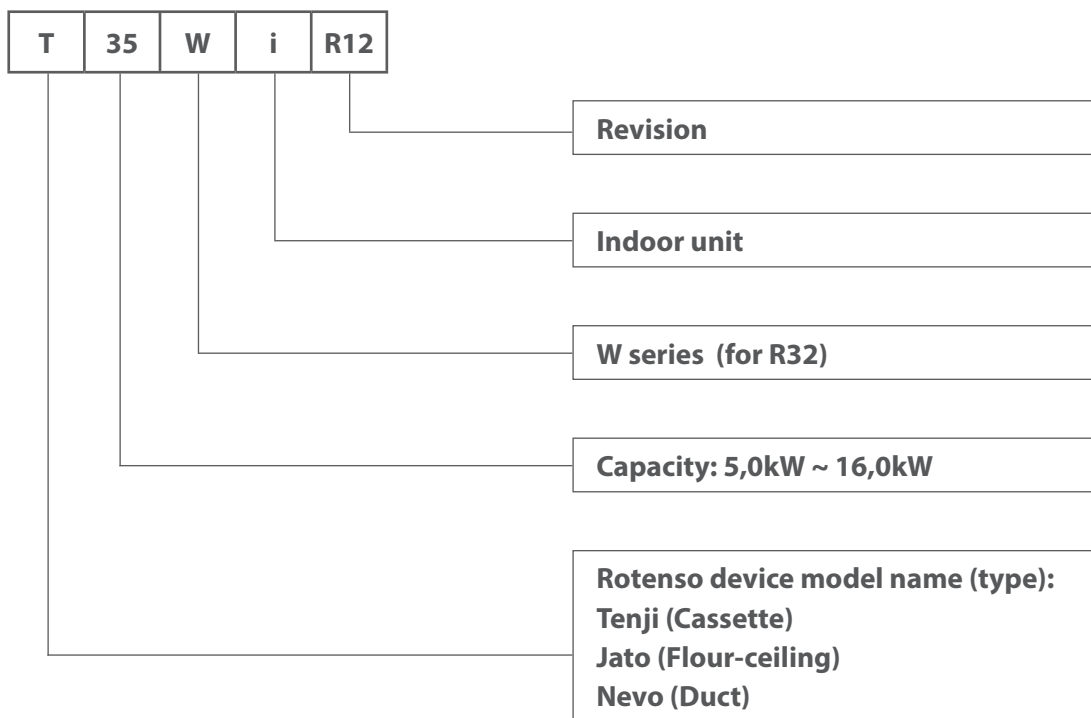
2.2 Outdoor Units

Single fan outdoor unit	Double fan outdoor uni
 A white outdoor unit with a single large fan and a red logo on the side.	 A white outdoor unit with two fans stacked vertically and a red logo on the side.

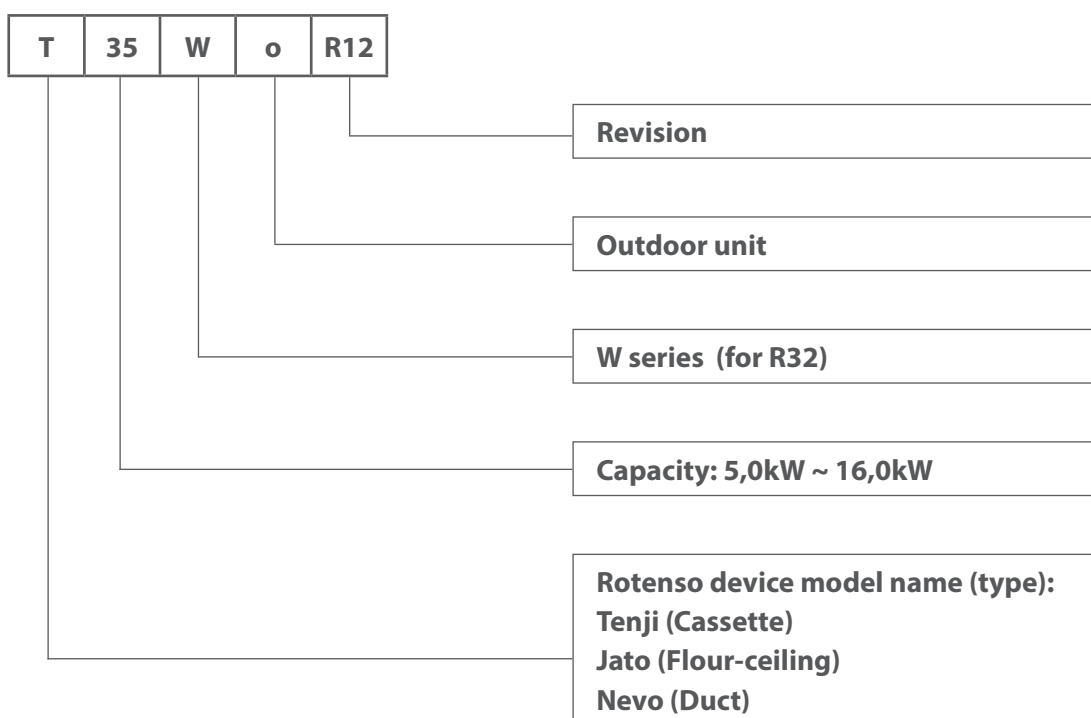
PART 1. GENERAL INFORMATION

3. NOMENCLATURE

3.1 Indoor Units



3.2 Outdoor Units



PART 2. INDOOR UNITS

1. TENJI - SUPER SLIM CASSETTE TYPE

1.1 FEATURES

1.1.1 Overview

- Compact design, super slim body size, less space requiring in installation
- Each louver can be separately controlled, more comfort air blowing is possible.
- Auto-lifting panel design, more convenient to clean and maintain the filter. (optional).

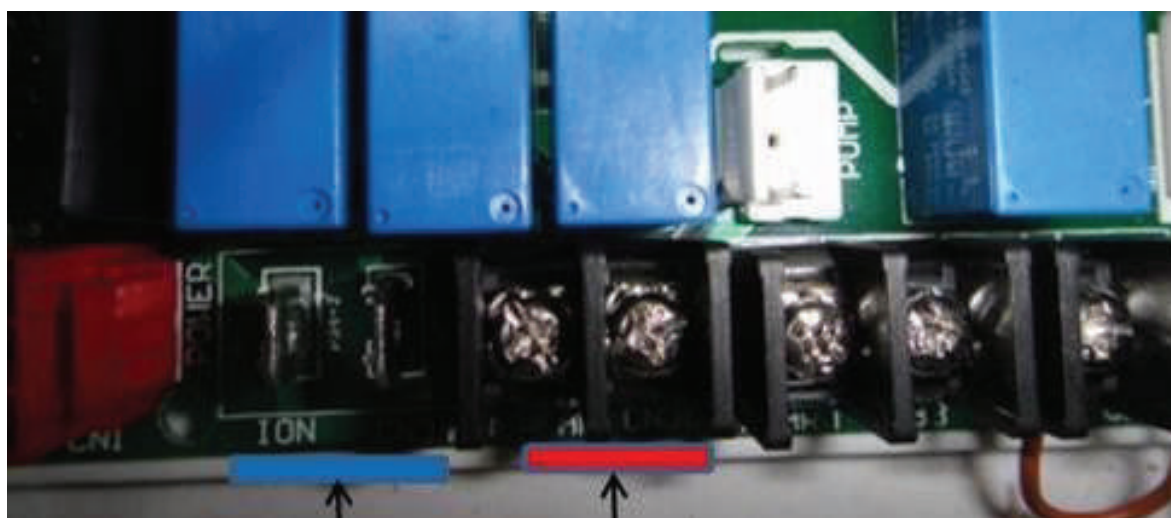
1.1.2 Fresh air intake function

- Fresh air fulfills air quality more healthy and comfortable.
- Ventilation motor is optional to increase the effect of fresh air



1.1.3 Optional ionizer generator

- Ionizer generator is optional to get refreshing air to your room.



Ionizer generator
connector

Ventilation motor
connector

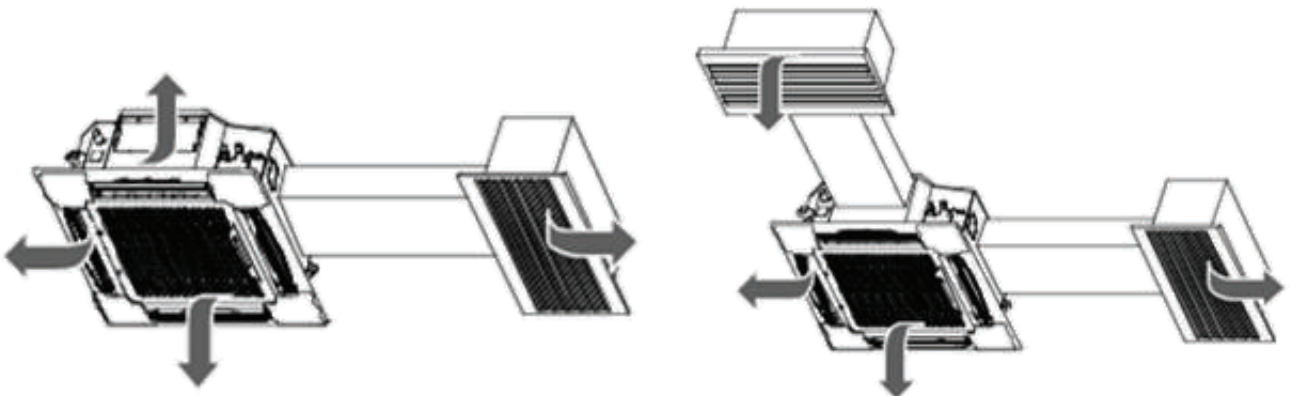
PART 2. INDOOR UNITS

- Ionizer can be switched on or off by remote controller.
When pressing the Clean Air button on the remote controller, Ionizer will work and the indicator light on display board will shine.



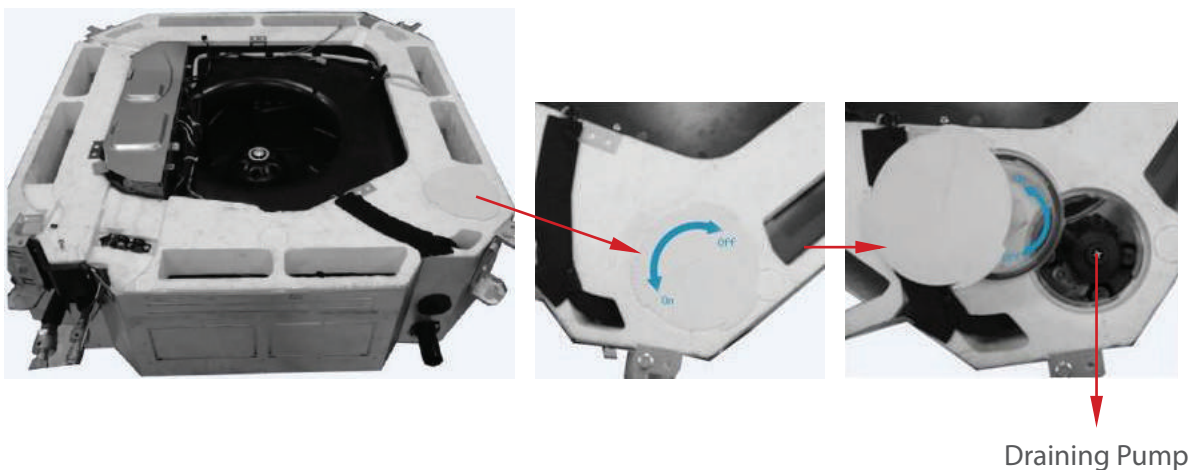
1.1.4 External air duct design

- Reserve external air duct, more flexible for the air supply



1.1.5 Built-in draining pump

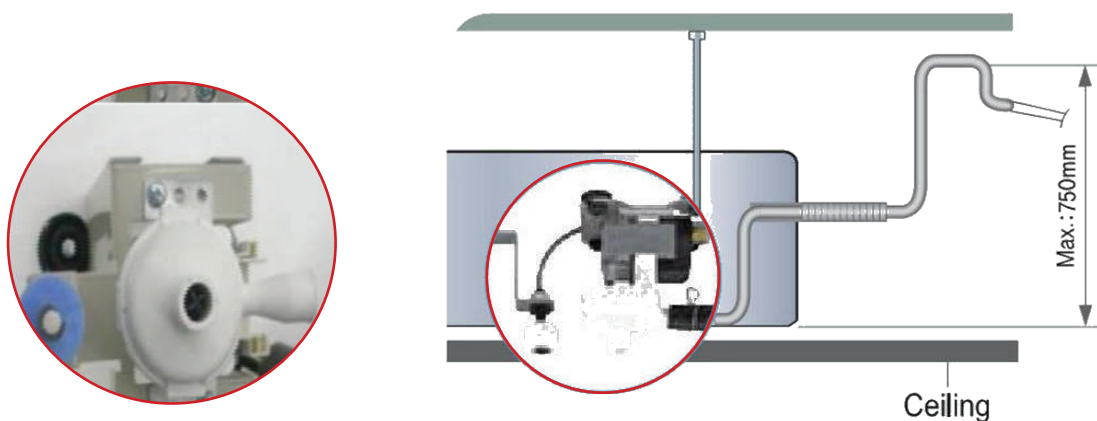
- Due to the improvement of structure, more convenient to repair or replace the draining pump



Draining Pump

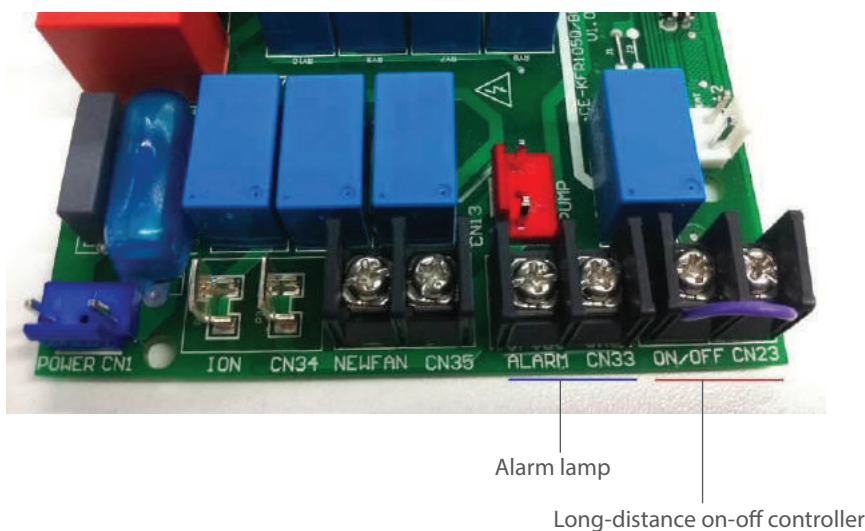
PART 2. INDOOR UNITS

- Due to the improvement of structure, more convenient to repair or replace the draining pump



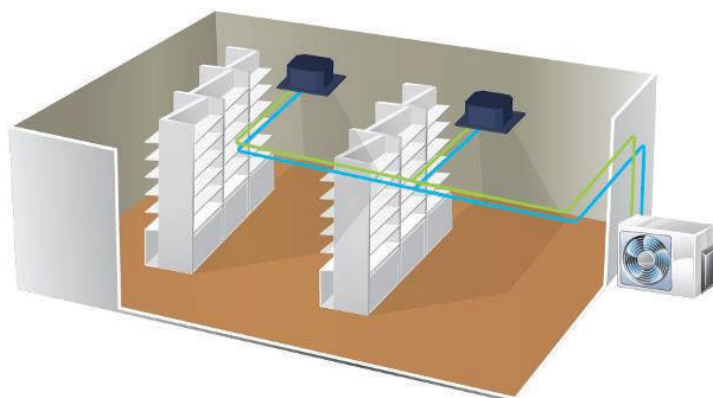
1.1.6 Terminals for alarm lamp and long-distance on-off controller connection are standard

- Reserve terminals for the connection of alarm lamp and long-distance on-off controller, more human control.



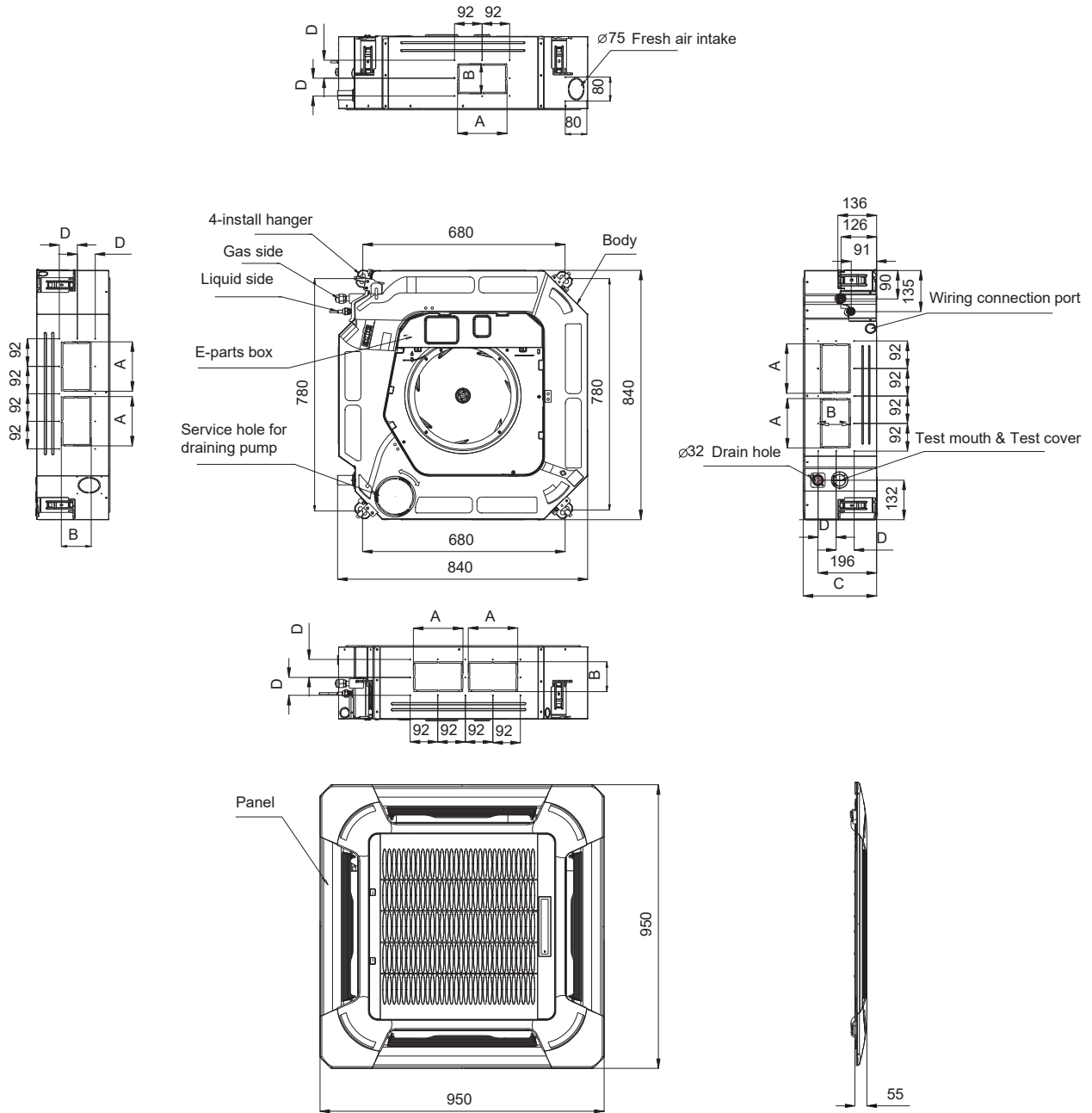
1.1.7 Twins Combination (18k-30k)

- The units can be installed as Twin systems: one outdoor unit can connect with two indoor units. The indoor units can be combined in any of the different available ratings.



PART 2. INDOOR UNITS

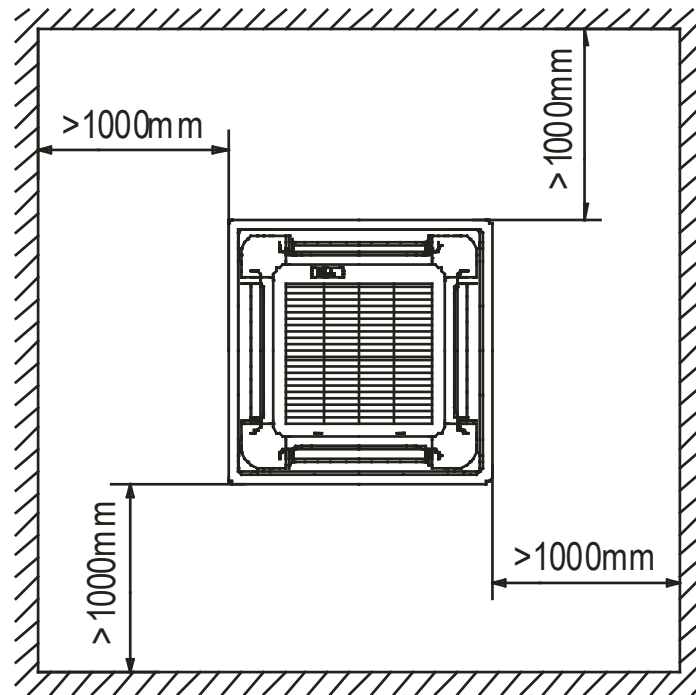
1.2 DIMENSIONS



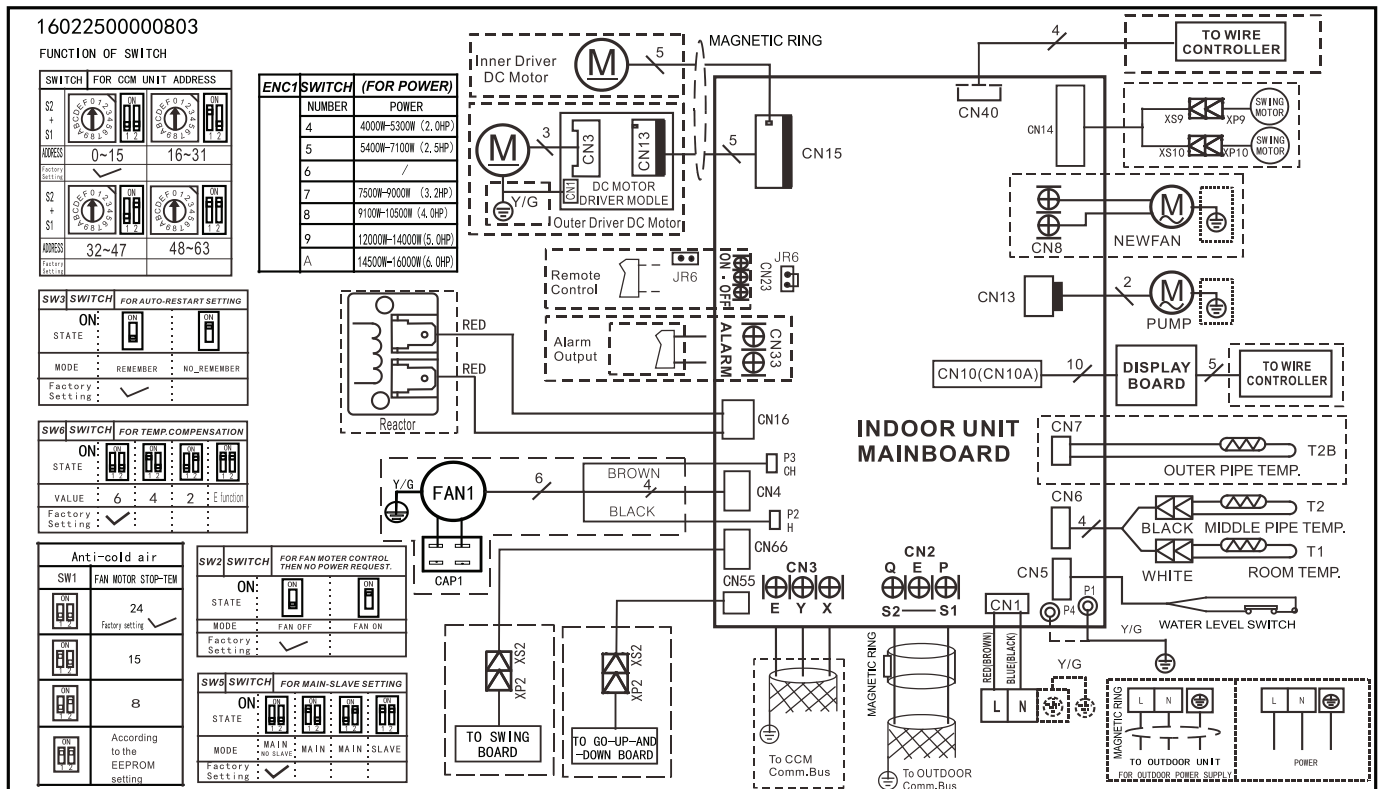
				Unit: mm
Model (kBtu/h)	A	B	C	D
18	160	75	205	50
24~36	160	95	245	60
48~55	160	95	287	60

PART 2. INDOOR UNITS

1.3 SERVICE SPACE



1.4 WIRING DIAGRAMS

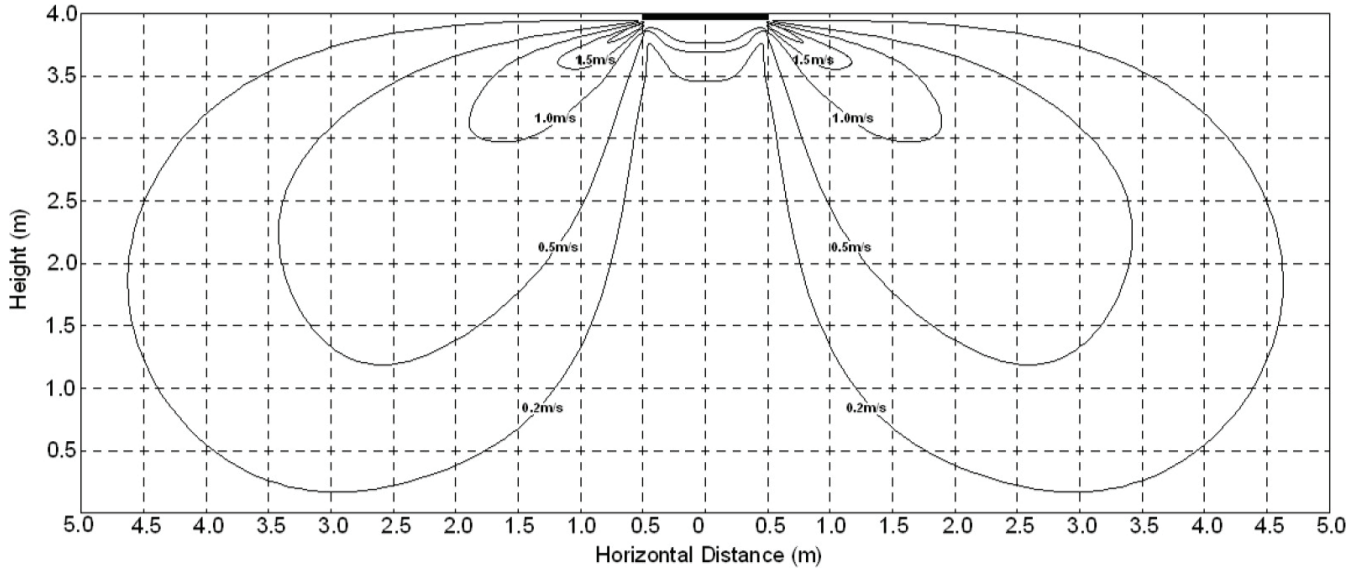


PART 2. INDOOR UNITS

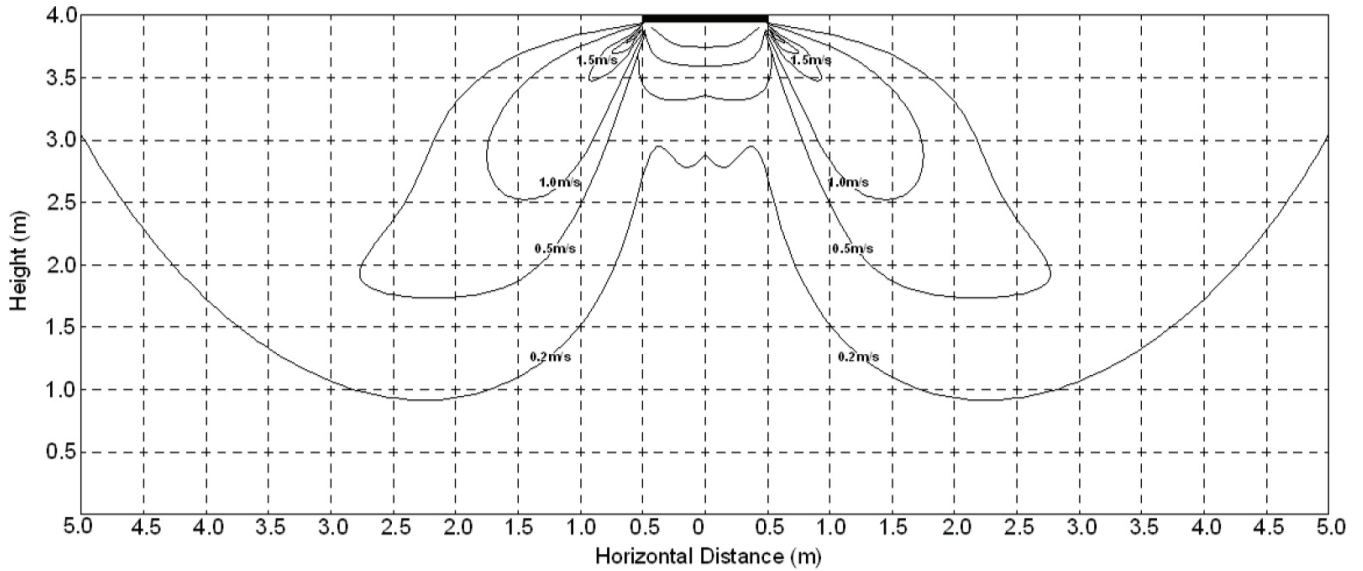
1.5 AIR VELOCITY DISTRIBUTIONS (REFERENCE DATA)

1.5.1 Units 18-24k

a) Cooling:



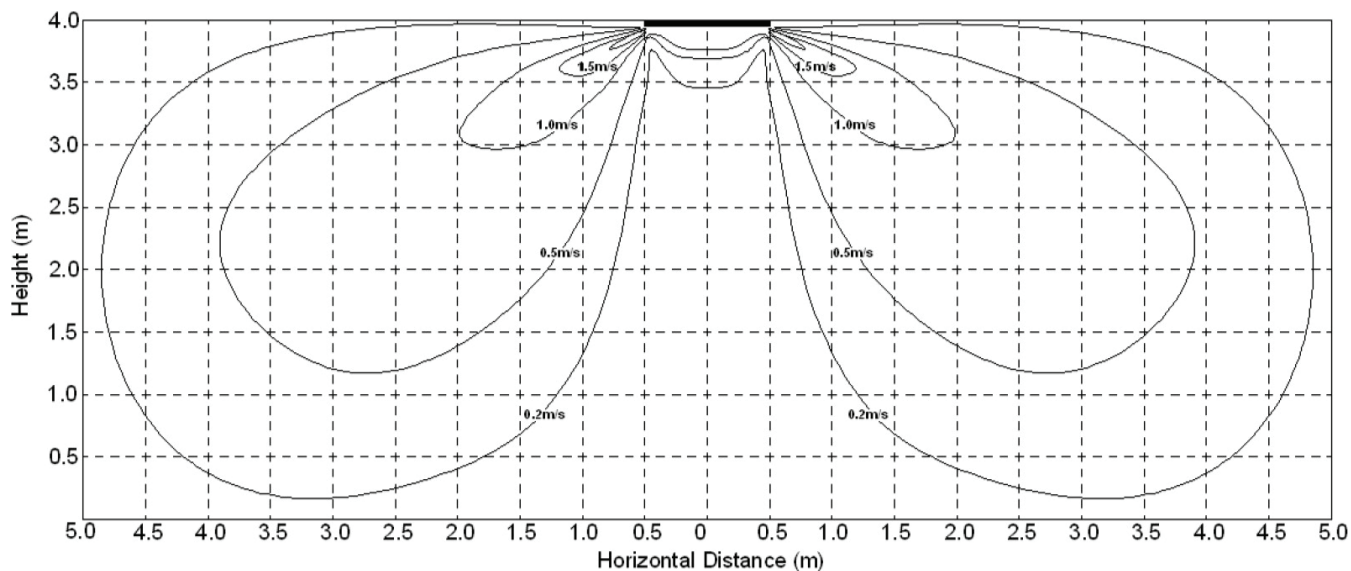
b) Heating:



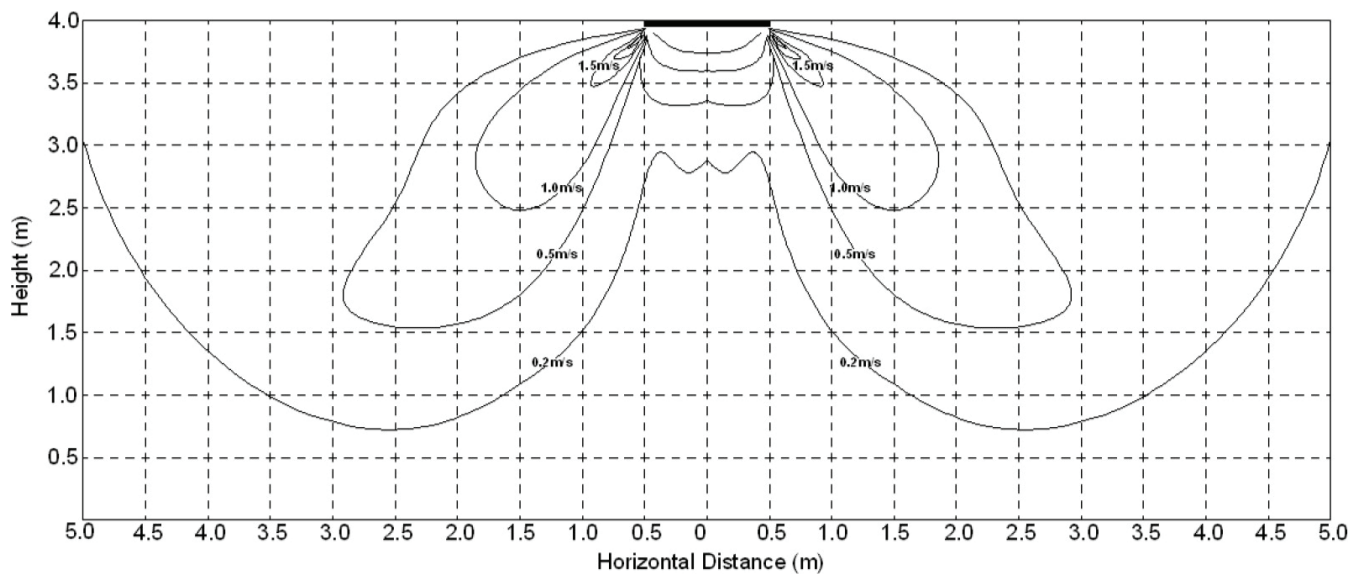
PART 2. INDOOR UNITS

1.5.2 Units 30-42K

a) Cooling:



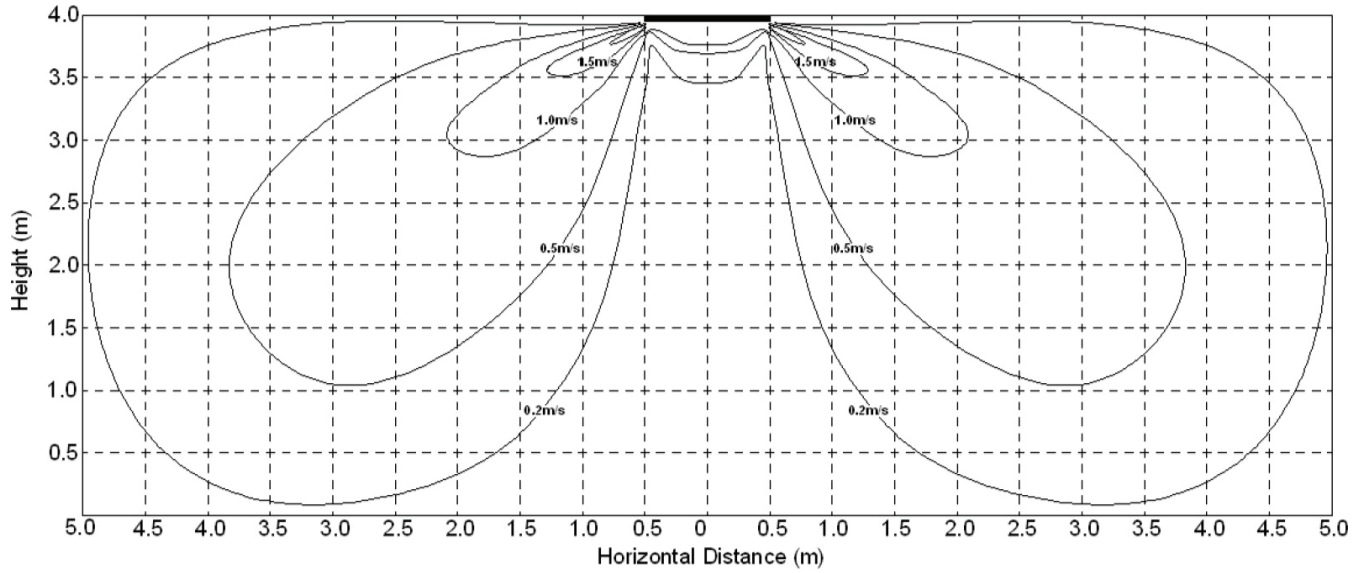
b) Heating:



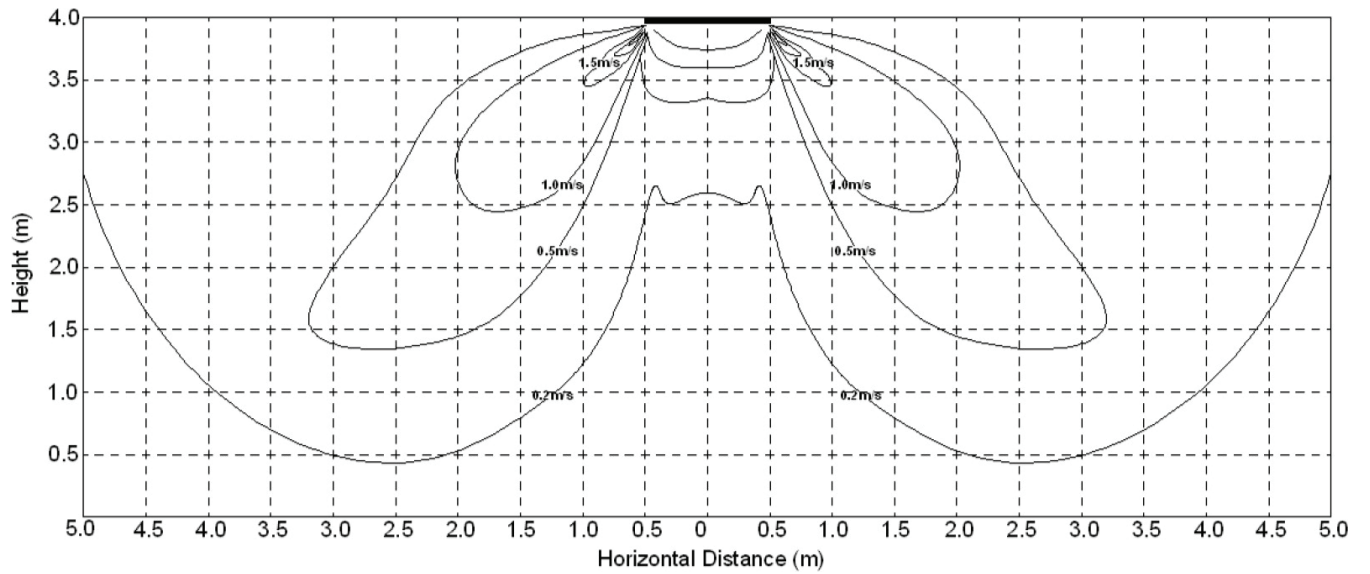
PART 2. INDOOR UNITS

1.5.3 Units 48-55K

a) Cooling:



b) Heating:



PART 2. INDOOR UNITS

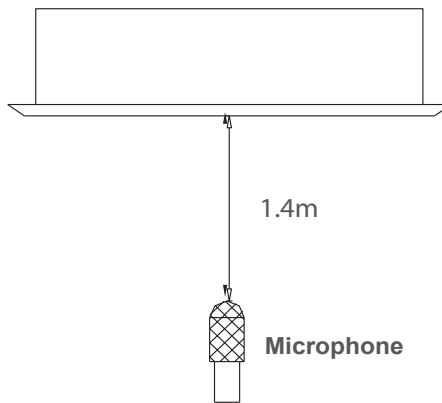
1.6 ELECTRIC CHARACTERISTICS

Model	Indoor Unit				POWER SUPPLY
	Hz	Voltage	Min	Max	MFA
T50Wi	50	220-240 V	198 V	254 V	10
T70Wi	50	220-240 V	198 V	254 V	10
T100Wi	50	220-240 V	198 V	254 V	10
T140Wi	50	220-240 V	198 V	254 V	-
T160Wi	50	220-240 V	198 V	254 V	-

NOTES:

MFA: Max. Fuse Amps. (A)









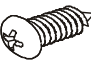

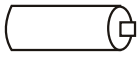


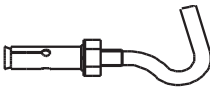

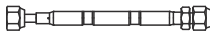
1.7 SOUND LEVELS



Model	Noise Power dB(A)	Noise level dB(A)		
		High	Medium	Low
T50Wi	56	46	40	37
T70Wi	57	47	43	40
T100Wi	60	52	49	46
T140Wi	69	52	50	49
T160Wi	65	53	51	48

PART 2. INDOOR UNITS

2.8 ACCESSORIES

Item	Qty	Shape	Usage category
Installation paper board	1		Installation Fittings
Soundproof / insulation sheath	1		Tubing & Fittings
Out-let pipe sheath	1		Drainpipe Fittings
Out-let pipe clasp	1		
Drain joint	1		
Seal ring	1		
Remote controller & Its Frame	1		Remote controller & Its Frame(The product you have might not be provided the following accessories)
Remote controller holder	1		
Mounting screw(ST2.9×10-C-H)	2		
Remote controller manual	1		
Alkaline dry batteries (AM4)	2		
Owner's manual	1		Others
Installation manual	1		
Expansible hook	4		Installation accessory (The product you have might not be provided the following accessories)
Installation hook	4		
Orifice	1		

PART 2. INDOOR UNITS

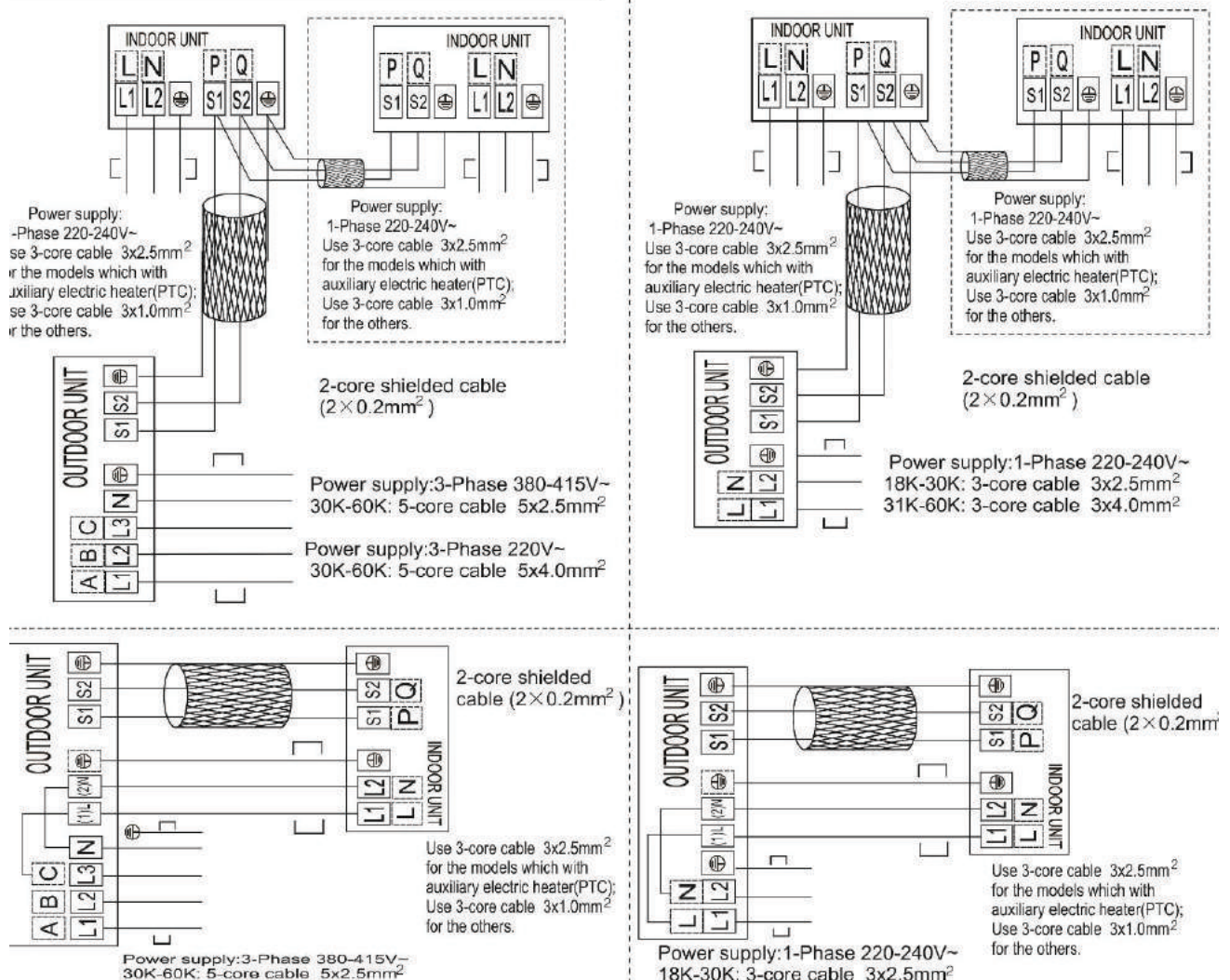
2.9 THE SPECIFICATION OF POWER

Model(Btu/h)		18000~24000	36000	36000	48000~60000
Indoor power	Phase	1-phase	1-phase	1-phase	-
	Frequency and Voltage	220-240V, 50Hz	220-240V, 50Hz	220-240V, 50Hz	-
	Power wiring (mm ²)	3×1.0	3×1.0	3×1.0	-
Circuit breaker/Fuse (A)		15/10	15/10	15/10	-
Indoor power	Phase	1-phase	1-phase	3-phase	3-phase
	Frequency and Voltage	220-240V, 50Hz	220-240V, 50Hz	380-415V, 50Hz	380-415V, 50Hz
	Power wiring (mm ²)	3×2.5	3×4.0	5×2.5	5×2.5
Circuit breaker/Fuse (A)		25/20	40/30	25/20	30/25
Indoor/Outdoor Connecting Wiring (Weak Electric Signal) (mm ²)		2×0.2	2×0.2	2×0.2	2×0.2
Indoor/Outdoor Connecting Wiring (Strong Electric Signal) (mm ²)		-	-	-	3×1.0

1.10 FIELD WIRING

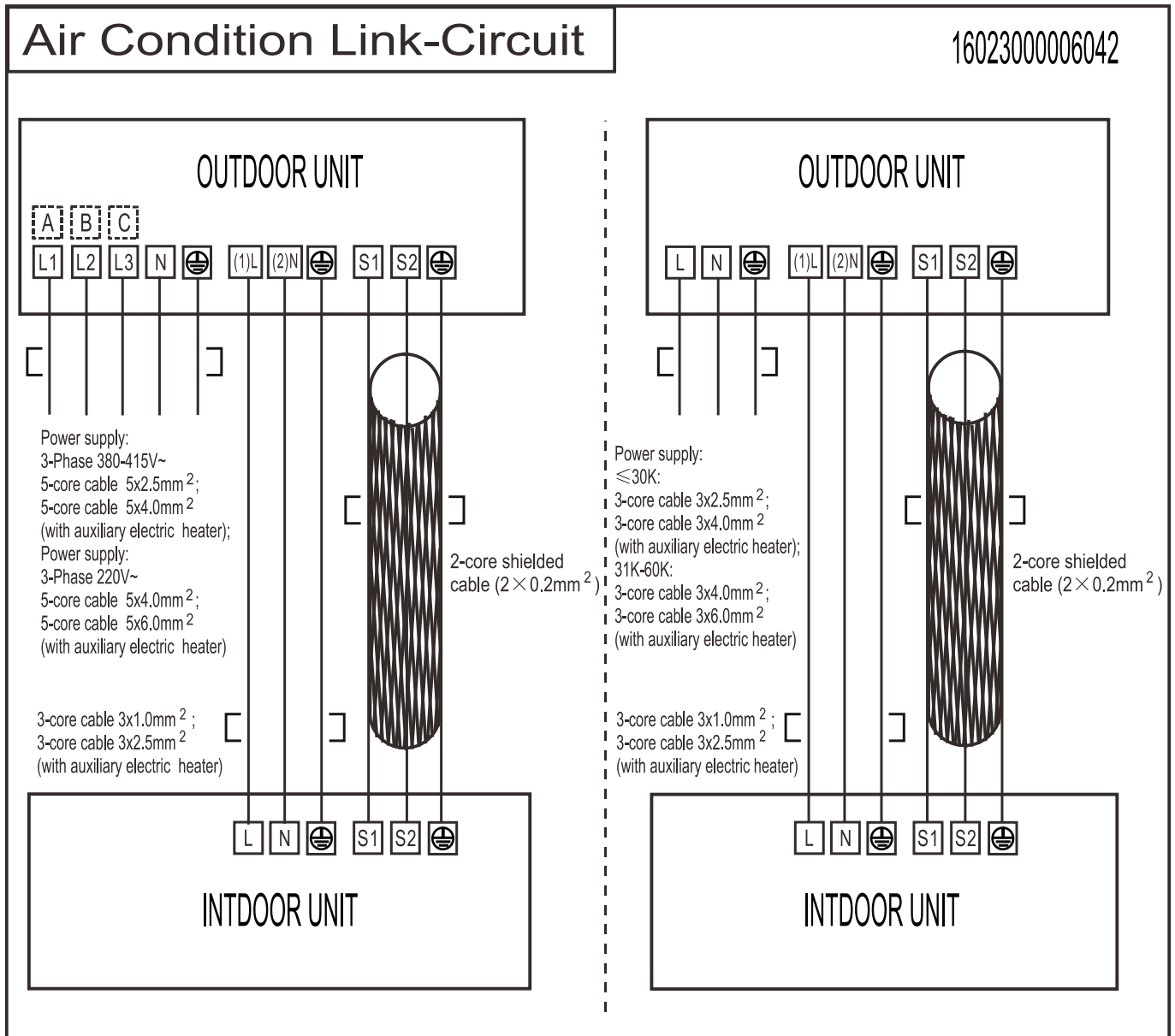
1.10.1 Wiring diagram for T50Wi, T70Wi, T100Wi

Air Condition Link-Circuit



PART 2. INDOOR UNITS

1.10.1 Wiring diagram for T140Wi, T160Wi



PART 2. INDOOR UNITS

2. NEVO - DUCT TYPE

2.1 FEATURES

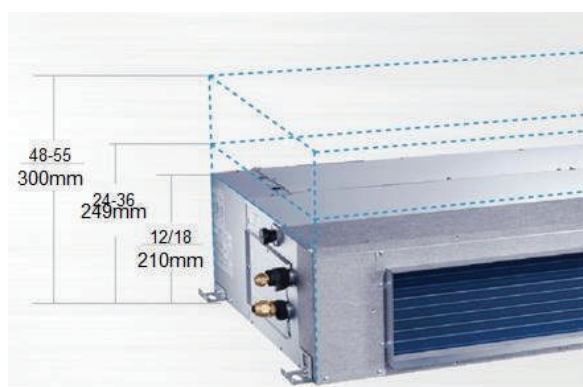
2.1.1 Higher Static Pressure

- As a ducted air conditioner with medium static pressure, it has the widest static pressure range.
- The maximum static pressure reaches 160 Pa



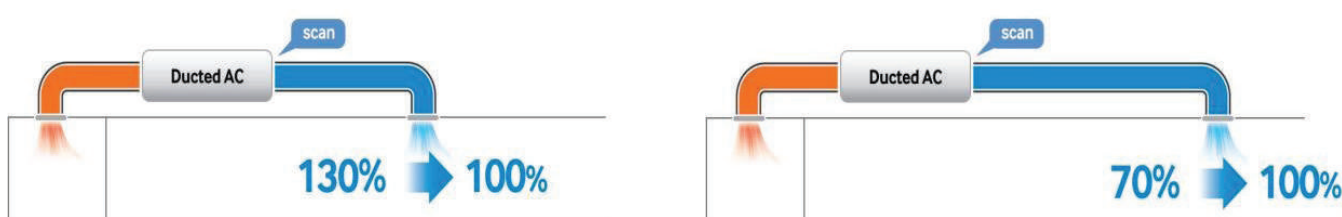
2.1.2 Slim Design

- The industry lowest height is designed to be fitted into tight roof spaces.
 - a) 18K unit - 210mm,
 - b) 24K/36K unit - 249mm
 - c) 48K unit -300mm



2.1.3 Constant air volume control

- For ordinary duct, when the static pressure exceeds the expected range, it is fairly difficult even for an experienced installer to calculate and adjust the air volume precisely.
- With constant air volume control technology, the duct will automatically adjust to perfect static pressure and keep constant air volume.



PART 2. INDOOR UNITS

2.1.4 Flexible Air Intake Way (Bottom side or Rear side)

- The frame size of air inlet in rear and bottom is the same. It's very easy to switch to match different application.



Air intake from rear (Standard)



Air intake from bottom (Optional)



2.1.5 Communication wire connection

- A6 duct uses two wires without polarity connection way, which almost has no mistake during the installation.



PART 2. INDOOR UNITS

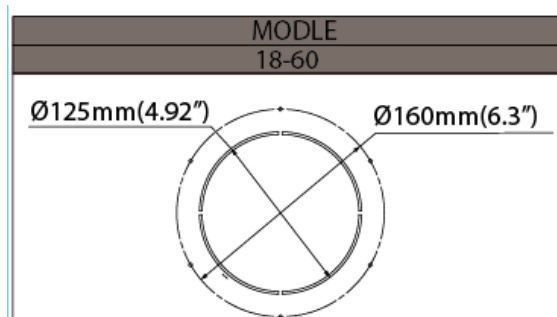
2.1.6 Easy Clean

- With a larger window design, once the motor and the blower wheels have been detached, heat exchanger and water receiver tray in behind can be seen very clearly. Dust can be easily removed from the inside by vacuum.



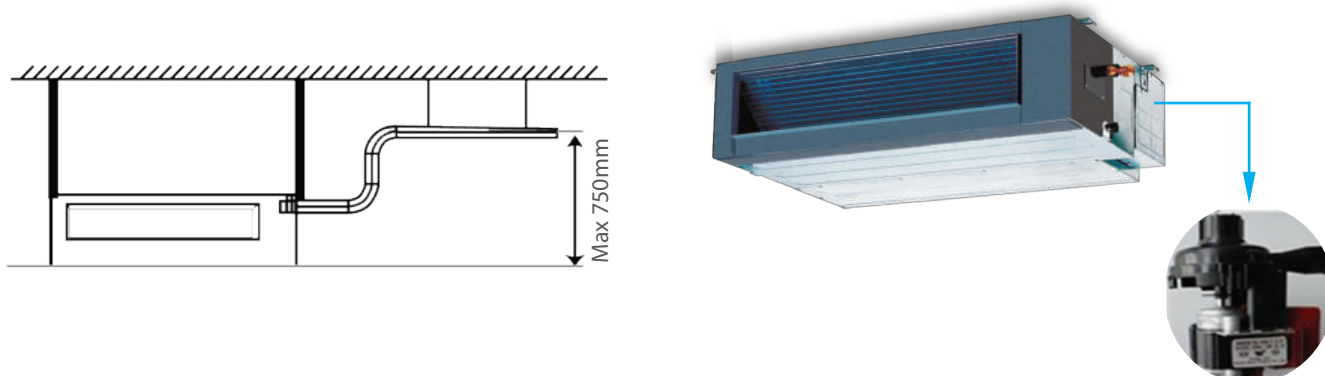
2.1.7 Fresh air intake function(Optional)

- Install one duct from the reserved fresh-air intake to outdoor. Continually inhale the fresh air to improve the quality of the indoor air, fulfills air quality more healthy and comfortable.
- A ventilation motor (provided by the installer) can be installed inside the fresh air duct to improve the fresh air volume. There are reserved ports for this motor on main PCB (Standard for 3D inverter units, and only optional for DC inverter 53~160 units).



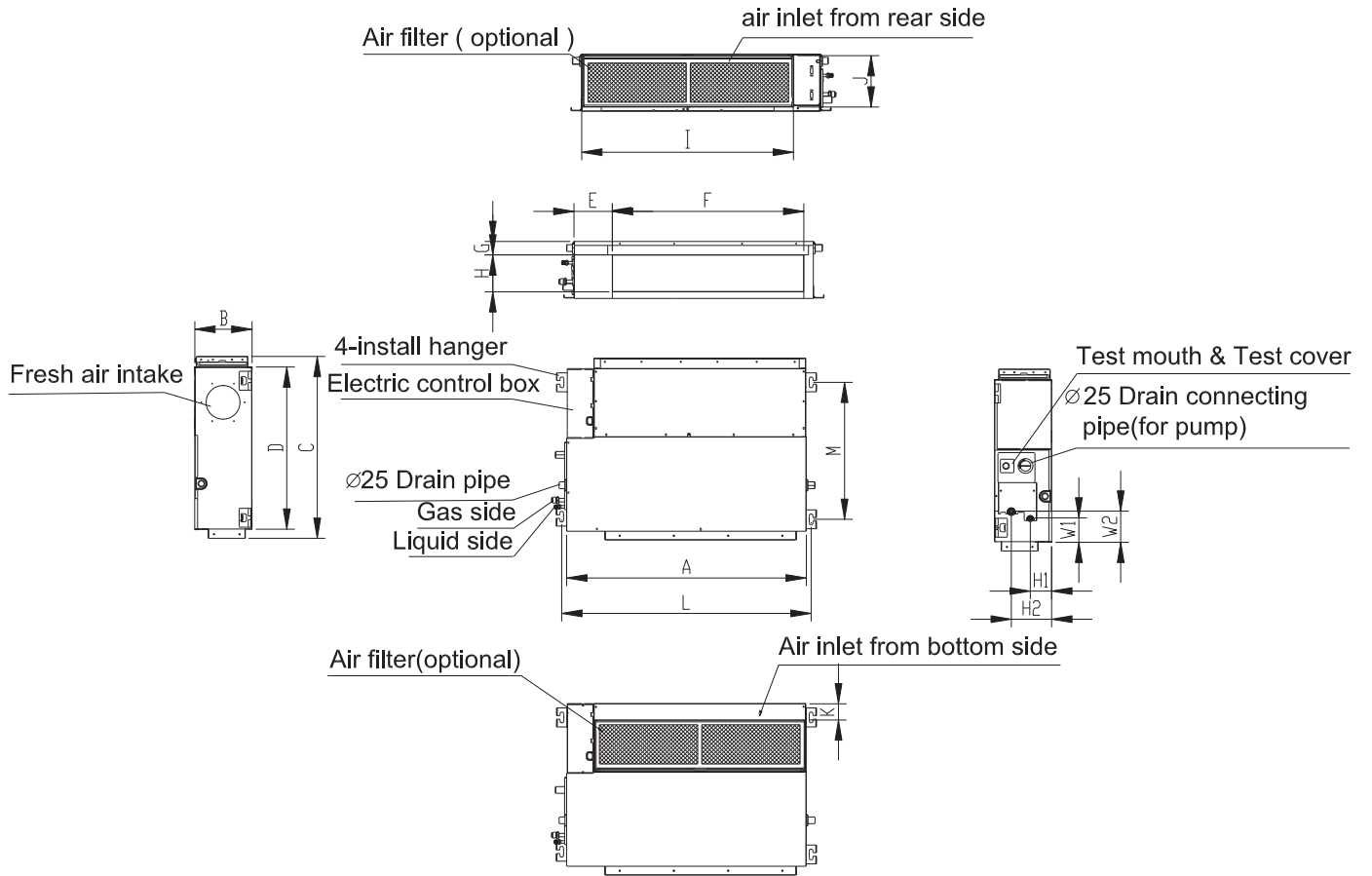
2.1.8 Built-in drain pump (Optional)

- Built-in drain pump can lift the water to 750mm upmost, which widens the drainage piping range.



PART 2. INDOOR UNITS

2.2 DIMENSIONS

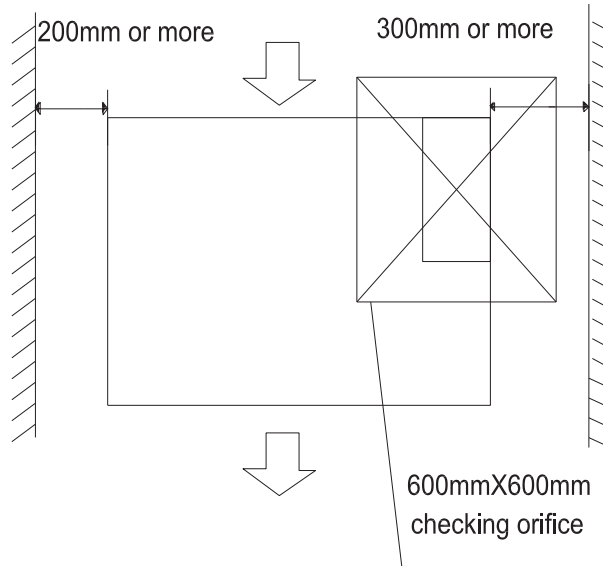


Capacity (kBTU/h)	Unit	A	B	C	D	E	F	G	H	I	J	K	L	M	H1	H2	W1	W2
18	mm	880	210	674	600	140	706	50	136	782	190	40	920	508	78	148	88	112
	inch	34.65	8.27	26.54	23.62	5.51	27.80	1.97	5.35	30.79	7.48	1.57	36.22	20.00	3.07	5.83	3.46	4.41
24	mm	1100	249	774	700	140	926	50	175	1001	228	5	1140	598	80	150	130	155
	inch	43.31	9.80	30.47	27.56	5.51	36.46	1.97	6.89	39.41	8.98	0.20	44.88	23.54	3.15	5.91	5.12	6.10
36	mm	1360	249	774	700	140	1186	50	175	1261	228	5	1400	598	80	150	130	155
	inch	53.54	9.80	30.47	27.56	5.51	46.69	1.97	6.89	49.65	8.98	0.20	55.12	23.54	3.15	5.91	5.12	6.10
48/55	mm	1200	300	874	800	123	1044	50	227	1101	280	5	1240	697	80	150	185	210
	inch	47.24	11.81	34.41	31.5	4.84	41.1	1.97	8.94	43.35	11.02	0.20	48.82	27.44	3.15	5.91	7.28	8.27

PART 2. INDOOR UNITS

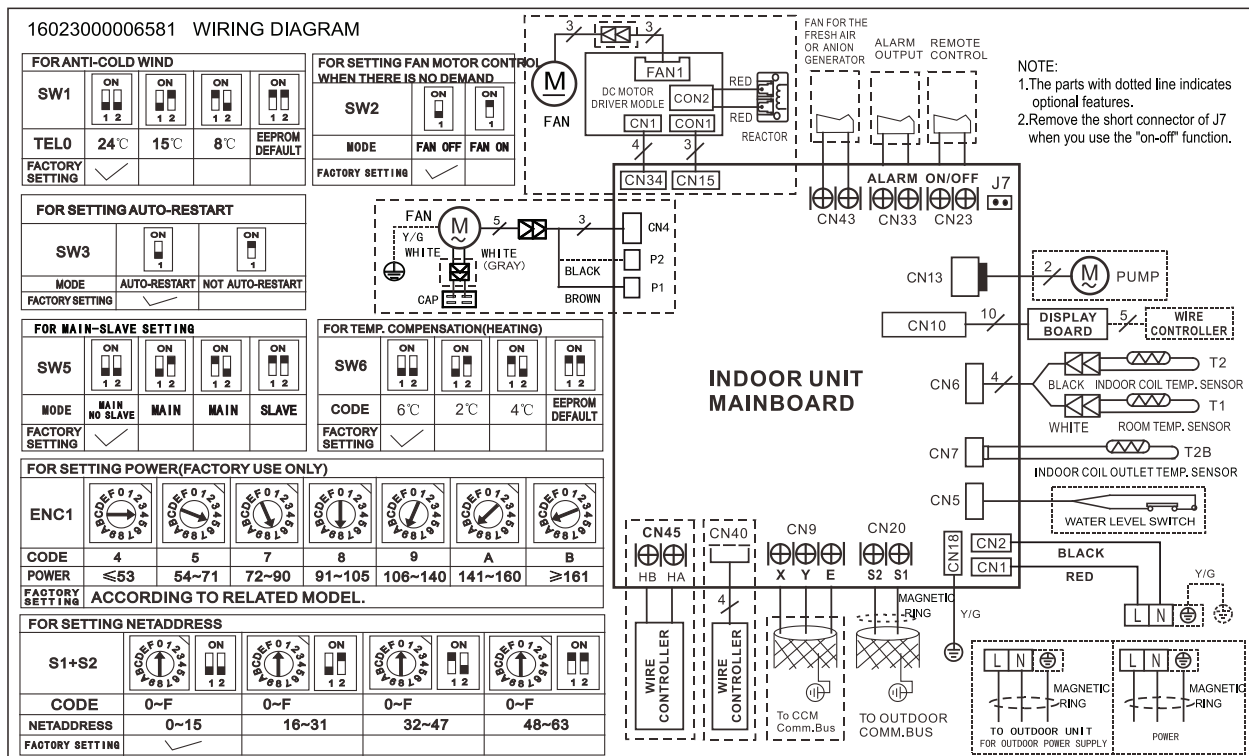
2.3 SERVICE SPACE

Ensure enough space required for installation and maintenance.



2.4 WIRING DIAGRAMS

2.4.1 Wiring diagrams 18K, 24K, 36K, 48K, 55K

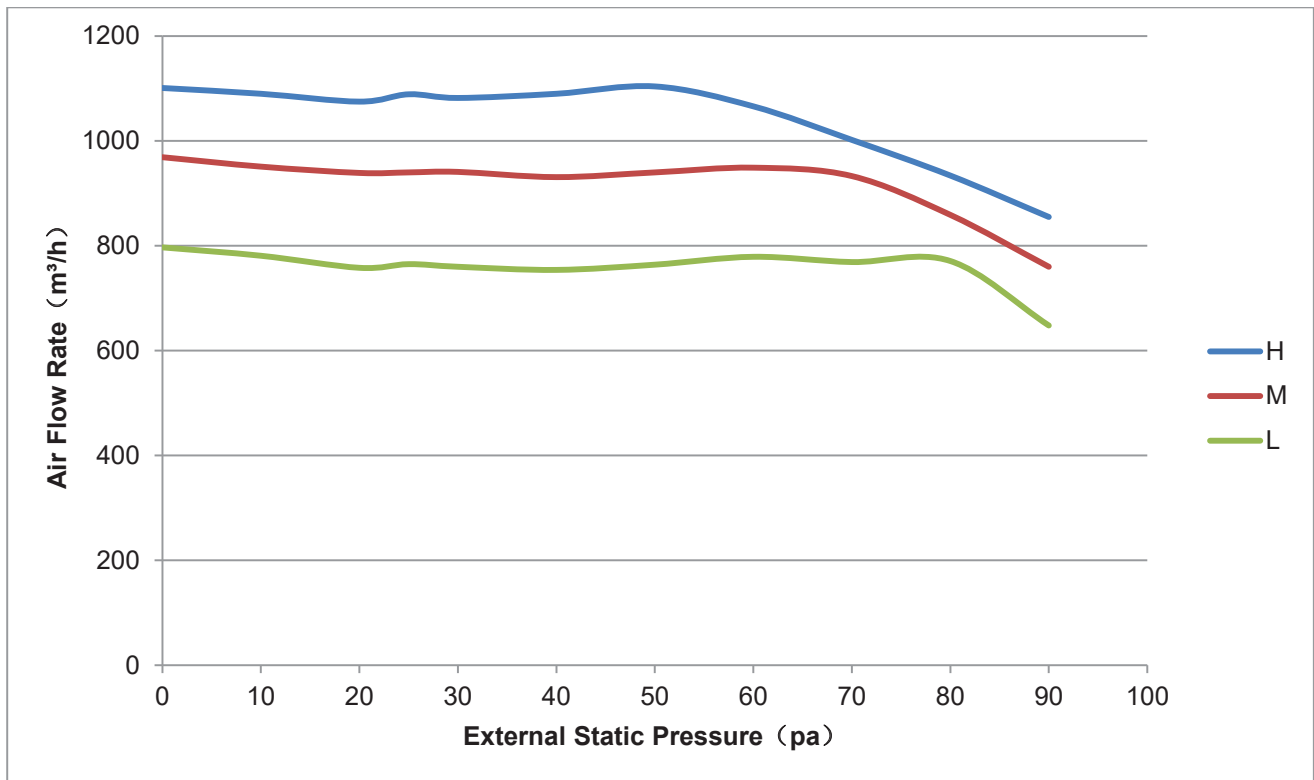
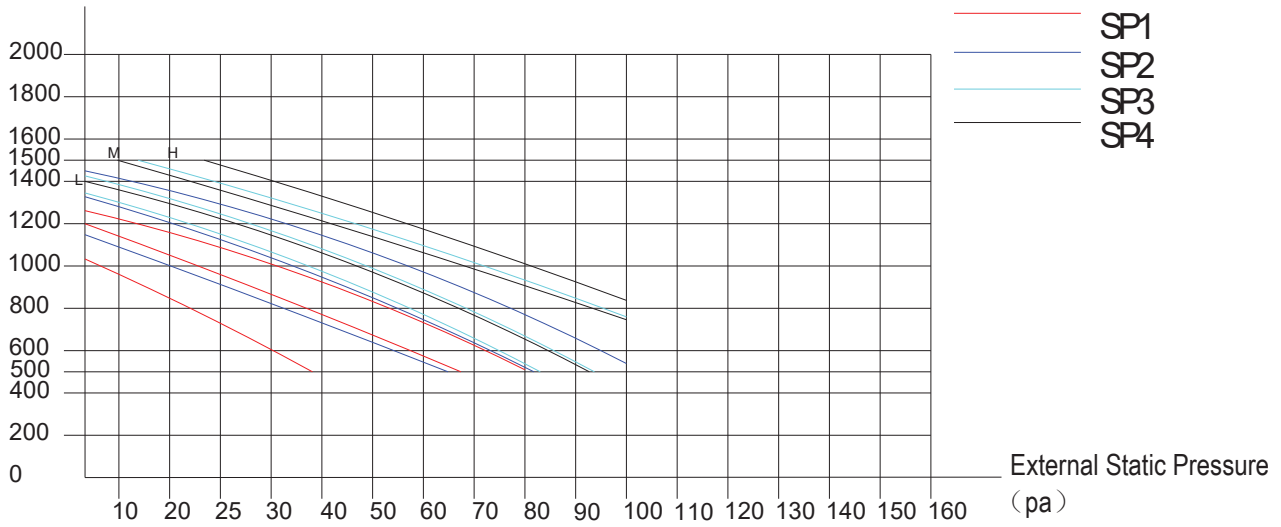


PART 2. INDOOR UNITS

2.5 STATIC PRESSURE

2.5.1 Wiring diagrams N50Wi

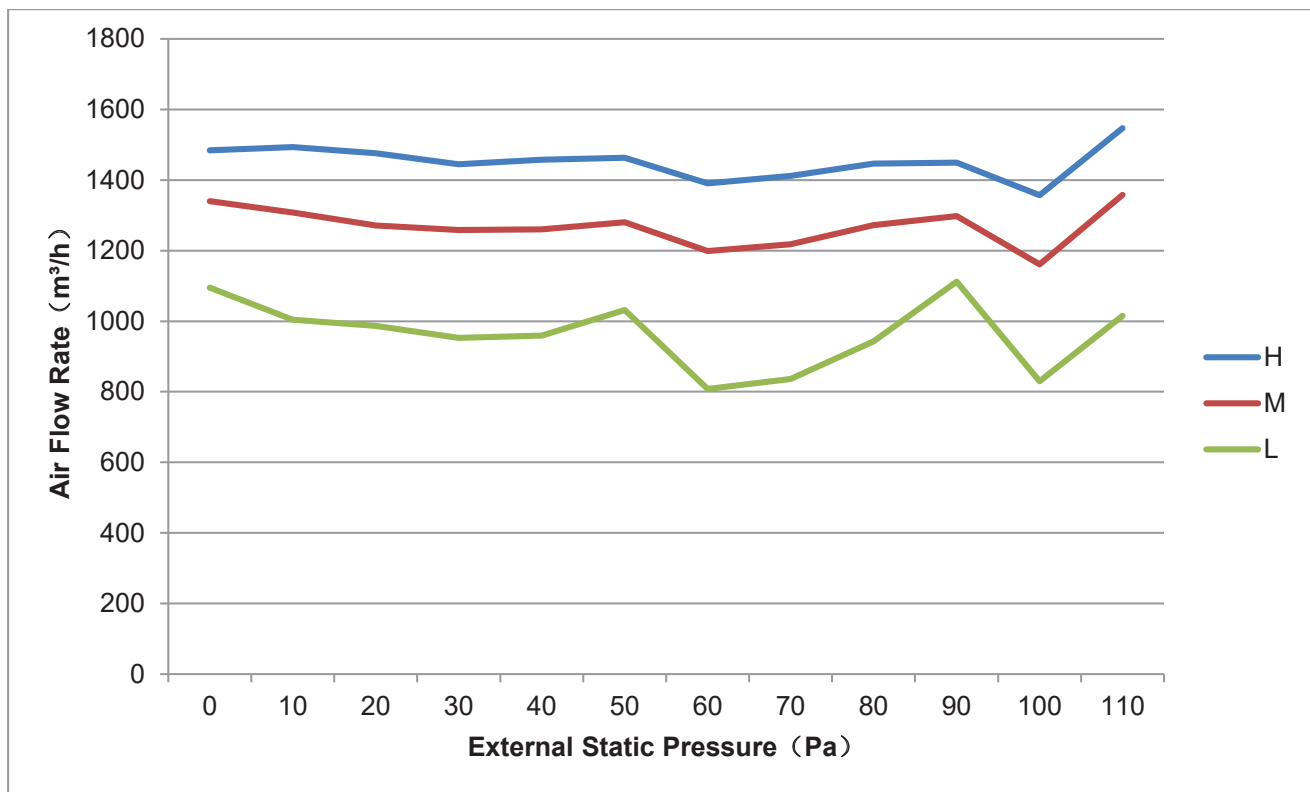
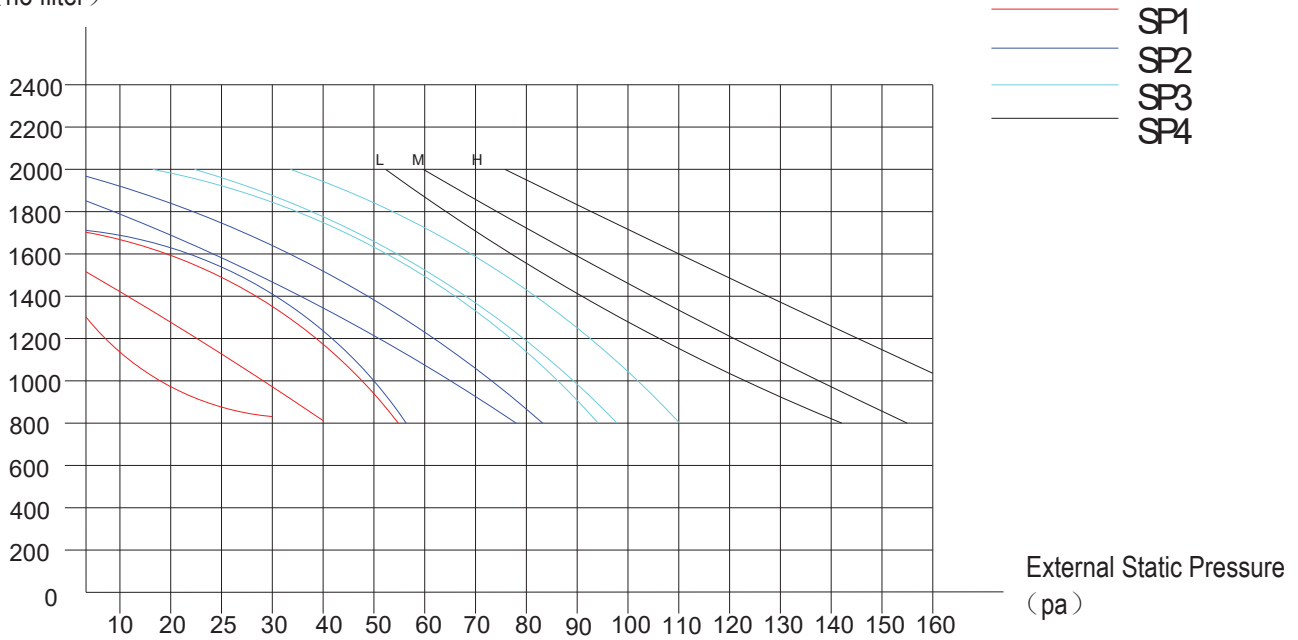
Air flow rate (m³/h)
(no filter)



PART 2. INDOOR UNITS

2.5.2 Wiring diagrams N70Wi

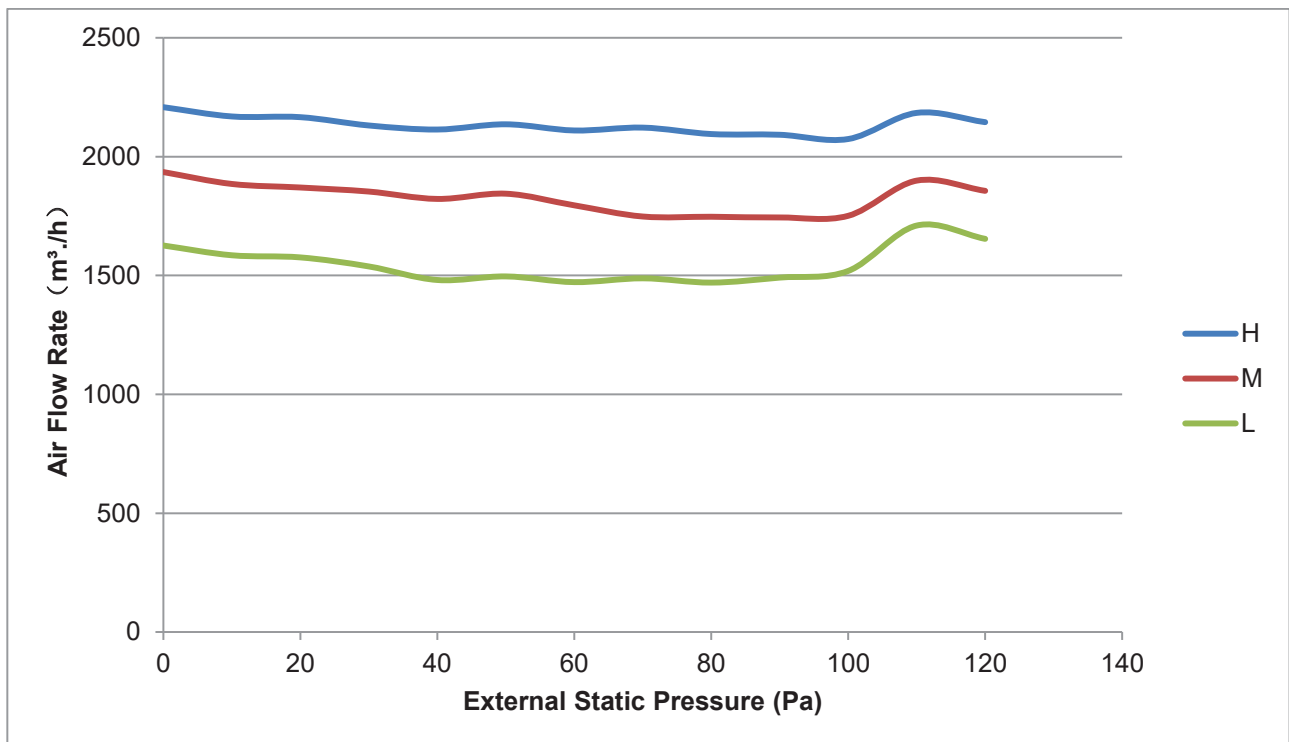
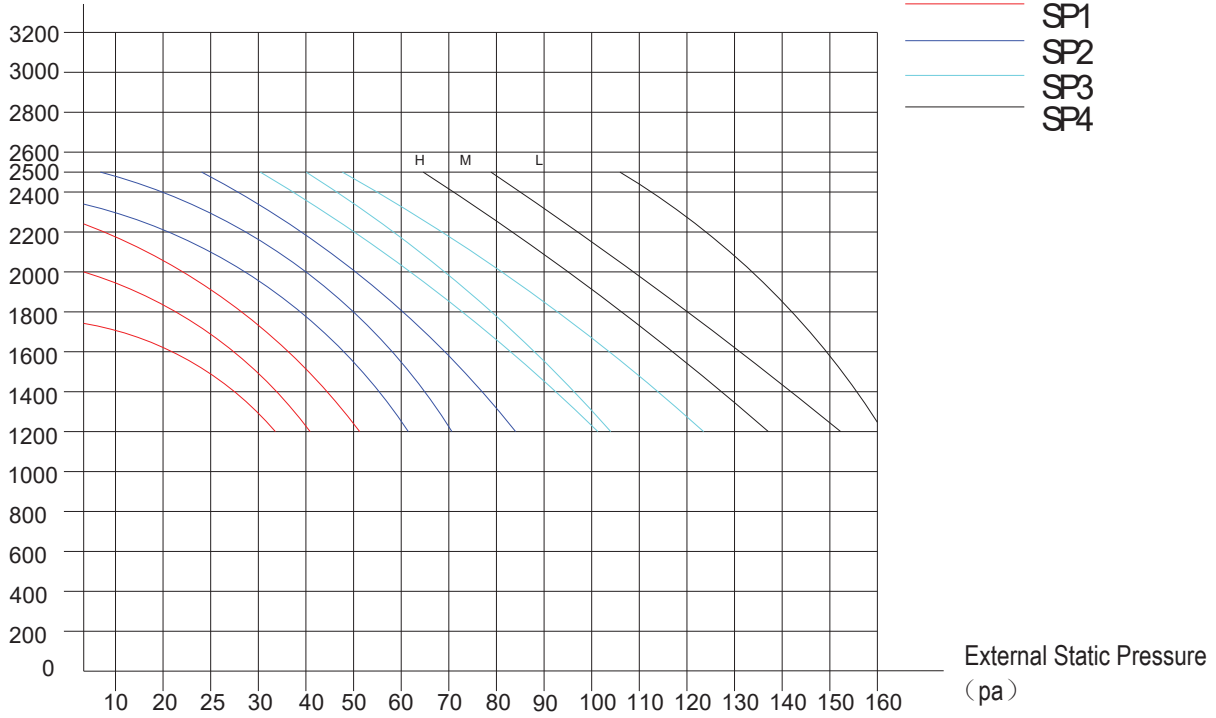
Air flow rate(m³/h)
(no filter)



PART 2. INDOOR UNITS

2.5.3 Wiring diagrams N100Wi

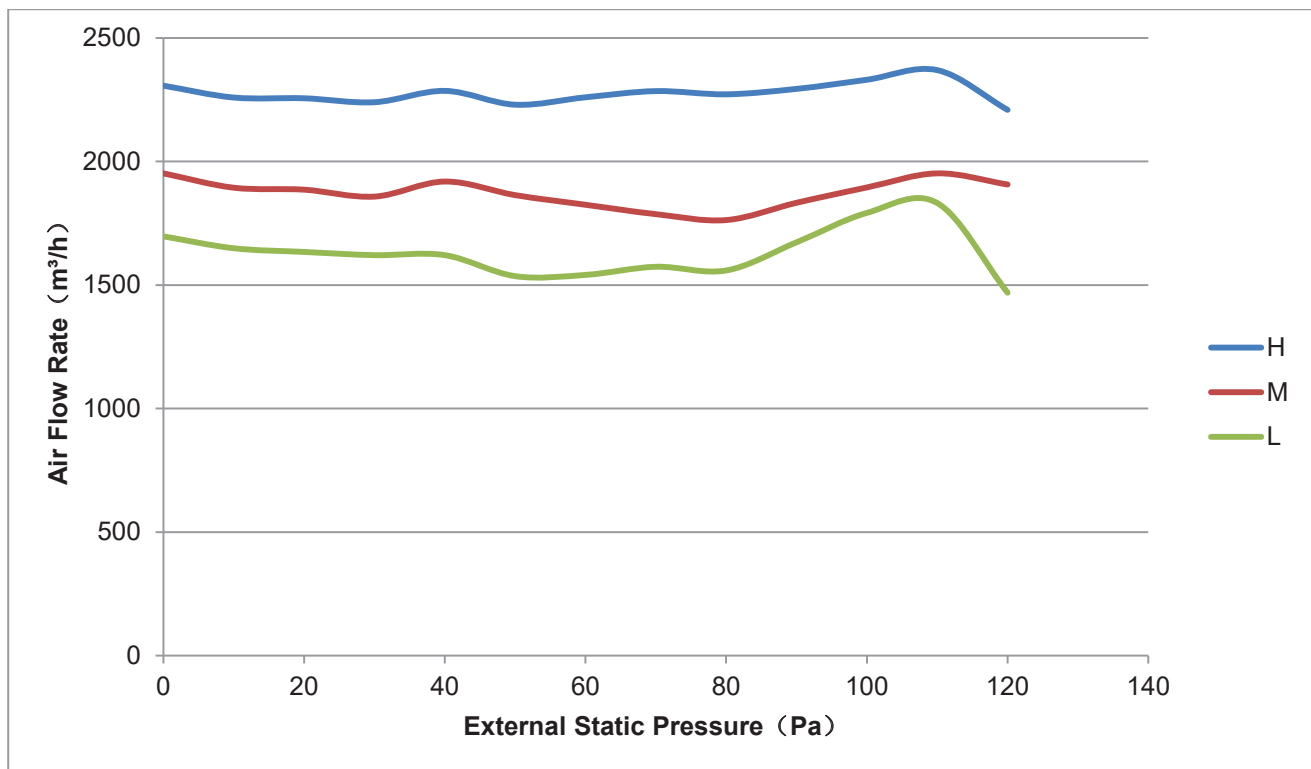
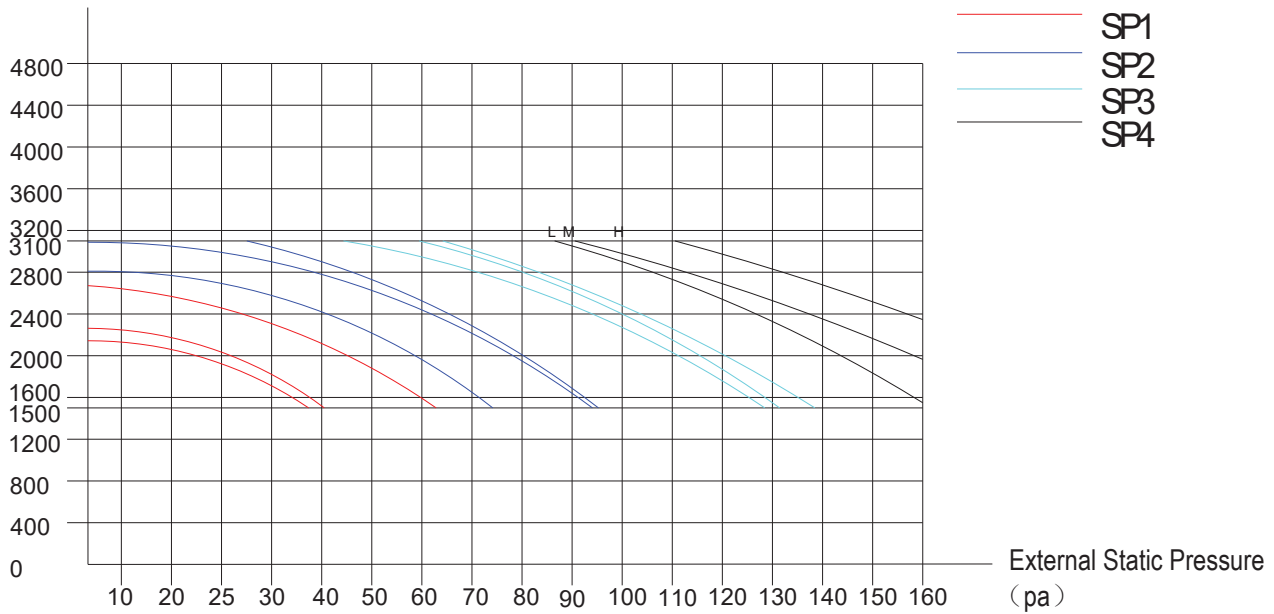
Air flow rate(m³/h)
(no filter)



PART 2. INDOOR UNITS

2.5.4 Wiring diagrams N140Wi

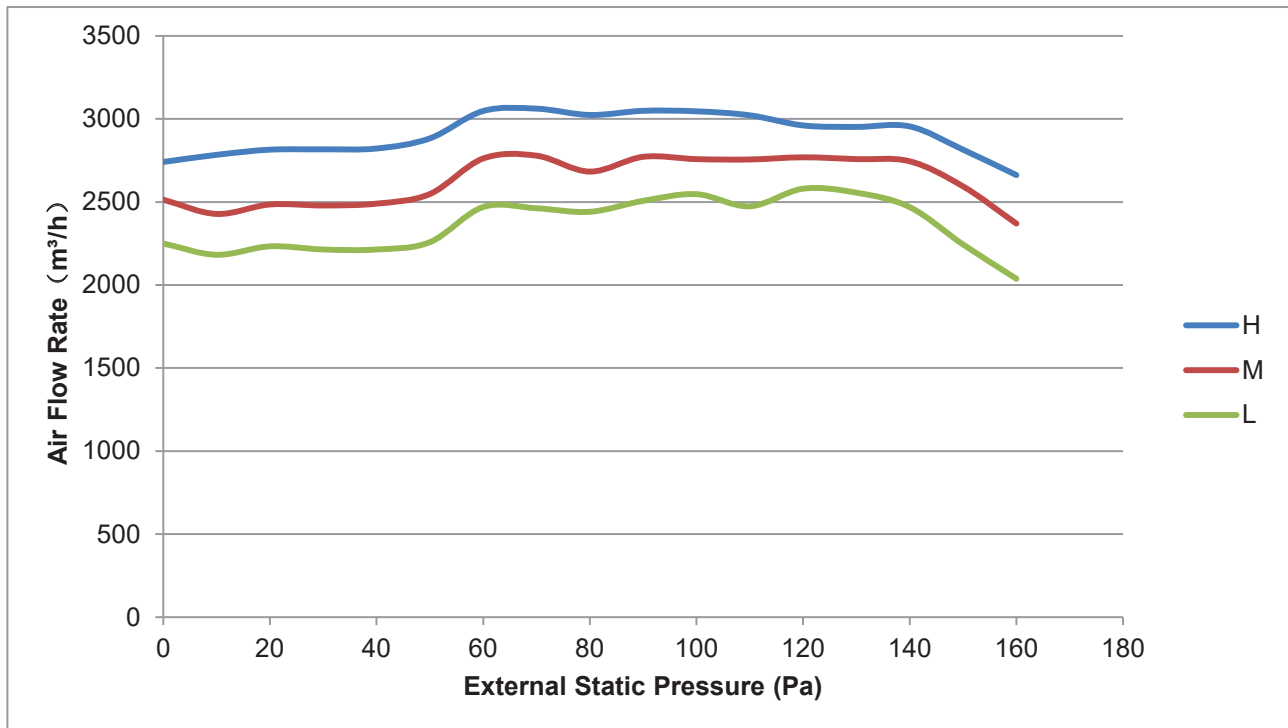
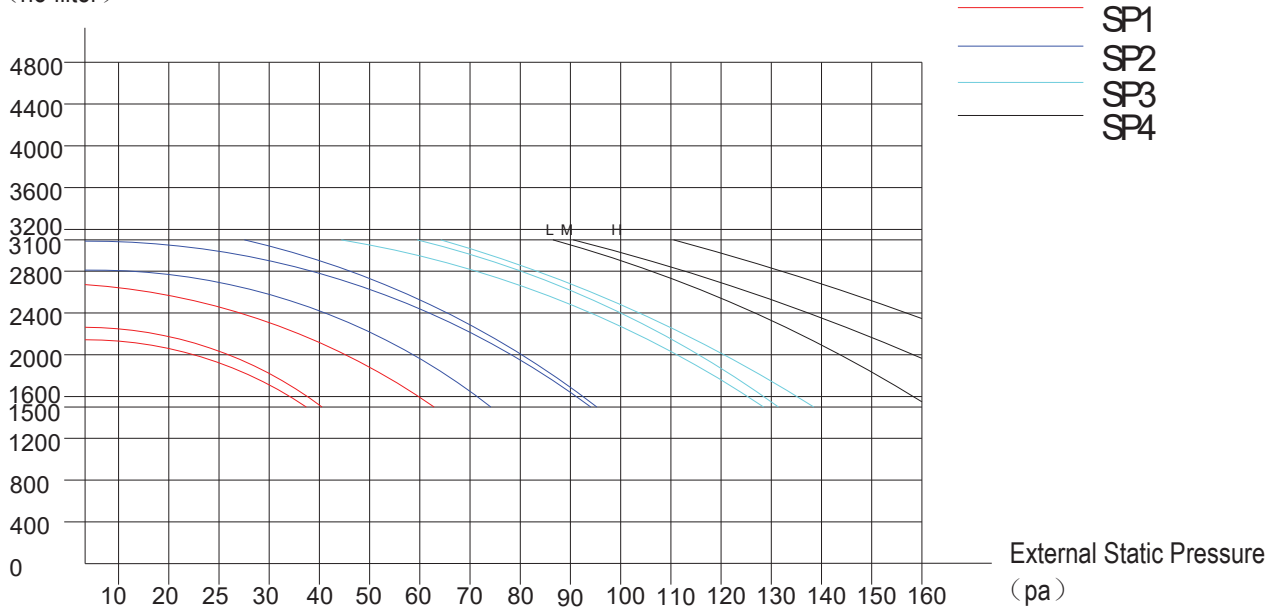
Air flow rate(m³/h)
(no filter)



PART 2. INDOOR UNITS

2.5.5 Wiring diagrams N160Wi

Air flow rate(m³/h)
(no filter)



PART 2. INDOOR UNITS

2.6 ELECTRIC CHARACTERISTICS

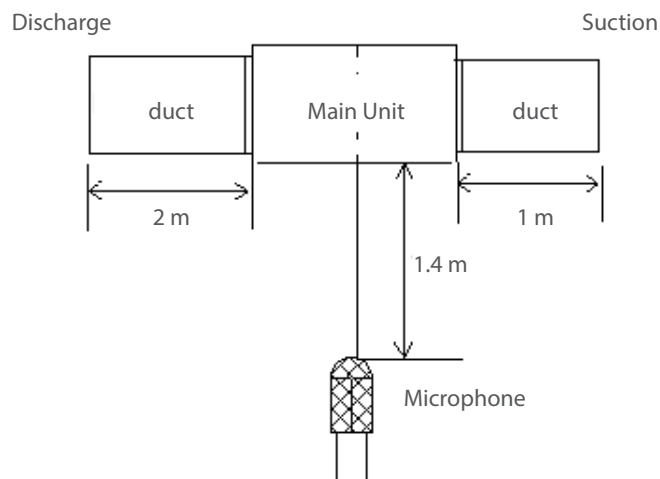
Model	Indoor Unit				POWER SUPPLY
	Hz	Voltage	Min	Max	MFA
N50Wi	50	220-240 V	198 V	254 V	-
N70Wi	50	220-240 V	198 V	254 V	-
N100Wi	50	220-240 V	198 V	254 V	-
N140Wi	50	220-240 V	198 V	254 V	-
N160Wi	50	220-240 V	198 V	254 V	-

NOTES:

MFA: Max. Fuse Amps. (A)

2.7 SOUND LEVELS




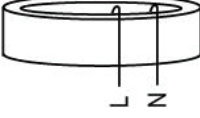


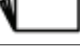



Concealed duct type.



Model	Noise Power dB(A)	Noise level dB(A)		
		High	Medium	Low
N50Wi	60	44	42	40
N70Wi	62	44	42	40
N100Wi	62	47	43	40
N140Wi	67	51	50	48
N160Wi	71	54	52	50

PART 2. INDOOR UNITS

2.8 ACCESSORIES

Item	Qty	Shape	Usage category
Soundproof / insulation sheath	2		Tubing & Fittings
Drain joint	1		Drainpipe Fittings (for cooling & heating)
Seal ring	1		
Magnetic ring (twist the electric wires L and N around the magnetic ring to five circles)	1		EMC & It's Fitting (for some models)
Wired controller	1		Wired controller & Its Frame
Owner's manual of wired controller	1		
Wired controller installation manual	1		
Owner's manual	1		Others
Installation manual	1		
Connecting wire for display (2m)	1 (on some models)	-	
Cord protection rubber ring	1 (on some models)		

2.9 THE SPECIFICATION OF POWER

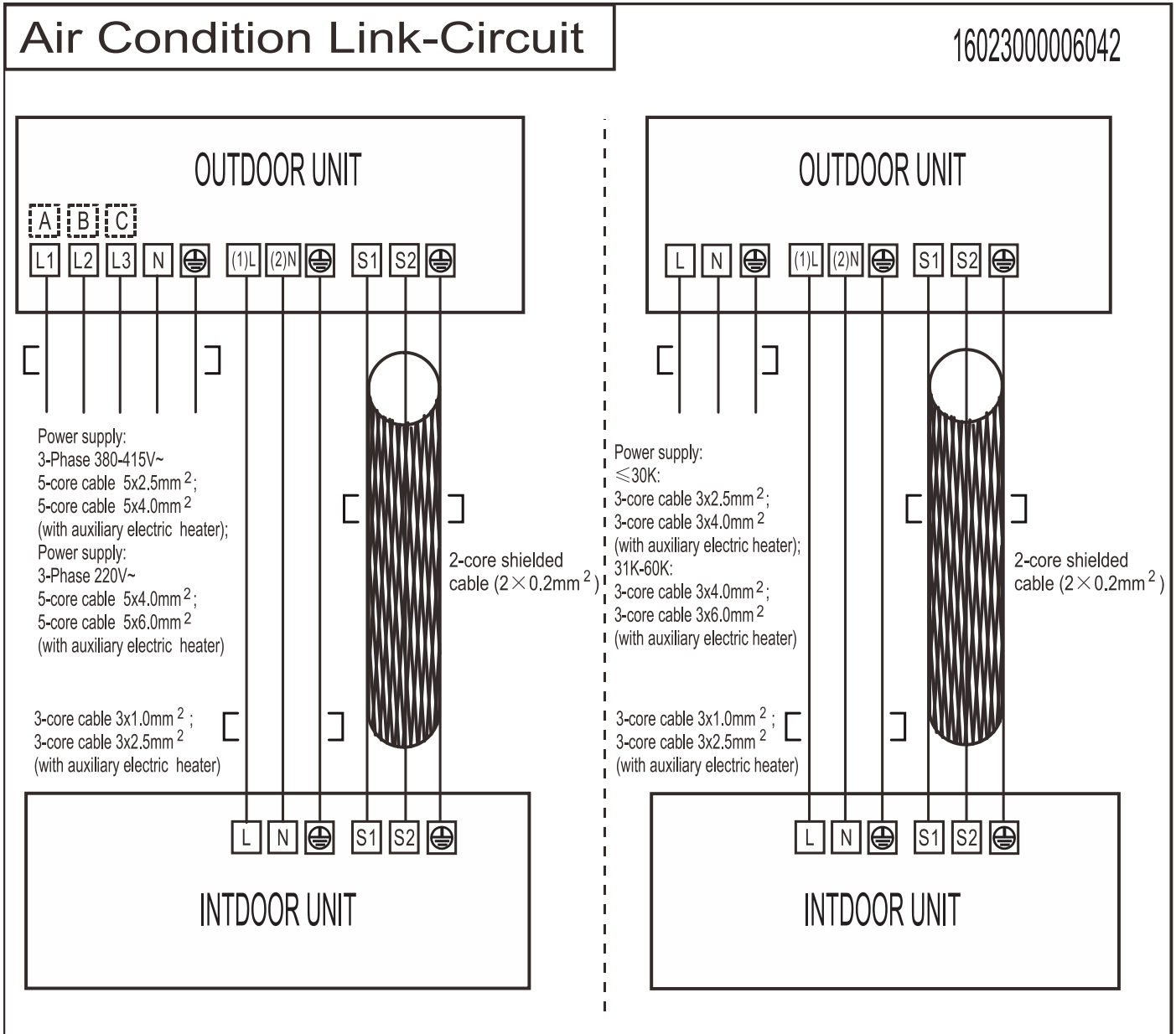
Model (Btu/h)		18000~24000	36000
Power	Phase	1-phase	1-phase
	Frequency and Voltage	220-240V, 50Hz	220-240V, 50Hz
	Power wiring (mm ²)	3×2.5	3×4.0
Circuit breaker/Fuse (A)		30/20	40/30
Indoor/Outdoor Connecting Wiring (Weak Electric Signal) (mm ²)		2×0.2	2×0.2
Indoor/Outdoor Connecting Wiring (Strong Electric Signal) (mm ²)		3×1.0	3×1.0

Model (Btu/h)		36000	48000~60000
Power	Phase	3-phase	3-phase
	Frequency and Voltage	380-415V, 50Hz	380-415V, 50Hz
	Power wiring (mm ²)	5×2.5	5×2.5
Circuit breaker/Fuse (A)		30/20	30/25
Indoor/Outdoor Connecting Wiring (Weak Electric Signal) (mm ²)		2×0.2	2×0.2
Indoor/Outdoor Connecting Wiring (Strong Electric Signal) (mm ²)		3×1.0	3×1.0

PART 2. INDOOR UNITS

2.10 FIELD WIRING

2.10.1 Field wiring N50Wi, N70Wi, N100Wi, N140Wi, 160Wi



PART 2. INDOOR UNITS

3. JATO - CEILING & FLOOR TYPE

3.1 FEATURES

3.1.1 New design, more modern and elegant appearance



3.1.2 Convenient installation

- The ceiling type can be easily installed into a corner of the ceiling even if the ceiling is very narrow
- It is especially useful when installation of an air conditioner in the center of the ceiling is impossible due to a structure such as one lighting.

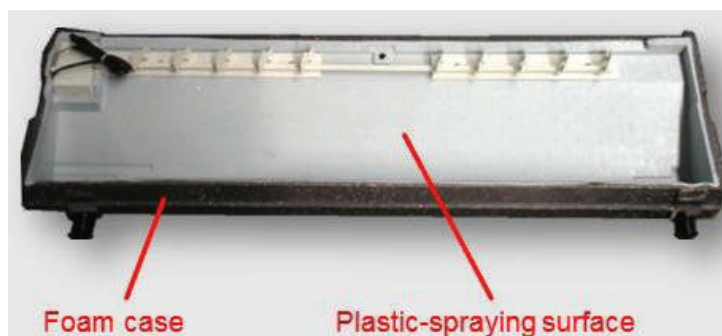
3.1.3 Two direction auto swing (vertical & horizontal) and wide angle air flow

- Air flow directional control minimizes the air resistance and produces wider air flow to vertical direction.
- The range of horizontal air discharge is widened which secures wider air flow distribution to provide more comfortable air circulation no matter where the unit is set up.



3.1.4 Three level fan speed, more humanism design, meets different air-supply requirement.

3.1.5 New foam drain pan with plastic-spraying inner surface

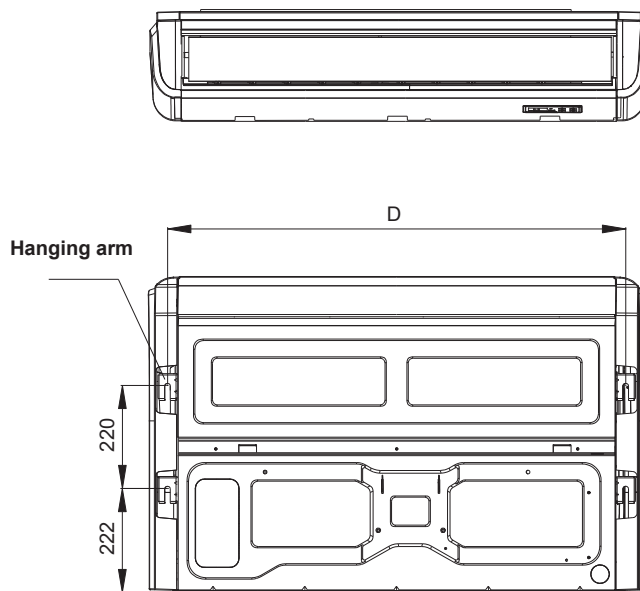
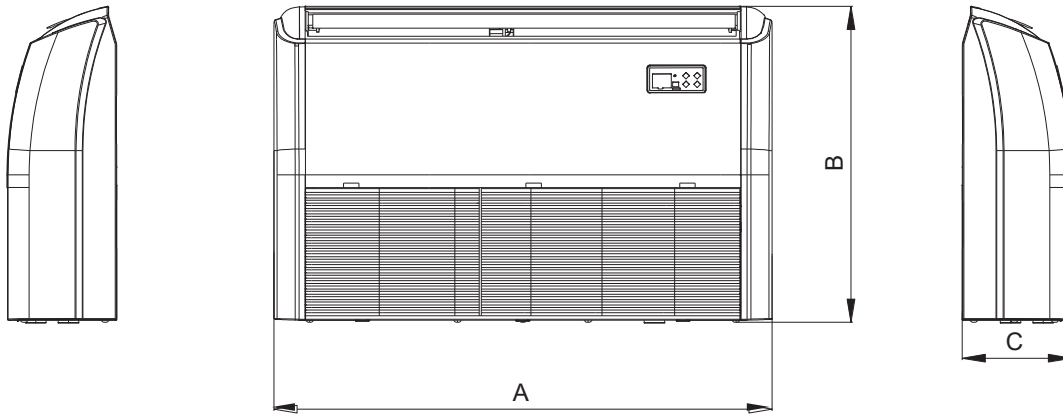
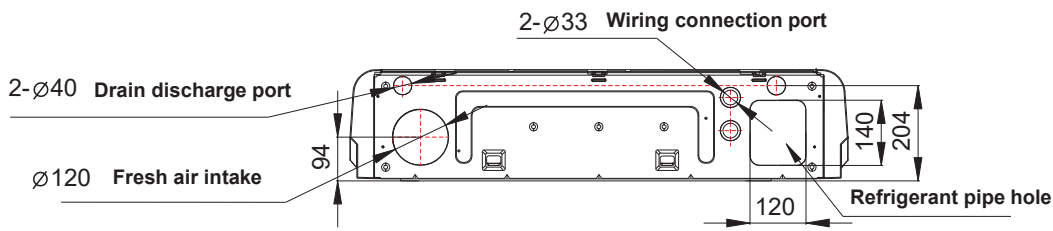


3.1.6 Easy operation

3.1.7 Remote control and optional wired control method

PART 2. INDOOR UNITS

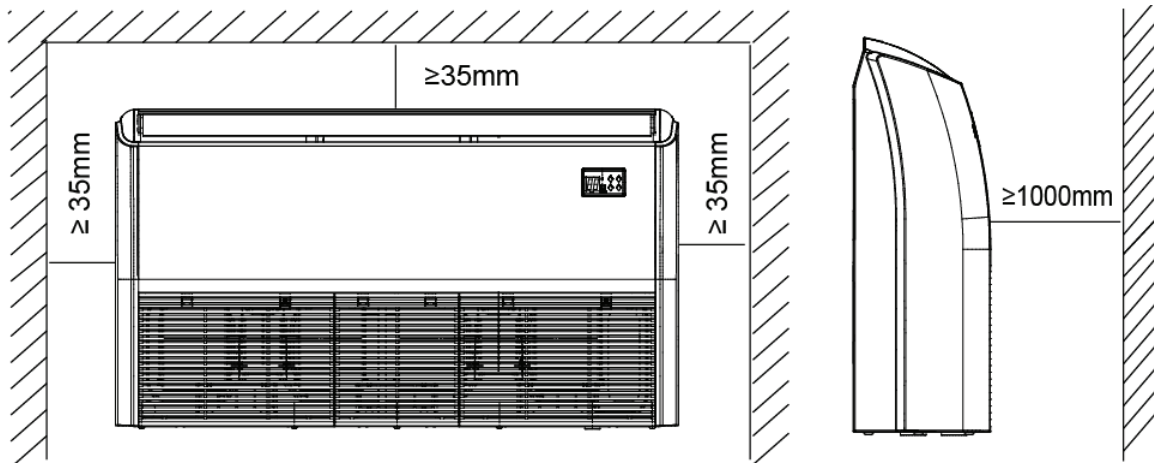
3.2 DIMENSIONS



				Unit: mm
Capacity (kBTU/h)	A	B	C	D
18/24	1068	675	235	983
36/48/55	1650	675	235	1565

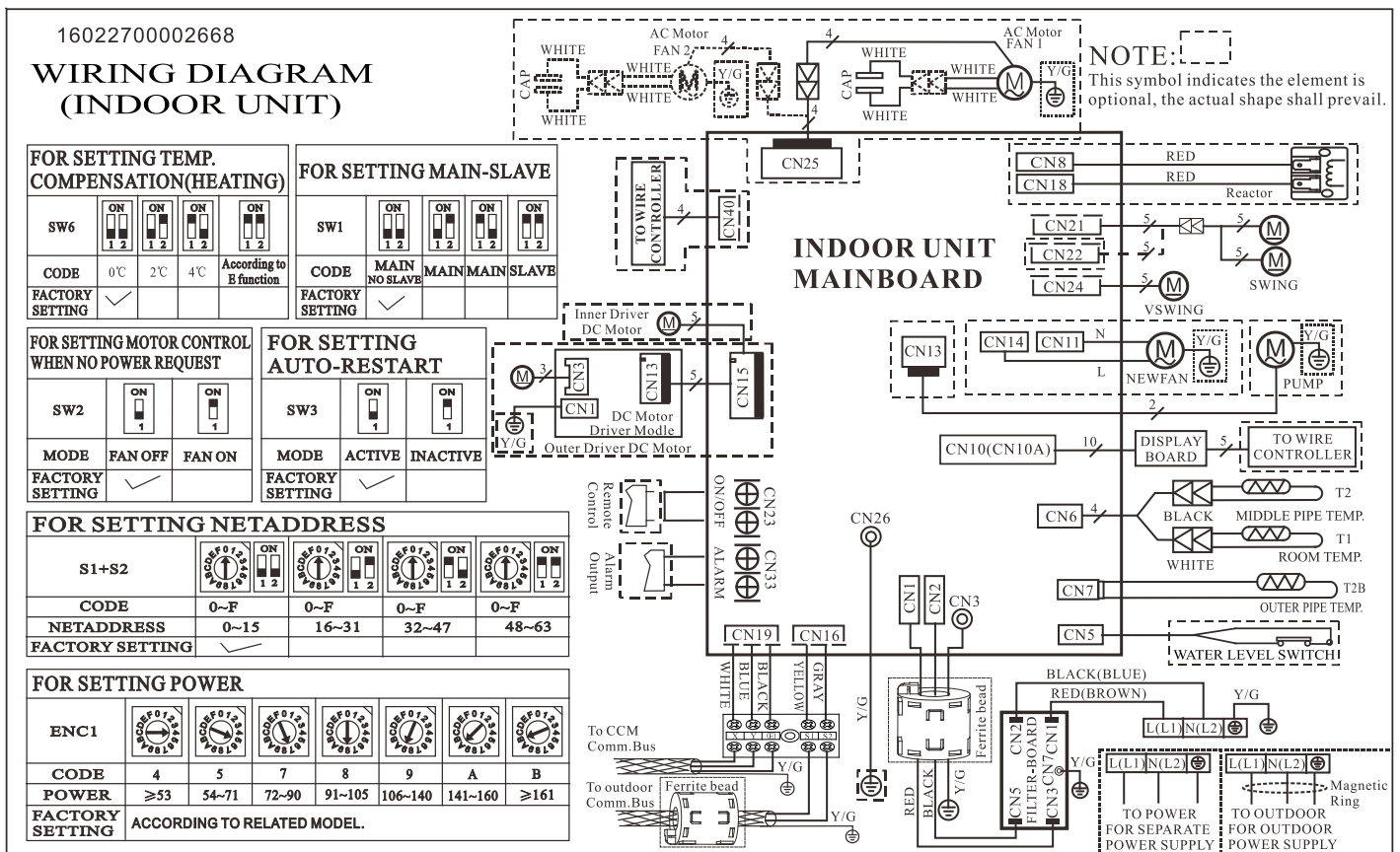
PART 2. INDOOR UNITS

3.3 SERVICE SPACE



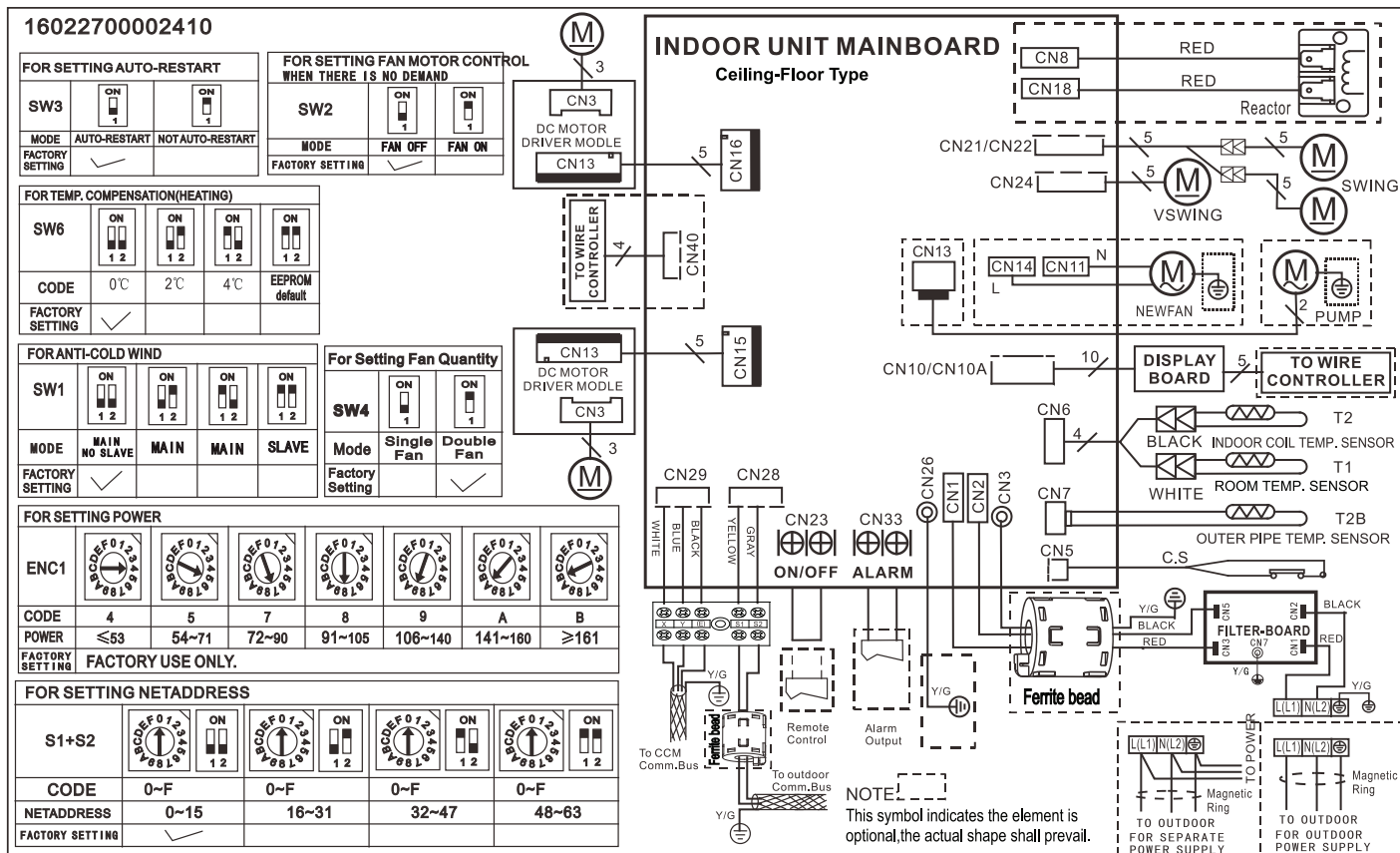
3.4 WIRING DIAGRAMS

3.4.1 Wiring diagrams J50Wi, J70Wi



PART 2. INDOOR UNITS

3.4.2 Wiring diagrams J100Wi, J140Wi, J160Wi



3.5 ELECTRIC CHARACTERISTICS

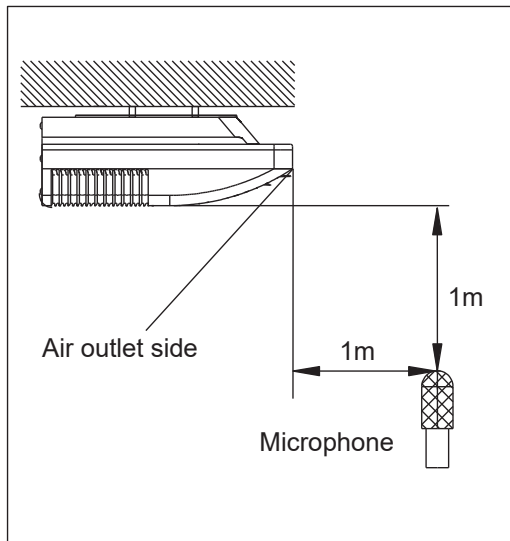
Model	Indoor Unit					POWER SUPPLY
	Hz	Voltage	Min	Max	MFA	
J50Wi	50	220-240 V	198 V	254 V	-	
J70Wi	50	220-240 V	198 V	254 V	-	
J100Wi	50	220-240 V	198 V	254 V	-	
J140Wi	50	220-240 V	198 V	254 V	-	
J160Wi	50	220-240 V	198 V	254 V	-	

NOTES:

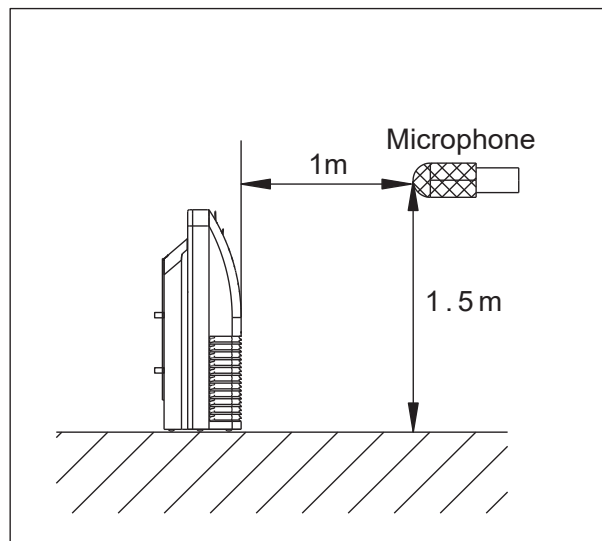
MFA: Max. Fuse Amps. (A)

PART 2. INDOOR UNITS

3.6 SOUND LEVELS



Ceiling



Floor

Model	Noise Power dB(A)	Noise level dB(A)		
		High	Medium	Low
J50Wi	56	45	40	37
J70Wi	60	50	46	41
J100Wi	61	51	47	42
J140Wi	69	54	50	46
J160Wi	68	54	47	42

PART 2. INDOOR UNITS

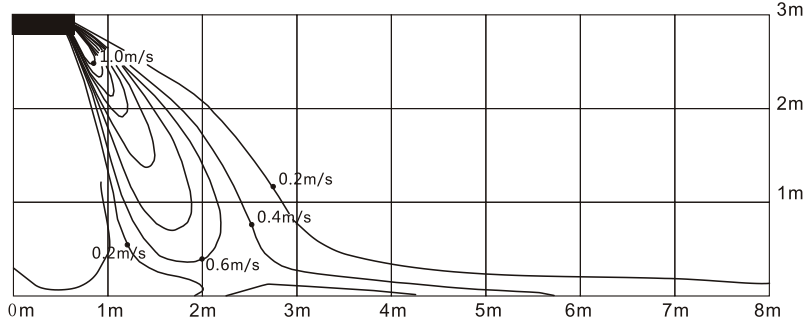
3.7 AIR VELOCITY AND TEMPERATURE DISTRIBUTIONS (Reference Data)

3.7.1 Model: 18k, 24k

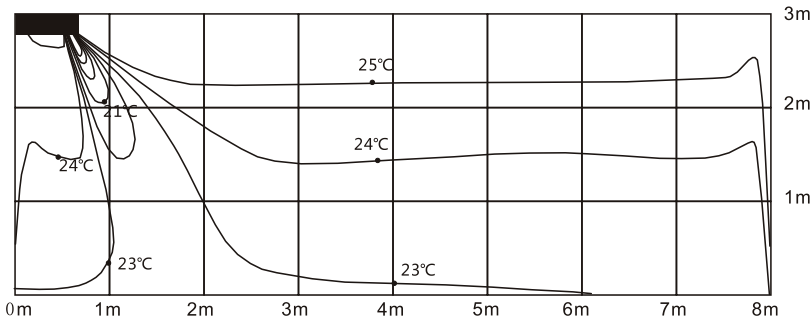
a) Ceiling installation.

- Discharge angle 17°

Cooling airflow velocity distribution

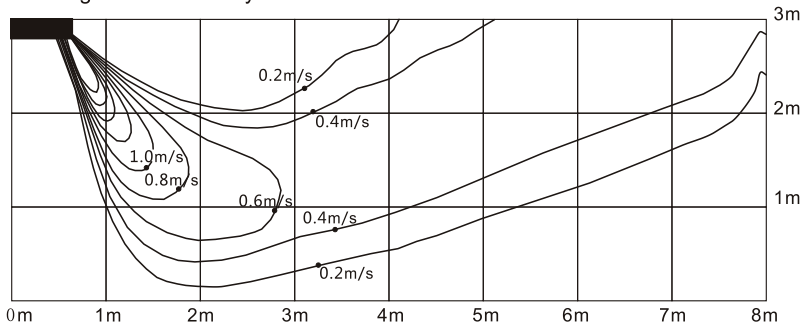


Cooling temperature distribution

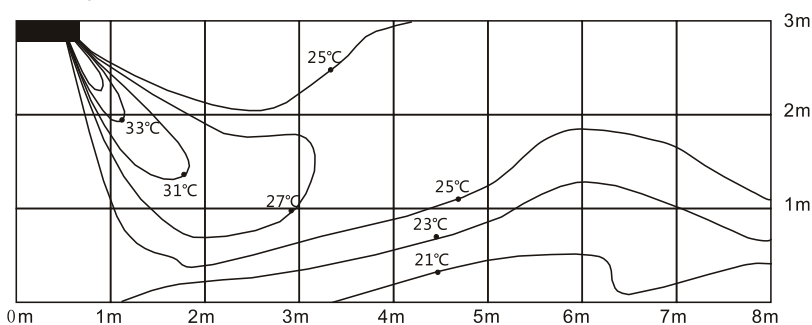


- Discharge angle 50°

Heating airflow velocity distribution



Heating temperature distribution

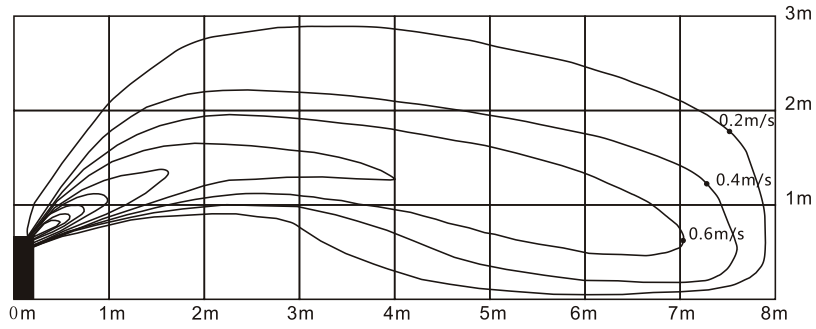


PART 2. INDOOR UNITS

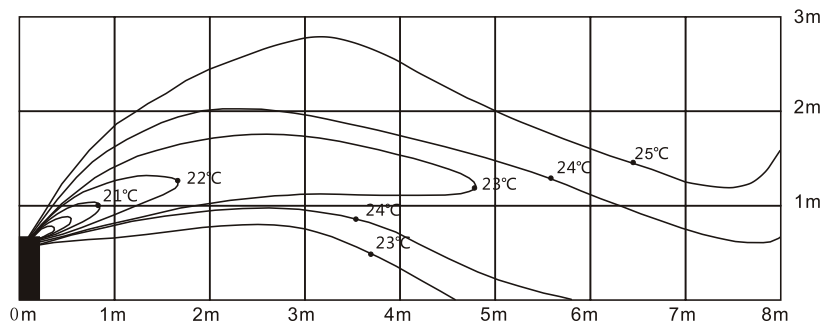
b) Floor installation.

- Discharge angle 17°

Cooling airflow velocity distribution

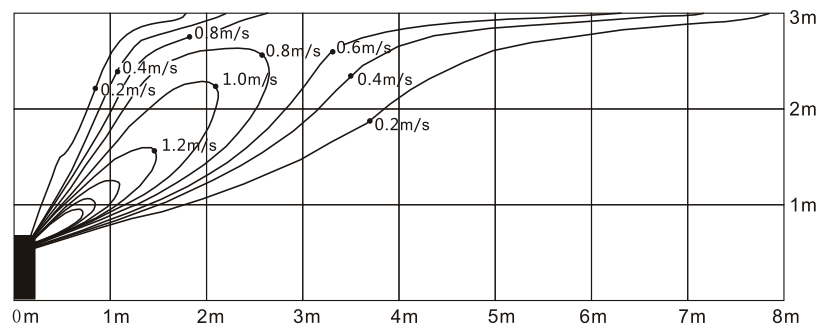


Cooling temperature distribution

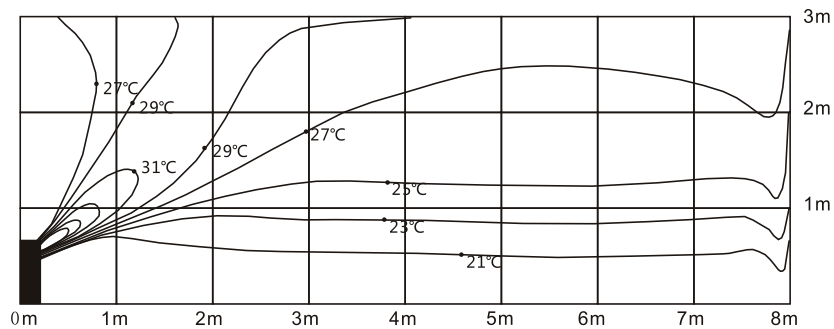


- Discharge angle 50°

Heating airflow velocity distribution



Heating temperature distribution



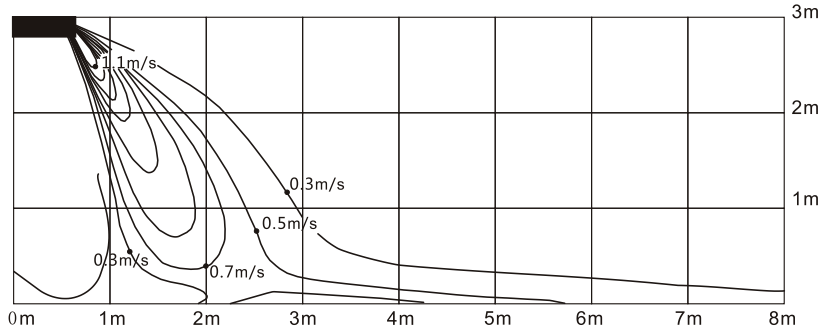
PART 2. INDOOR UNITS

3.7.2 Model: 36k

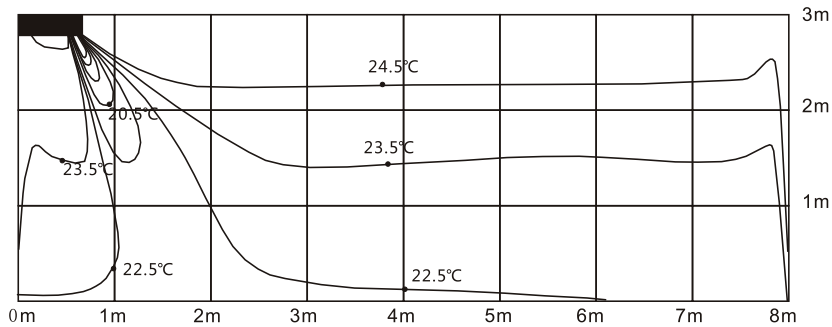
a) Ceiling installation.

- Discharge angle 17°

Cooling airflow velocity distribution

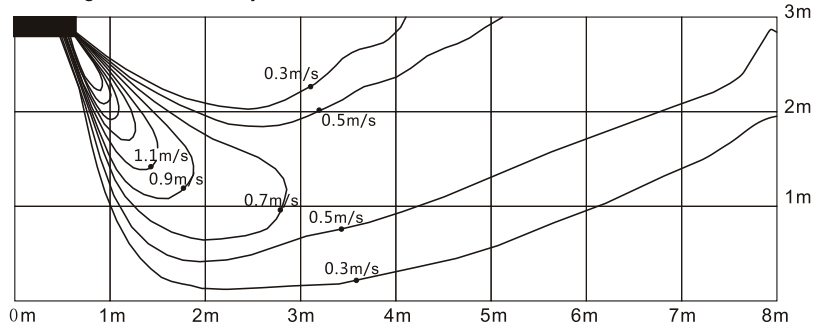


Cooling temperature distribution

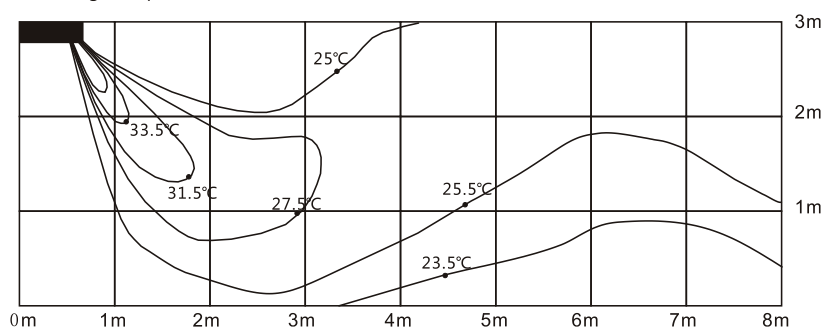


- Discharge angle 50°

Heating airflow velocity distribution



Heating temperature distribution

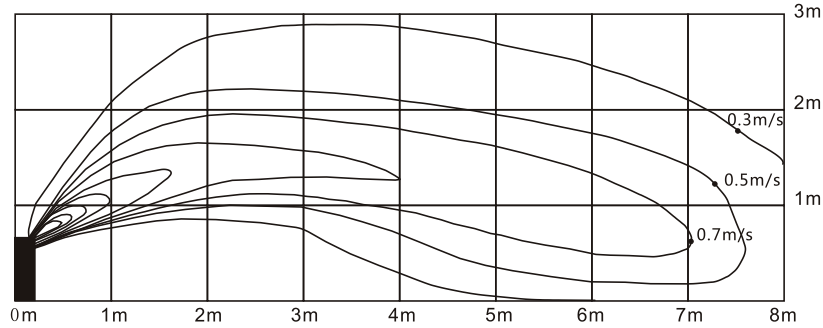


PART 2. INDOOR UNITS

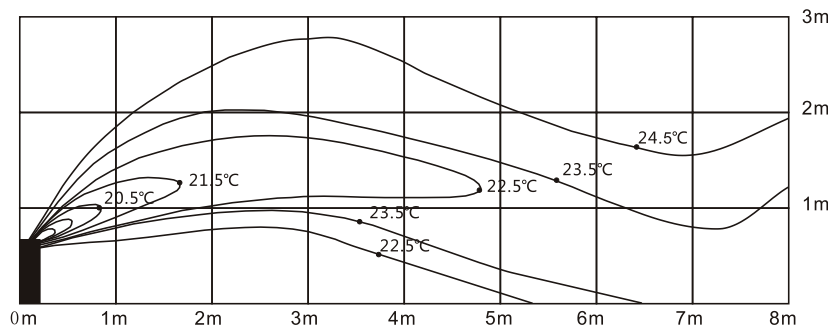
b) Floor installation.

- Discharge angle 17°

Cooling airflow velocity distribution

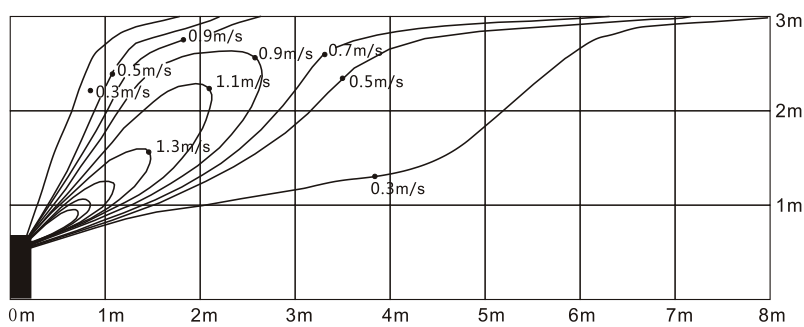


Cooling temperature distribution

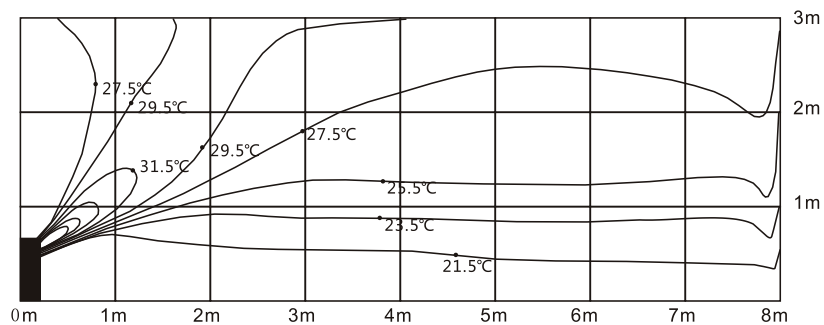


- Discharge angle 50°

Heating airflow velocity distribution



Heating temperature distribution



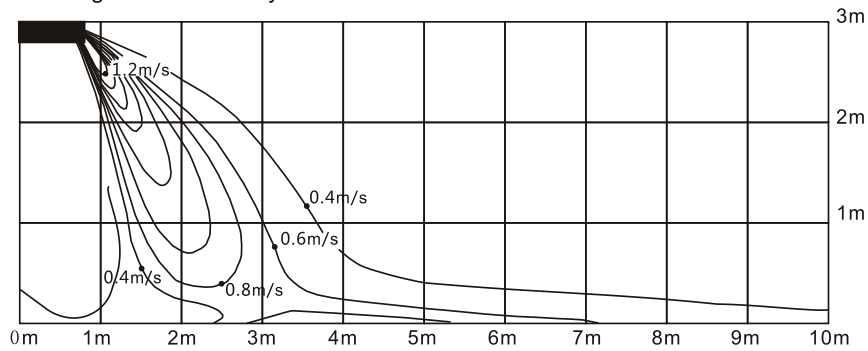
PART 2. INDOOR UNITS

3.7.3 Model: 48k, 55k

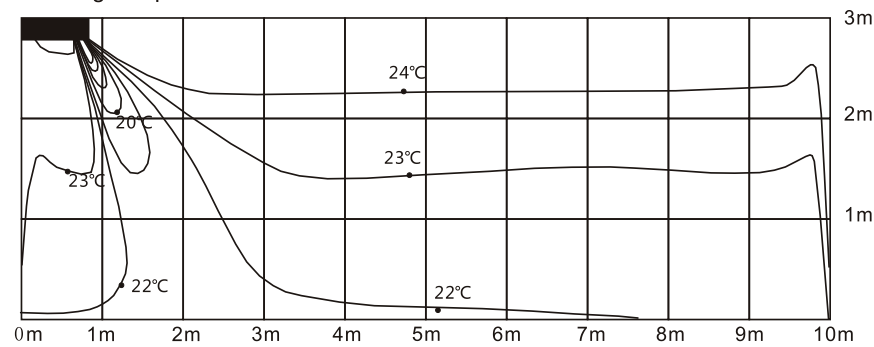
a) Ceiling installation.

- Discharge angle 17°

Cooling airflow velocity distribution

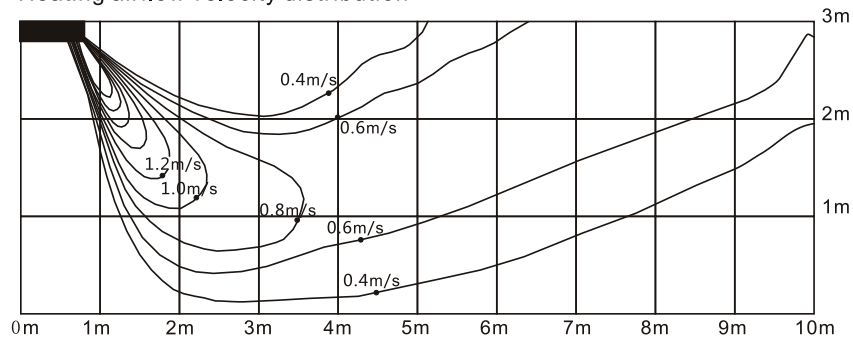


Cooling temperature distribution

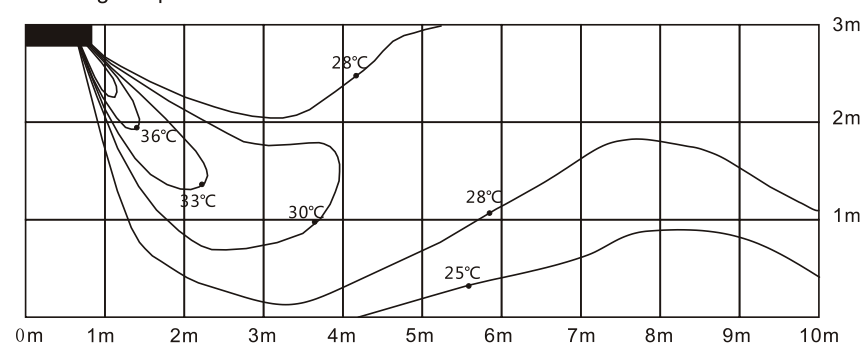


- Discharge angle 50°

Heating airflow velocity distribution



Heating temperature distribution

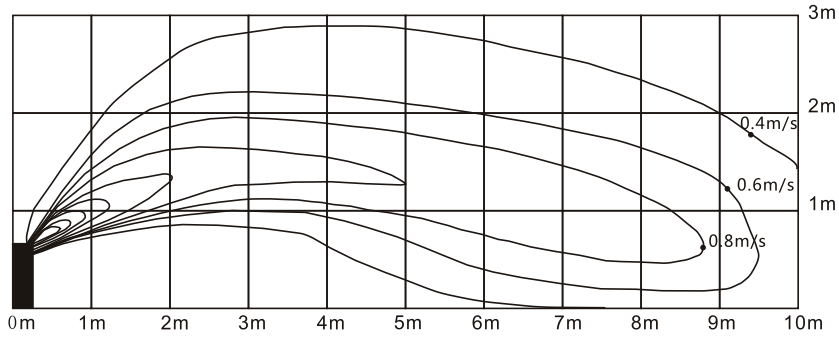


PART 2. INDOOR UNITS

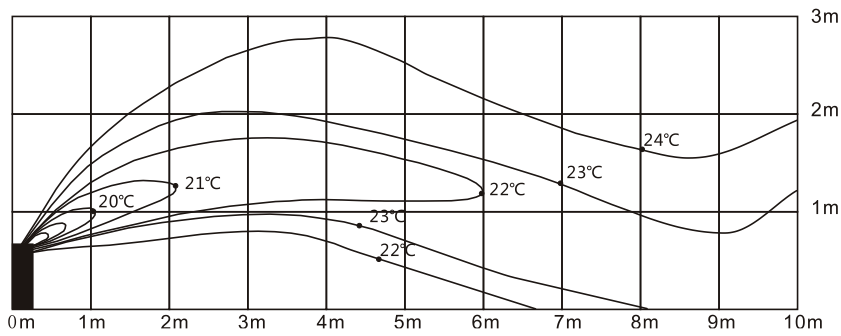
b) Floor installation.

- Discharge angle 17°

Cooling airflow velocity distribution

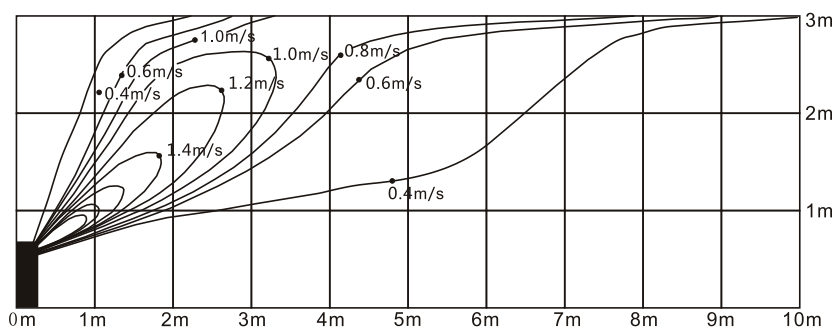


Cooling temperature distribution

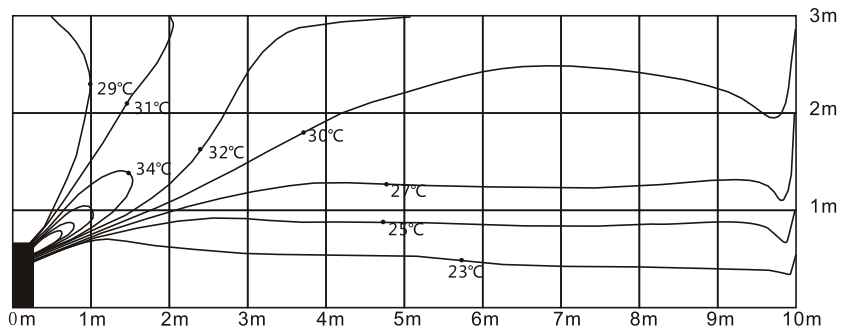


- Discharge angle 50°

Heating airflow velocity distribution










Heating temperature distribution



PART 2. INDOOR UNITS

3.8 ACCESSORIES

Item	Qty	Shape	Usage category
Remote controller	1		Remote controller & Its holder (The product you have might not be provided the following accessories)
Remote controller holder	1		
Mounting screw (ST2.9×10-C-H)	2		
Alkaline dry batteries (AM4)	2		
Owner's manual	1		Others
Installation manual	1		
Remote controller manual	1		

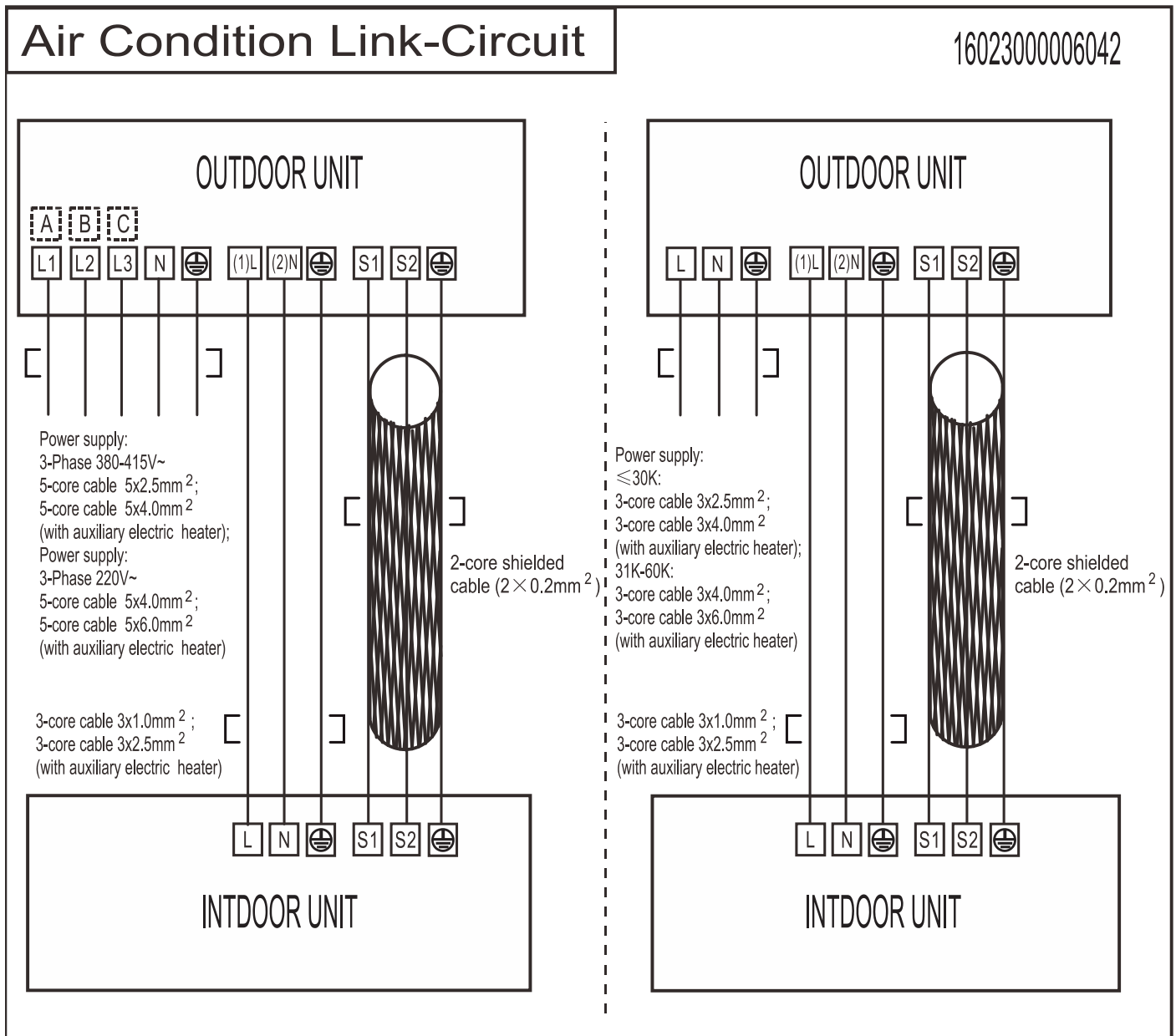
3.9 THE SPECIFICATION OF POWER

Model (Btu/h)		18000~24000	36000
Power	Phase	1-phase	1-phase
	Frequency and Voltage	220-240V, 50Hz	220-240V, 50Hz
	Power wiring (mm ²)	3×2.5	3×4.0
Circuit breaker/Fuse (A)		30/20	40/30
Indoor/Outdoor Connecting Wiring (Weak Electric Signal) (mm ²)		2×0.2	2×0.2
Indoor/Outdoor Connecting Wiring (Strong Electric Signal) (mm ²)		3×1.0	3×1.0

Model (Btu/h)		36000	48000~60000
Power	Phase	3-phase	3-phase
	Frequency and Voltage	380-415V, 50Hz	380-415V, 50Hz
	Power wiring (mm ²)	5×2.5	5×2.5
Circuit breaker/Fuse (A)		30/20	30/25
Indoor/Outdoor Connecting Wiring (Weak Electric Signal) (mm ²)		2×0.2	2×0.2
Indoor/Outdoor Connecting Wiring (Strong Electric Signal) (mm ²)		3×1.0	3×1.0

PART 2. INDOOR UNITS

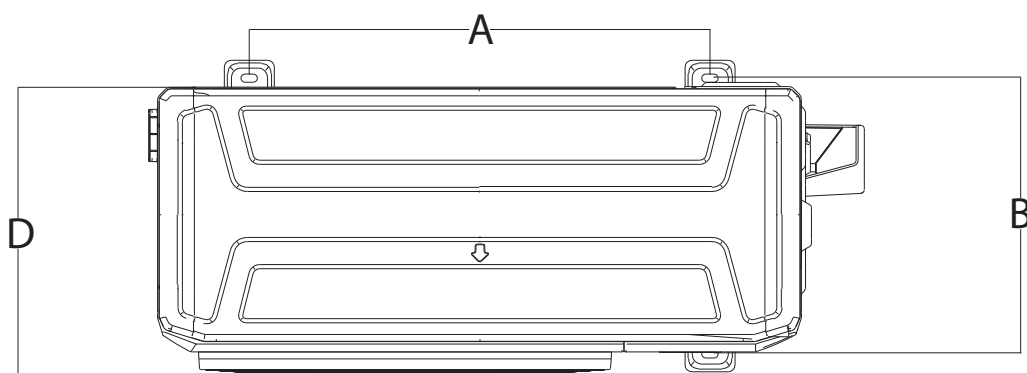
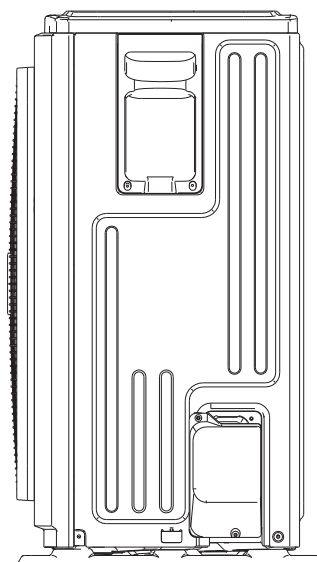
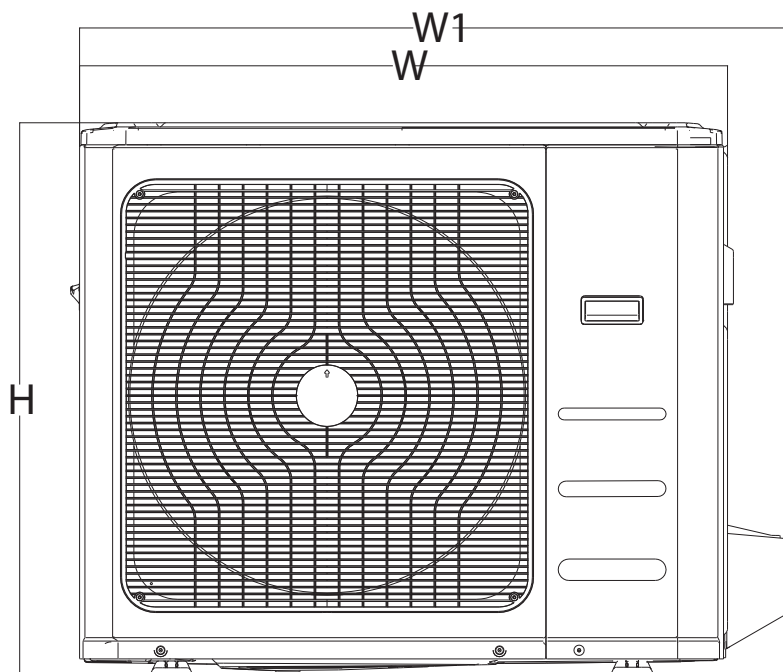
3.10 FIELD WIRING



PART 3. OUTDOOR UNITS

1. DIMENSIONS

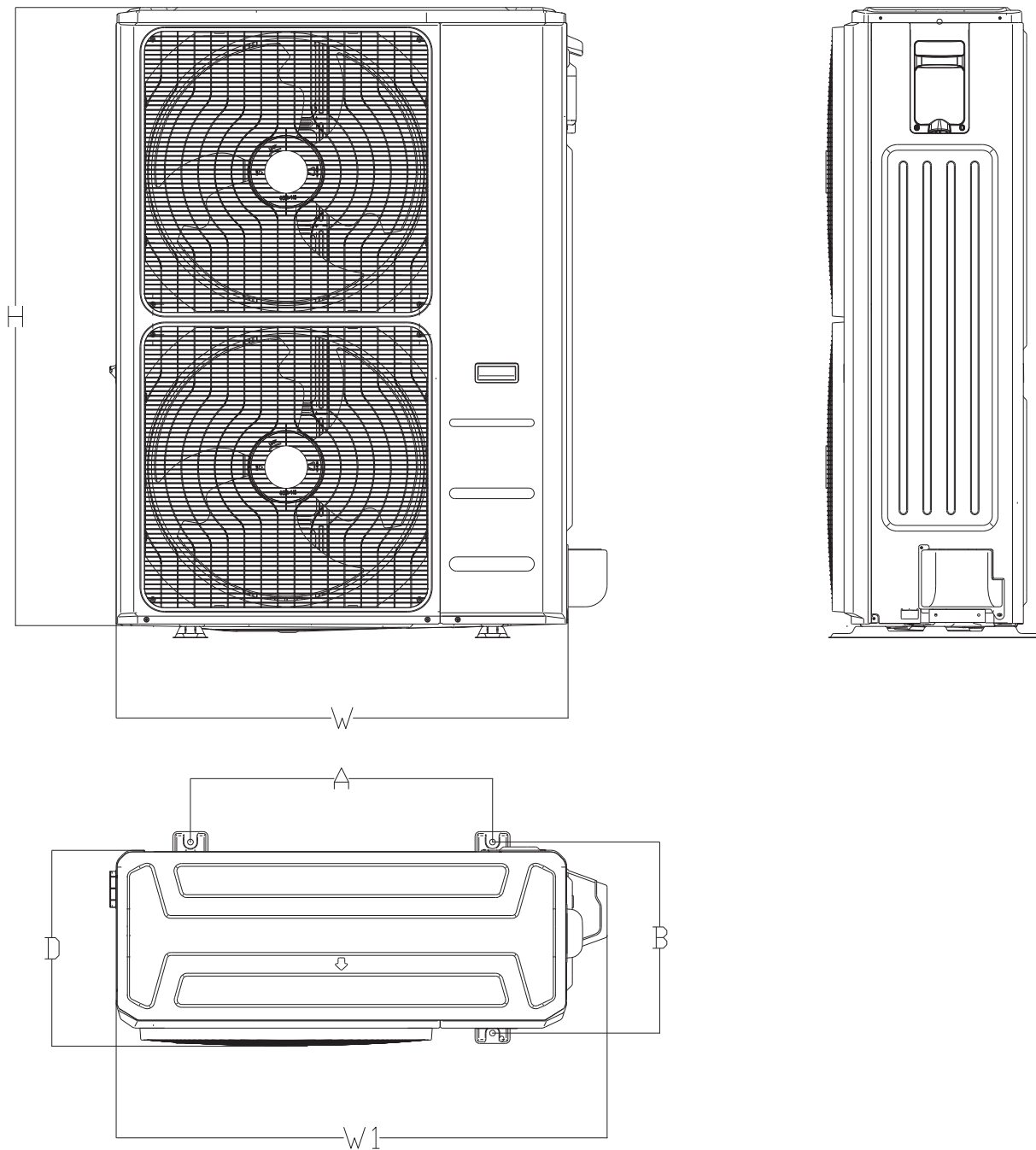
1.1 Units: 12 - 42k



							Unit: mm
Model (kBtu/h)	W	D	H	W1	A	B	
18	800	333	554	870	514	340	
24	845	363	702	914	540	350	
36	946	410	810	1030	673	403	

PART 3. OUTDOOR UNITS

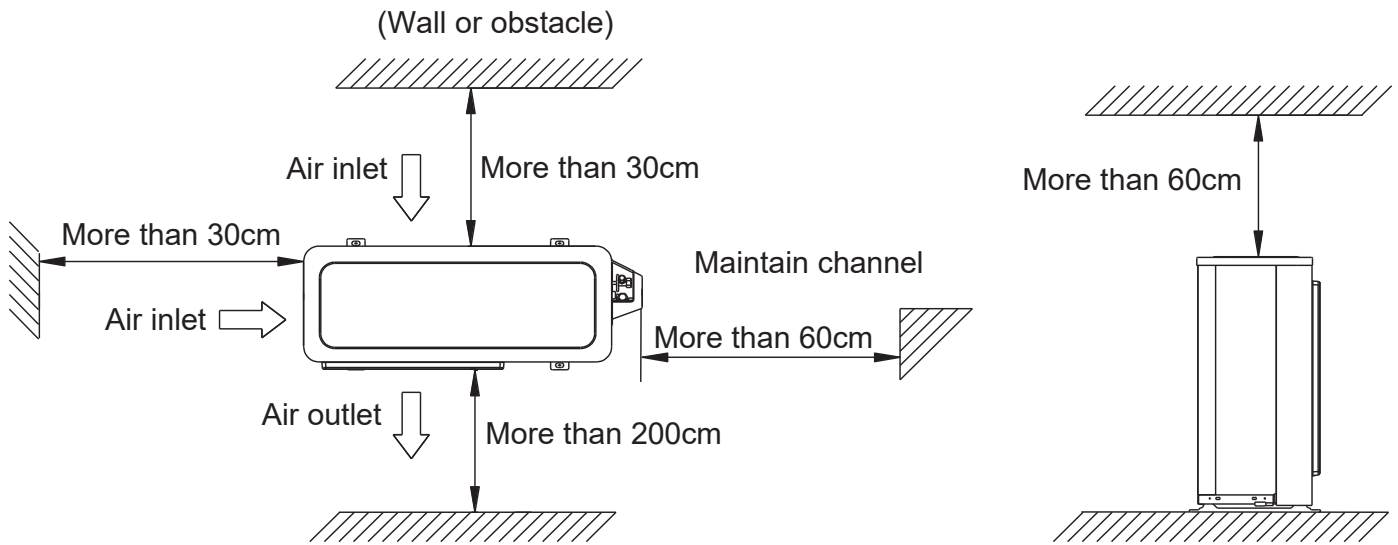
1.2 Units: 48-55k



						Unit: mm
Model (kBtu/h)	W	D	H	W1	A	B
48/55	952	415	1333	1045	634	404

PART 3. OUTDOOR UNITS

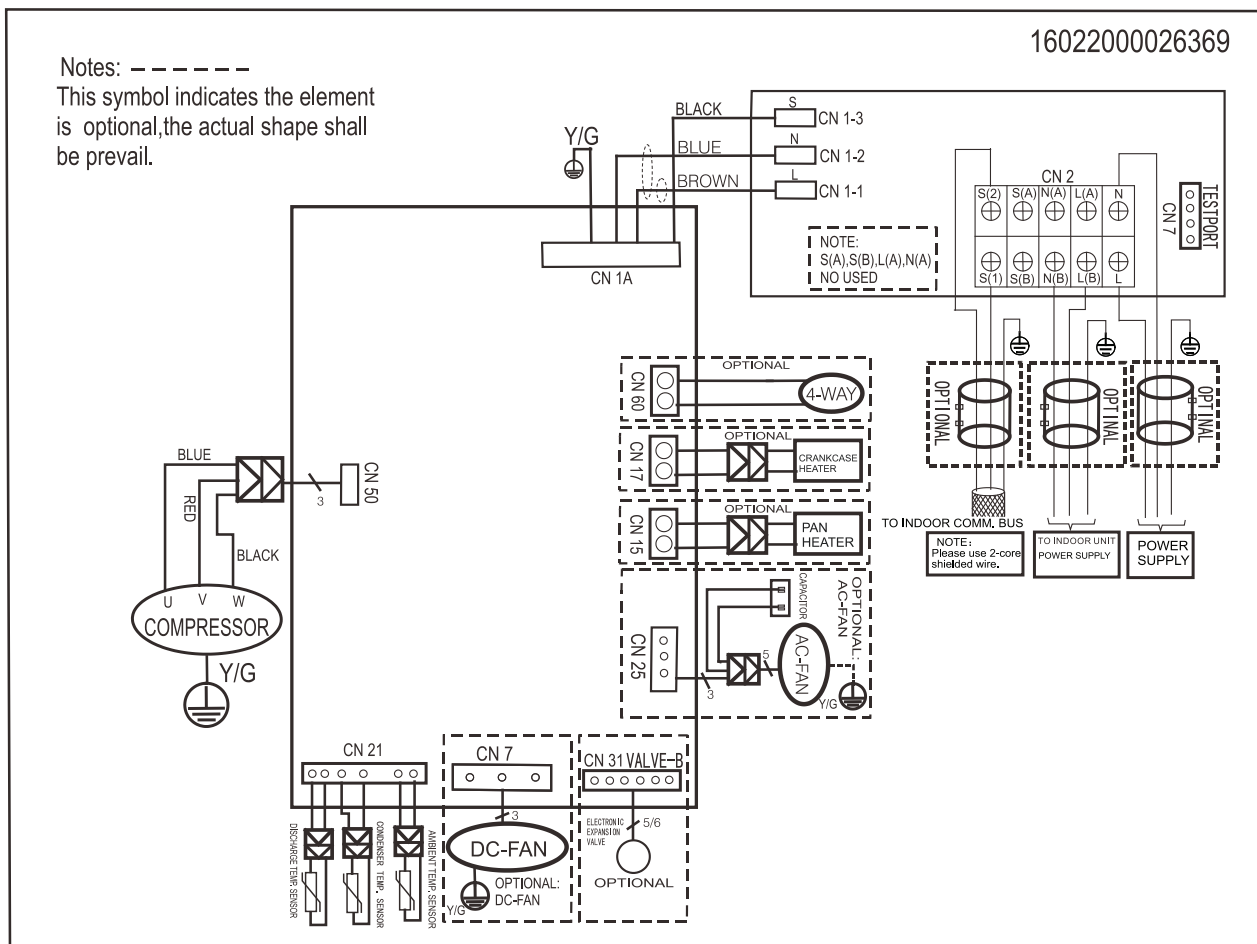
2. SERVICE SPACE



3. WIRING DIAGRAMS

3.1 Wiring diagrams:

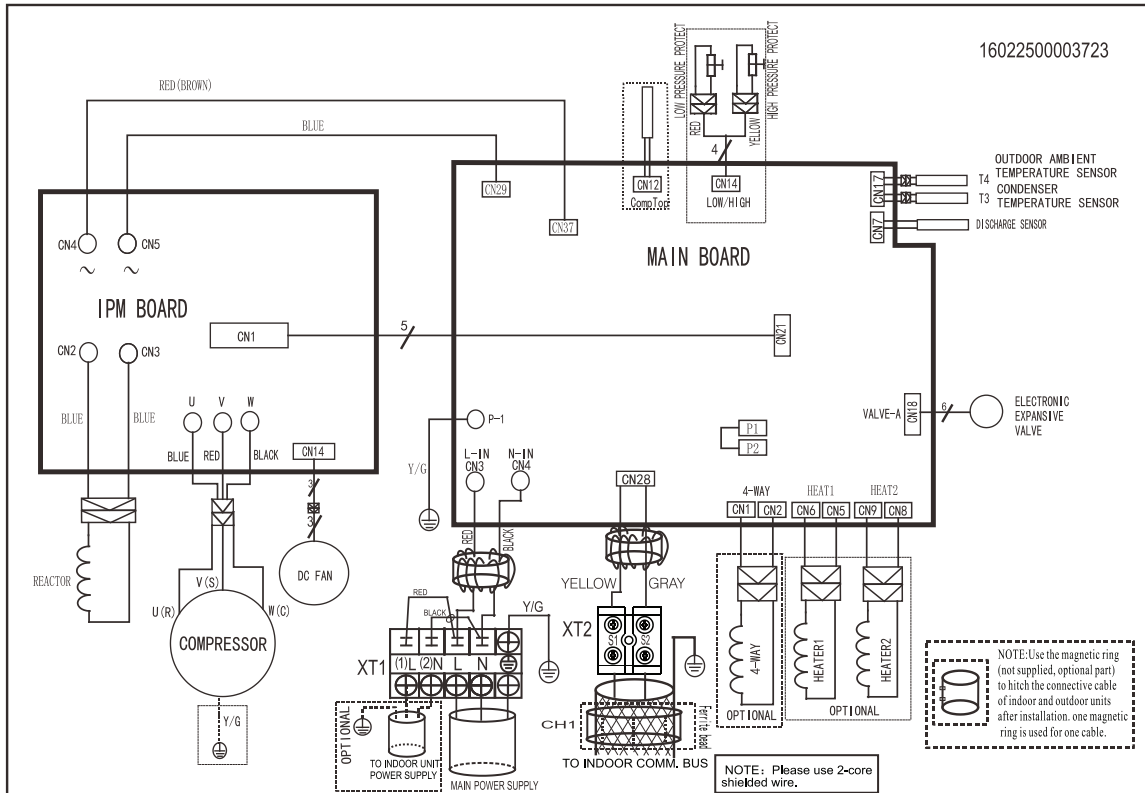
- T50Wo, N50Wo



PART 3. OUTDOOR UNITS

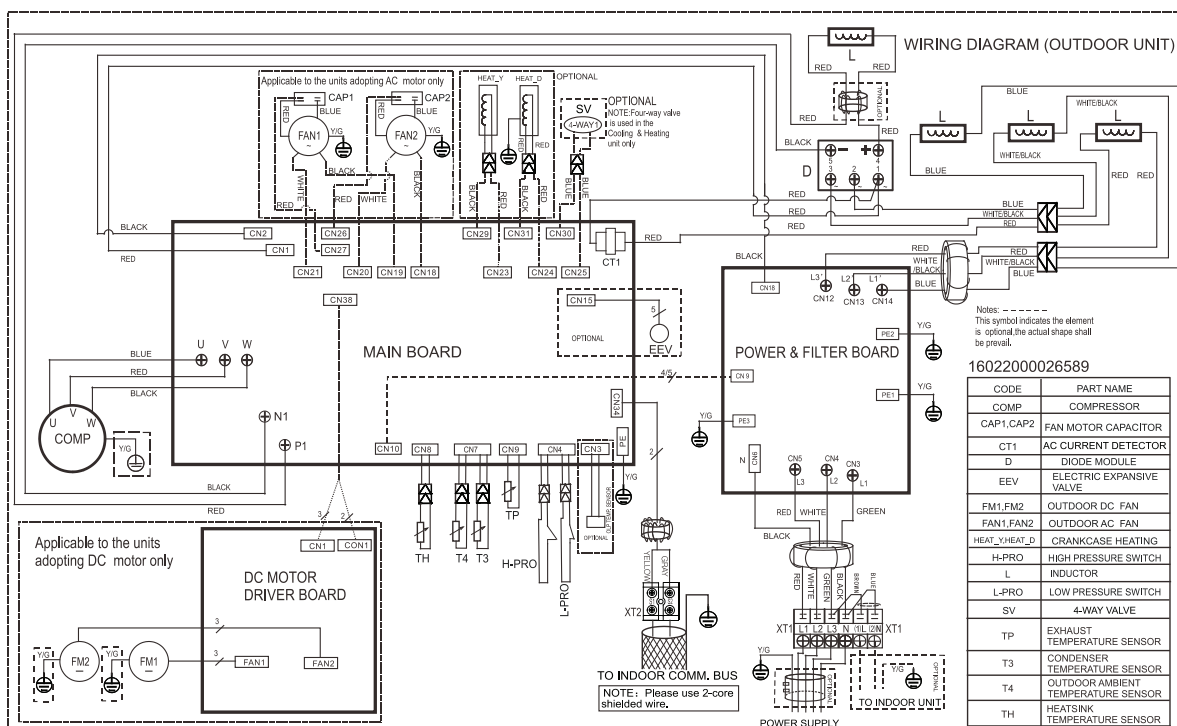
3.2 Wiring diagrams:

- T70Wo, N70Wo, J70Wo



3.3 Wiring diagrams:

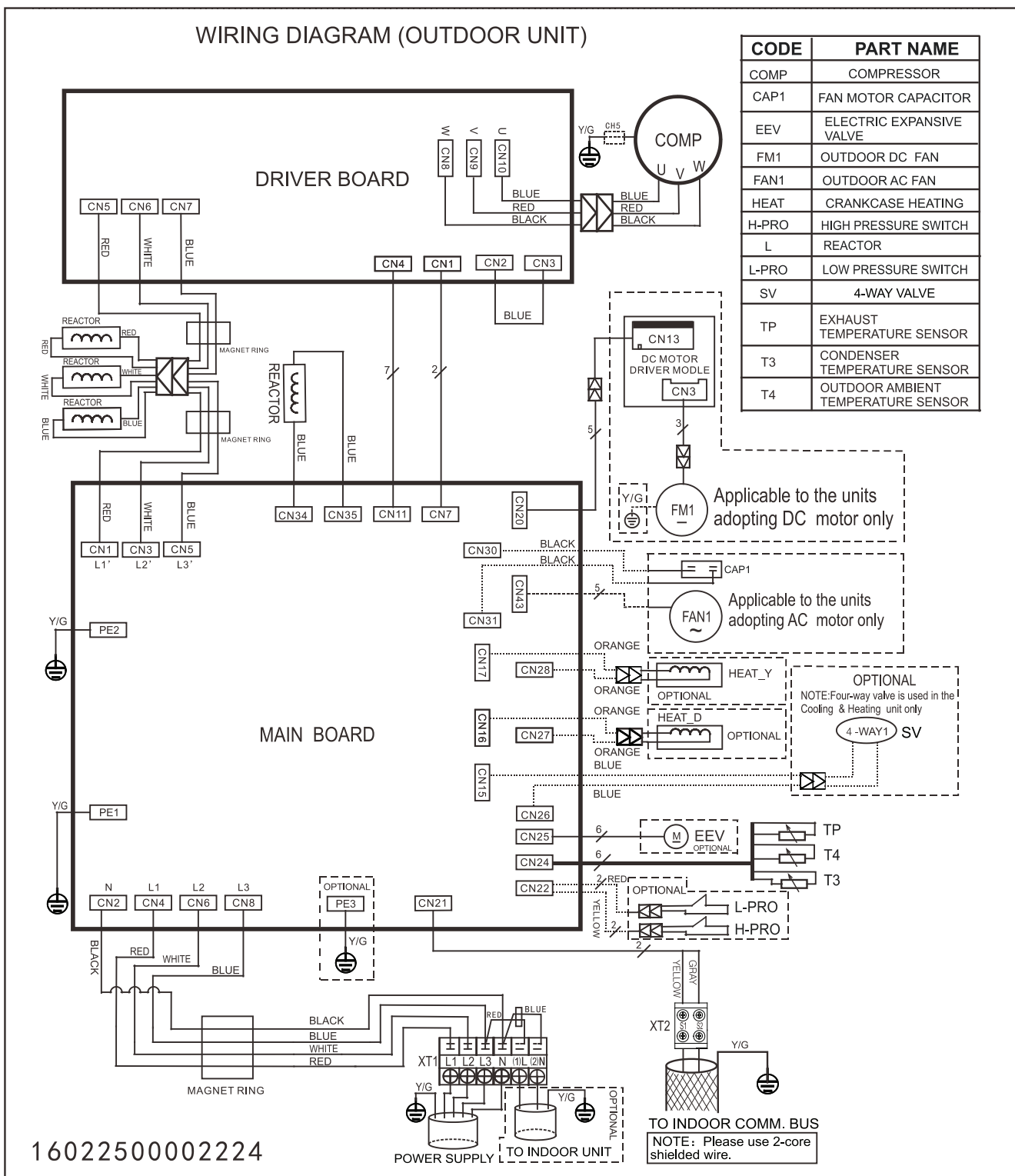
- T140Vo, T160Vo
- N140Vo, N160Vo
- J 140Vo, J160Vo



PART 3. OUTDOOR UNITS

3.4 Wiring diagrams:

- T100Wo, N100Wo, J100Wo

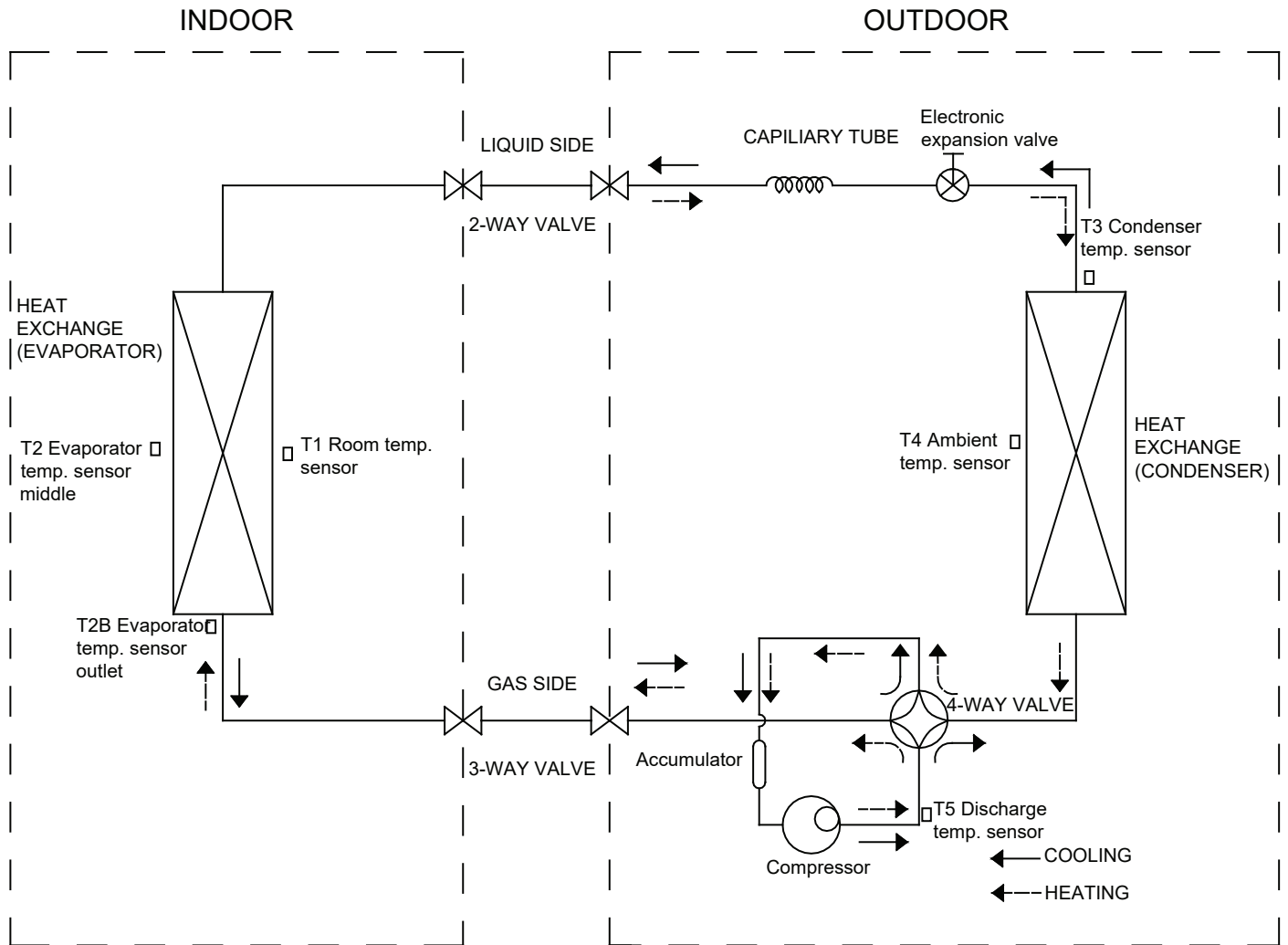


PART 3. OUTDOOR UNITS

4. PIPING DIAGRAMS

4.1 Wiring diagrams:

- T70Wo
- N50Wo, N70Wo
- J50Wo, J70Wo

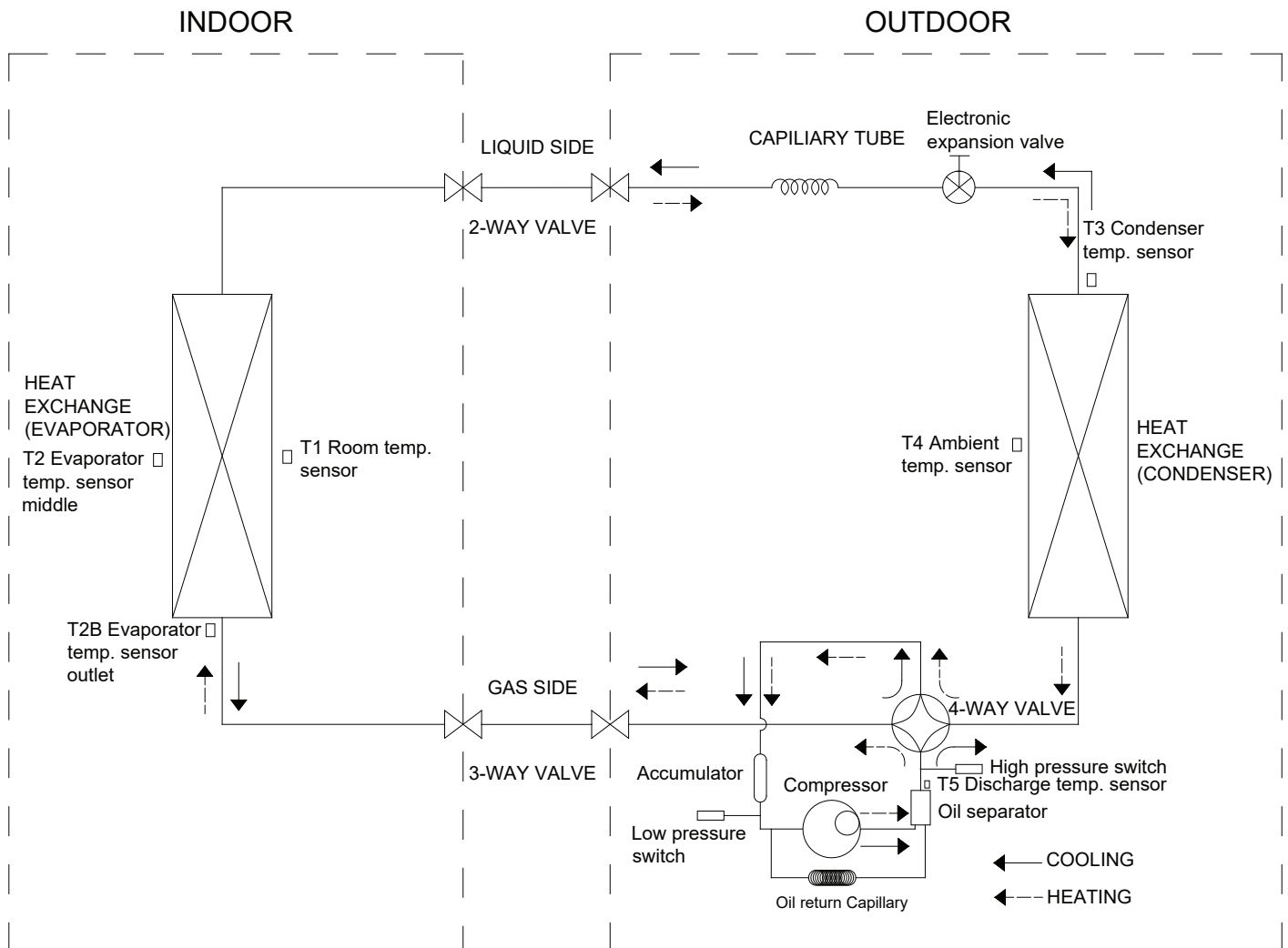


NOTES:

For units: T70Wo, N70Wo, J70Wo there is no accumulator.

4.2 Wiring diagrams:

- T100Vo, T140Vo
- N100Vo, N140Vo
- J100Vo, J140Vo



PART 3. OUTDOOR UNITS

5. ELECTRIC CHARACTERISTICS

Model	Outdoor Unit				POWER SUPPLY
	Hz	Voltage	Min	Max	MFA
N50Wo	50	220-240 V	198 V	254 V	20
J50Wo					
T70Wo	50	220-240 V	198 V	254 V	20
N70Wo					
J70Wo					
T100Wo	50	380-415 V	342 V	440 V	20
N100Wo					
J100Wo					
T140Wo	50	380-415 V	342 V	440 V	25
N140Wo					
J140Wo					
T160Wo	50	380-415 V	342 V	440 V	25
N160Wo					
J160Wo					

NOTES:

MFA: Max. Fuse Amps. (A)

6. OPERATION LIMITS

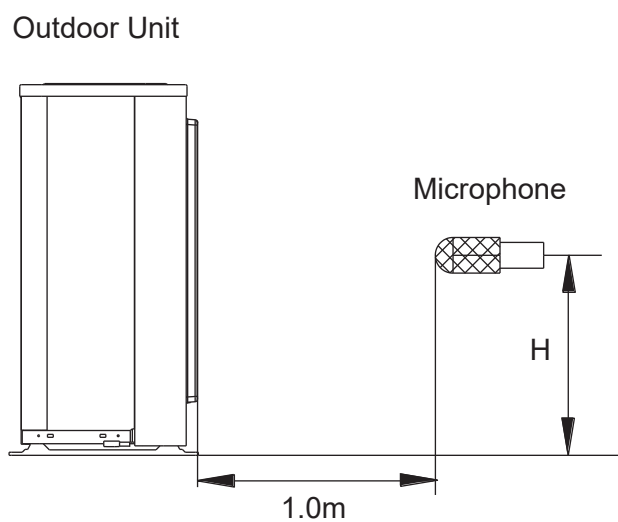
Mode \ Temperature	Cooling operation	Heating operation	Drying operation
Room temperature	17°C~32°C	0°C~30°C	17°C~32°C
Outdoor temperature	0°C~50°C	-15°C~24°C	0°C~50°C
	-15°C~50°C: For the models with low temperature cooling system		

CAUTION:

1. If the air conditioner is used beyond the above conditions, certain safety protection features may come into operation and cause the unit to operate abnormally.
2. The room relative humidity should be less than 80%. If the air conditioner operates beyond this figure, the surface of the air conditioner may attract condensation. Please set the vertical air flow louver to its maximum angle (vertically to the floor), and set HIGH fan mode.
3. The optimum performance will be achieved during this operating temperature zone.

PART 3. OUTDOOR UNITS

7. SOUND LEVELS

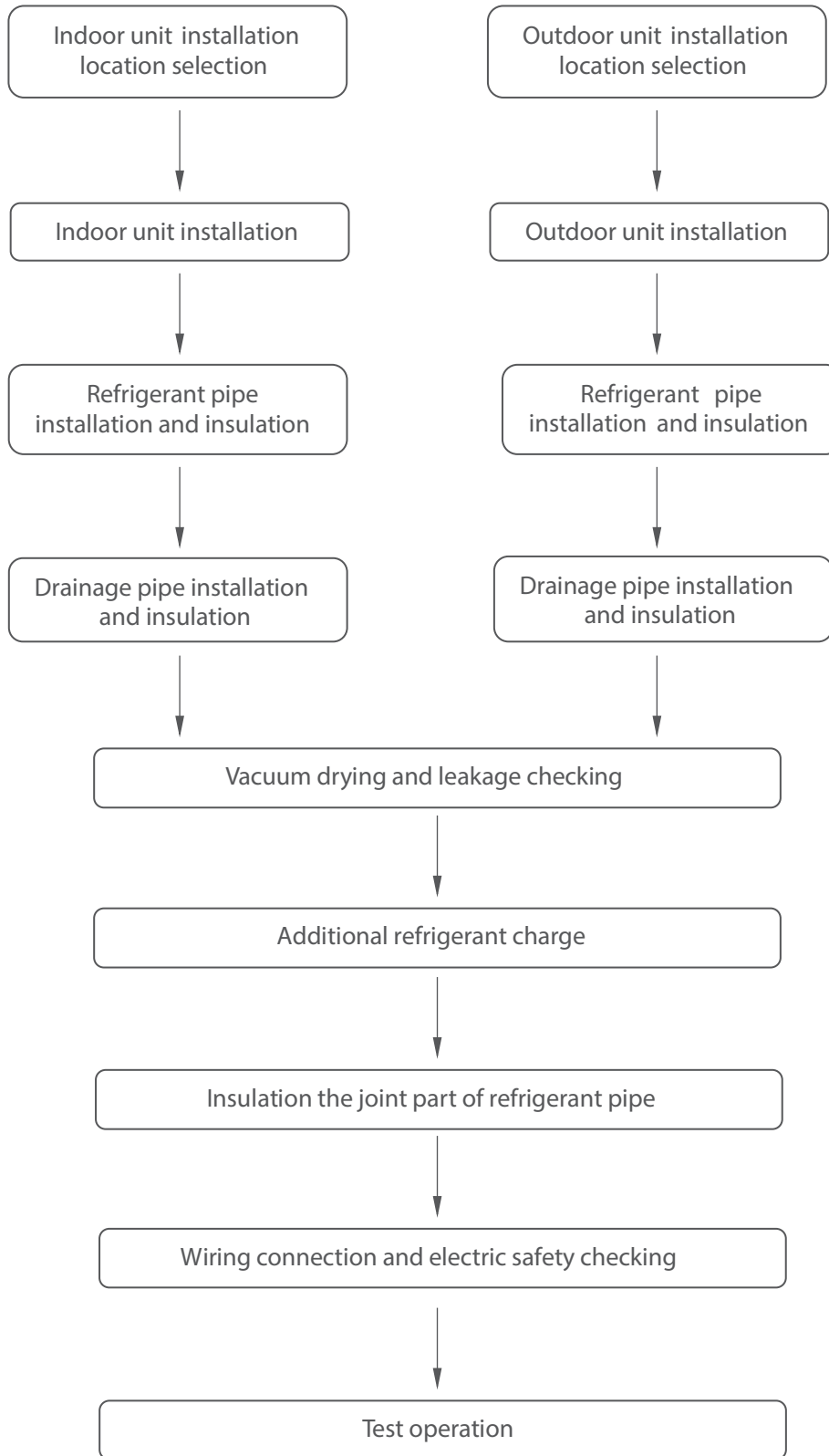


NOTE: $H = 0.5 \times \text{height of outdoor unit}$

Model	Noise Power dB(A)	Noise level dB(A)
N50Wo	65	57
J50Wo		
T70Wo	65	62
N70Wo		
J70Wo		
T100Wo	66	64
N100Wo		
J100Wo		
T140Wo	74	66
N140Wo		
J140Wo		
T160Wo	74	65
N160Wo		
J160Wo		

PART 4. INSTALLATION

1. INSTALLATION PROCEDURE



PART 4. INSTALLATION

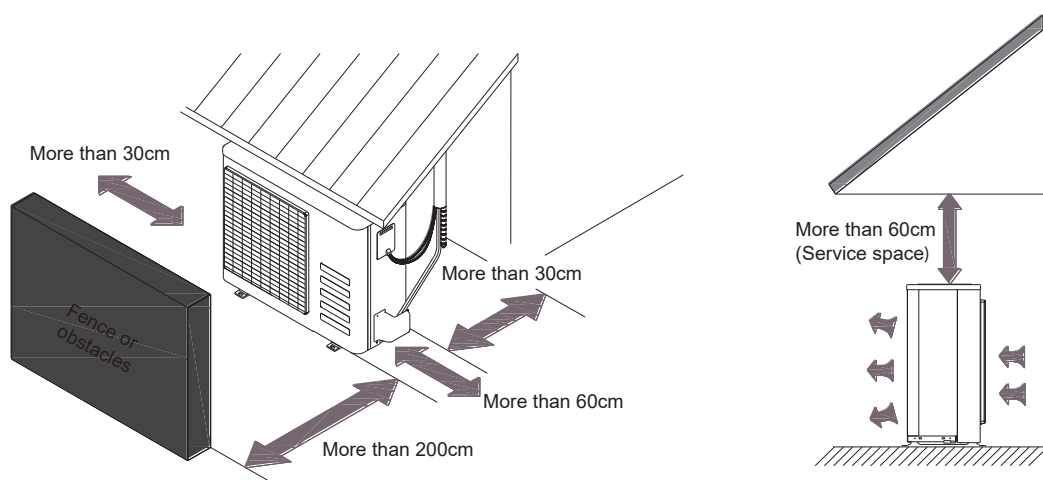
2. LOCATION SELECTION

2.1 Indoor unit location selection

- The place shall easily support the indoor unit's weight.
- The place can ensure the indoor unit installation and inspection.
- The place can ensure the indoor unit horizontally installed.
- The place shall allow easy water drainage.
- The place shall easily connect with the outdoor unit.
- The place where air circulation in the room should be good.
- There should not be any heat source or steam near the unit.
- There should not be any oil gas near the unit
- There should not be any corrosive gas near the unit
- There should not be any salty air near the unit
- There should not be strong electromagnetic wave near the unit
- There should not be inflammable materials or gas near the unit
- There should not be strong voltage vibration.

2.2 Outdoor unit location selection

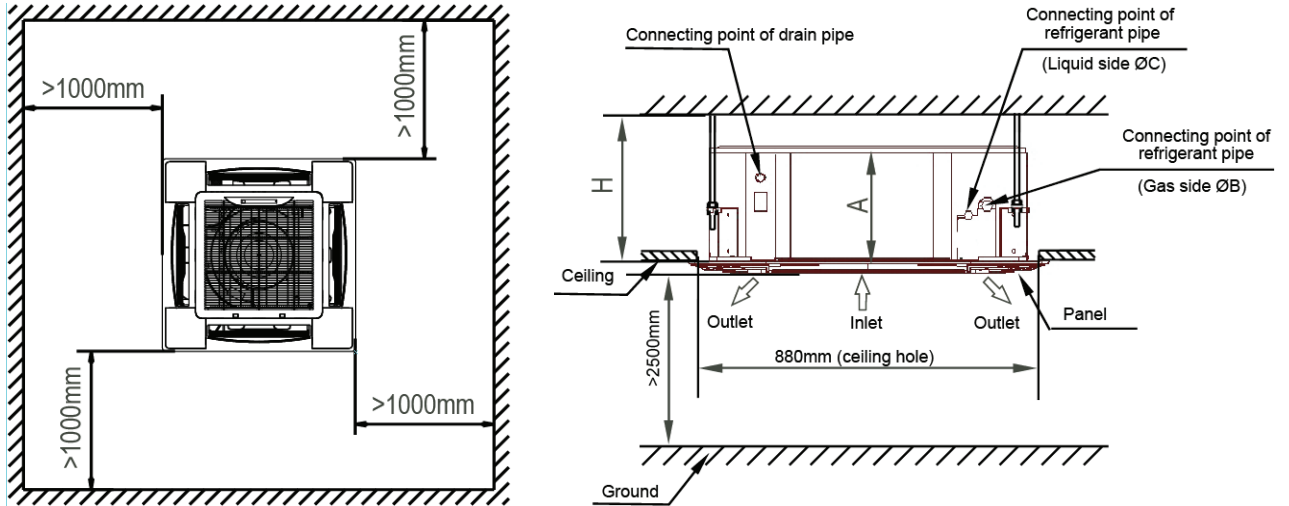
- The place shall easily support the outdoor unit's weight.
- Locate the outdoor unit as close to indoor unit as possible
- The piping length and height drop can not exceed the allowable value.
- The place where the noise, vibration and outlet air do not disturb the neighbors.
- There is enough room for installation and maintenance.
- The air outlet and the air inlet are not impeded, and not face the strong wind.
- It is easy to install the connecting pipes and cables.
- There is no danger of fire due to leakage of inflammable gas.
- It should be a dry and well ventilation place
- The support should be flat and horizontal
- Do not install the outdoor unit in a dirty or severely polluted place, so as to avoid blockage of the heat exchanger in the outdoor unit.
- If is built over the unit to prevent direct sunlight, rain exposure, direct strong wind, snow and other scraps accumulation, make sure that heat radiation from the condenser is not restricted.



PART 4. INSTALLATION

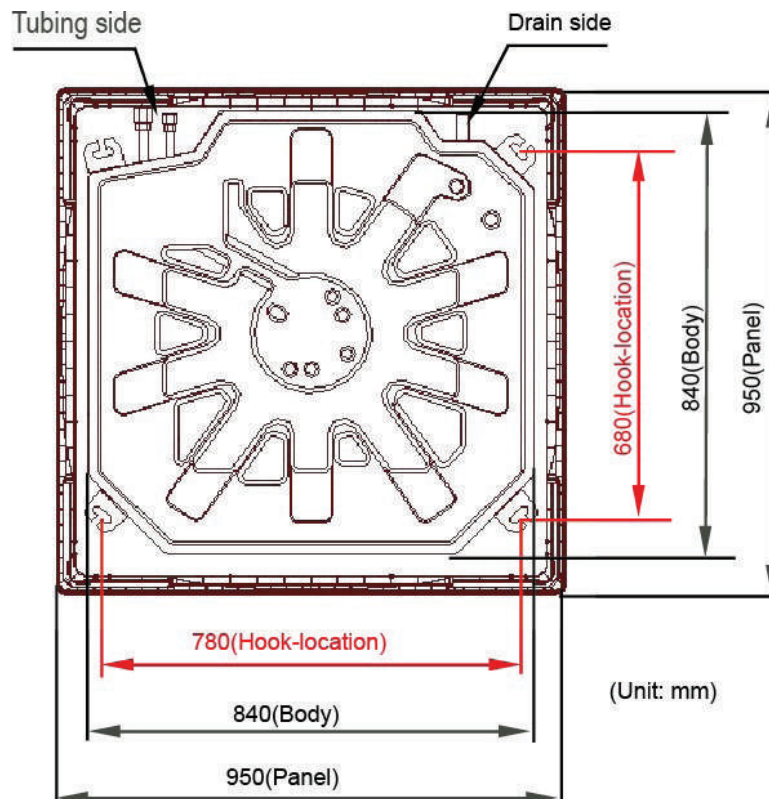
3.1 TENJI - SUPER SLIM CASSETTE INDOOR UNIT INSTALLATION

3.1.1 Service space for indoor unit



Unit: mm		
Model (kBtu/h)	A	H
18	205	>235
24~36	245	>275
48~55	287	>317

3.1.2 Bolt pitch



PART 4. INSTALLATION

3.1.3 Install the pendant bolt

Select the position of installation hooks according to the hook holes positions showed in upper picture. Drill four holes of $\text{Ø}12\text{mm}$, 45~50mm deep at the selected positions on the ceiling. Then embed the expansible hooks (fittings).

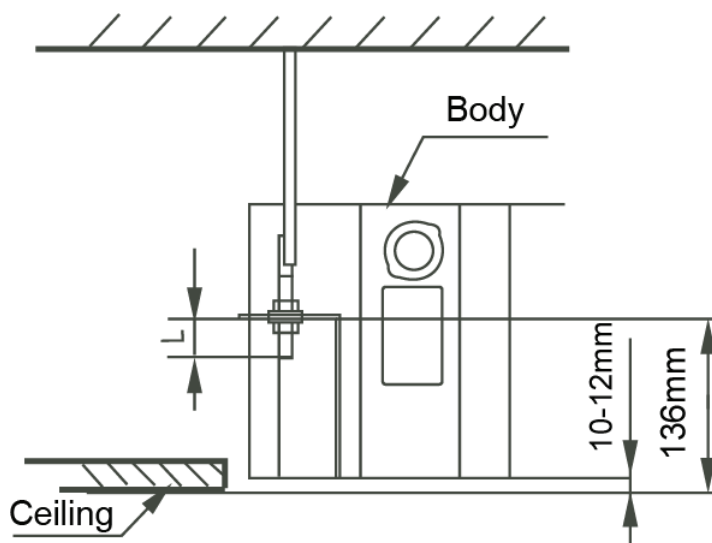


3.1.4 Install the main body

Make the 4 suspender through the 4 hanger of the main body to suspend it. Adjust the hexangular nuts on the four installation hooks evenly, to ensure the balance of the body. Use a leveling instrument to make sure the levelness of the main body is within $\pm 1^\circ$.

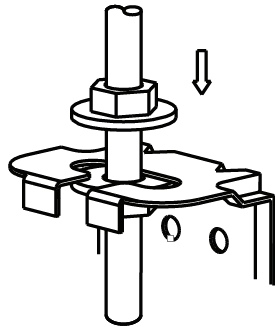


Adjust the position to ensure the gaps between the body and the four sides of ceiling are even. The body's lower part should sink into the ceiling for 10~12 mm. In general, L is half of the screw length of the installation hook.



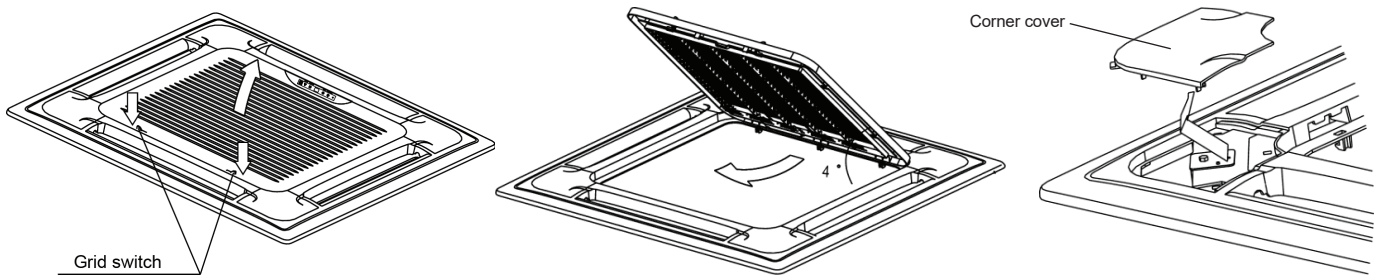
PART 4. INSTALLATION

Locate the air conditioner firmly by wrenching the nuts after having adjusted the body's position well.

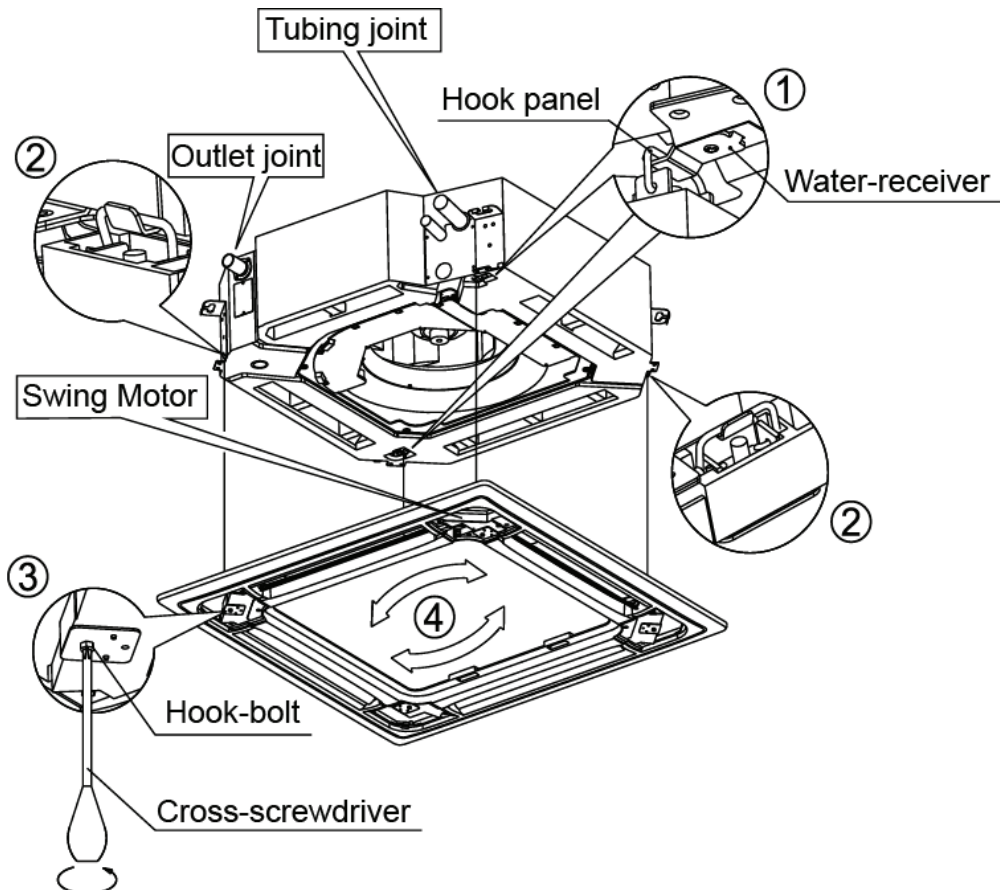


3.1.5 Install the panel

Remove the grille and corner covers.

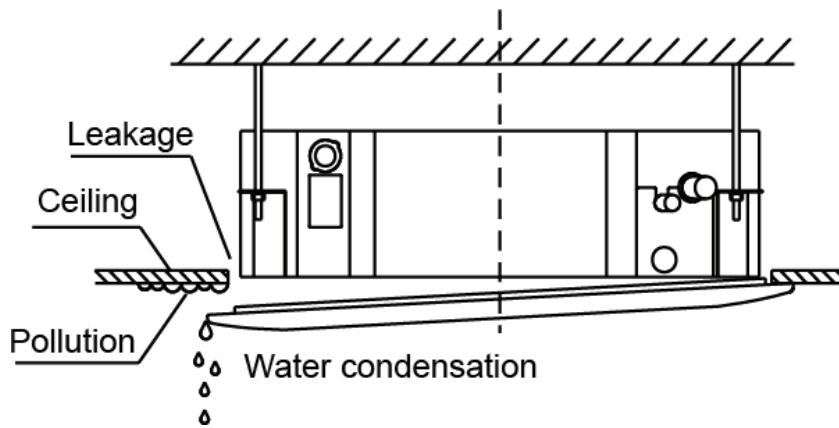
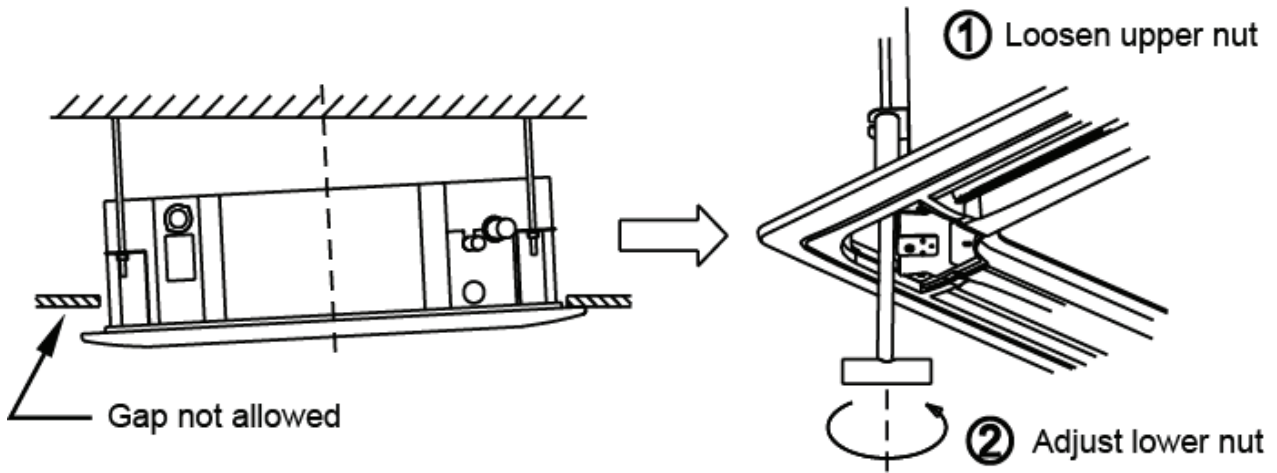


Hang the panel to the hooks on the mainbody. If the panel is with auto-lift grille, please watch the ropes lifting the grille, DO NOT make the ropes entwined or blocked.



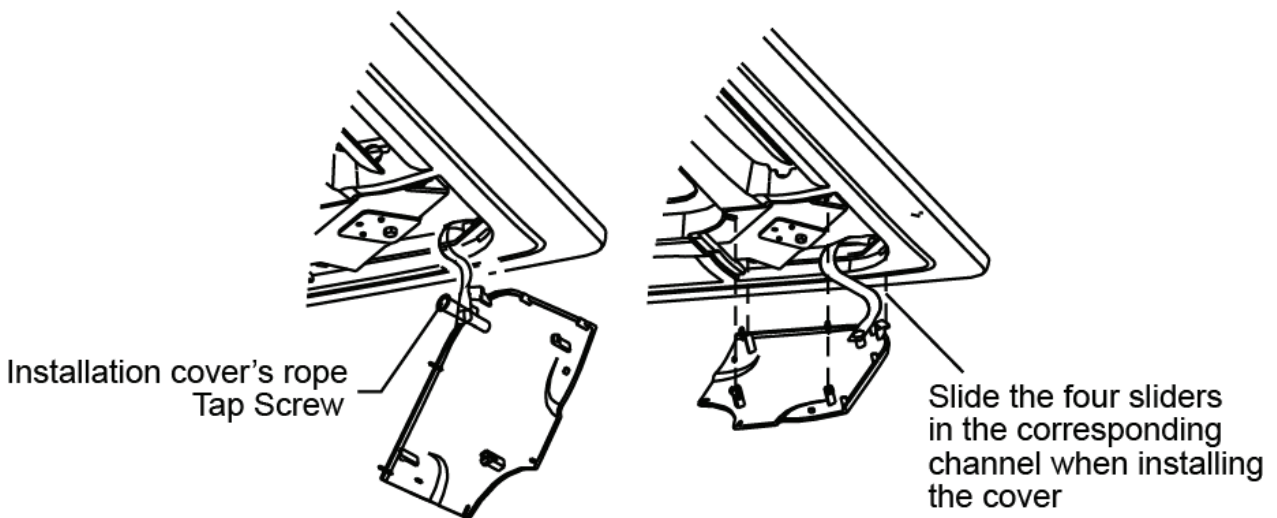
PART 4. INSTALLATION

Tighten the screws under the panel hooks till the panel closely stick on the ceiling to avoid condensate water



Hang the air-in grill to the panel, then connect the lead terminator of the swing motor and that of the control box with corresponding terminators on the body respectively.

Install the 4 corner covers back

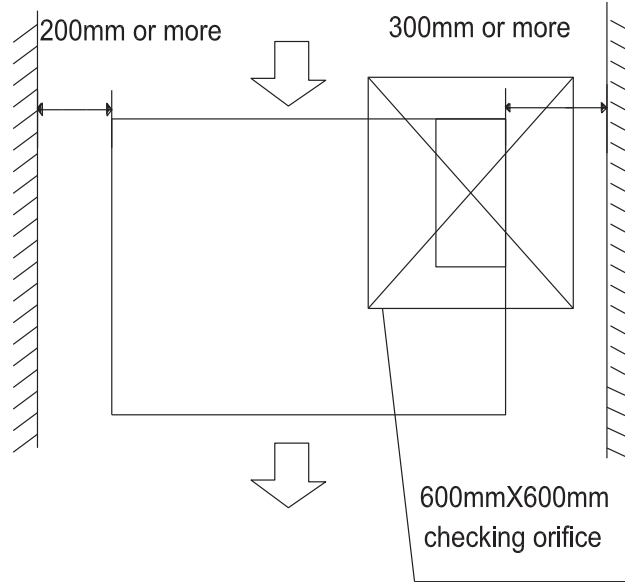


NOTE: The panel shall be installed after the wiring connected.

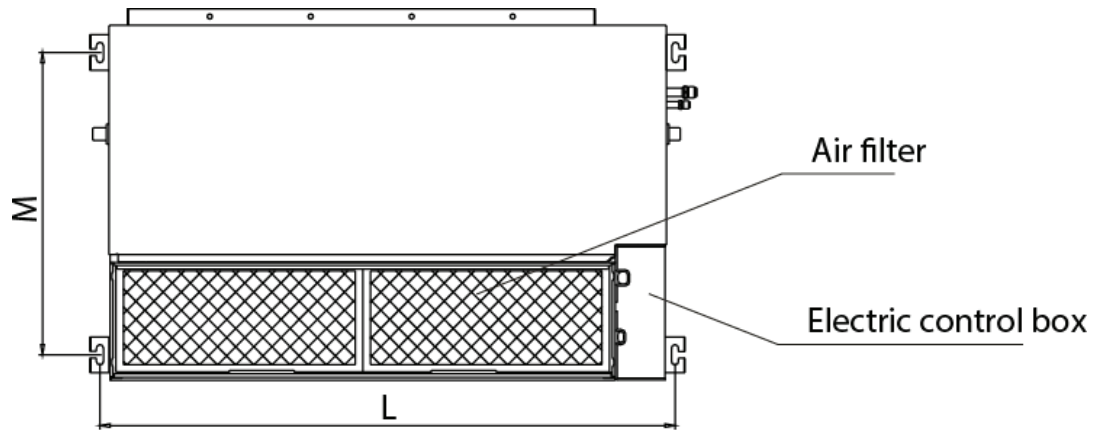
PART 4. INSTALLATION

3.2 NEVO - DUCT INDOOR UNIT INSTALLATION

3.2.1 Service space for indoor unit



3.2.2 Bolt pitch

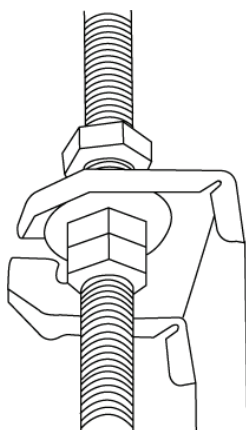


Unit: mm		
Model (kBtu/h)	Size of outline dimension mounted lug	
	L	M
18	920	508
24	1140	598
36	1400	598
48	1240	697
55	1240	697

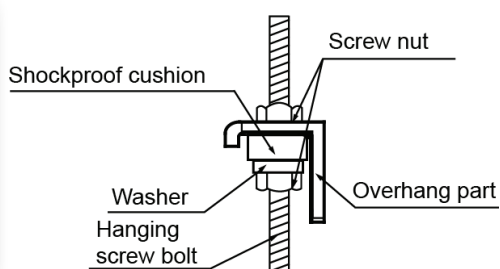
PART 4. INSTALLATION

3.2.3 Hang indoor unit

1. Please refer to the upper data to locate the four positioning screw bolt hole on the ceiling. Be sure to mark the areas where ceiling hook holes will be drilled.
2. Install and fit pipes and wires after you have finished installing the main body. When choosing where to start, determine the direction of the pipes to be drawn out. Especially in cases where there is a ceiling involved, align the refrigerant pipes, drain pipes, and indoor and outdoor lines with their connection points before mounting the unit.
3. Install hanging screw bolts.
 - Cut off the roof beam.
 - Strengthen the place that has been cut off, and consolidate the roof beam.
4. After you select an installation location, align the refrigerant pipes, drain pipes, as well as indoor and outdoor wires with their connection points before mounting the unit.
5. Drill 4 holes 10cm (4") deep at the ceiling hook positions in the internal ceiling. Be sure to hold the drill at a 90° angle to the ceiling.
6. Secure the bolt using the washers and nuts provided.
7. Install the four suspension bolts.
8. Mount the indoor unit with at least two people to lift and secure it. Insert suspension bolts into the unit's hanging holes. Fasten them using the washers and nuts provided.



9. Mount the indoor unit onto the hanging screw bolts with a block. Position the indoor unit flat using a level indicator to prevent leaks

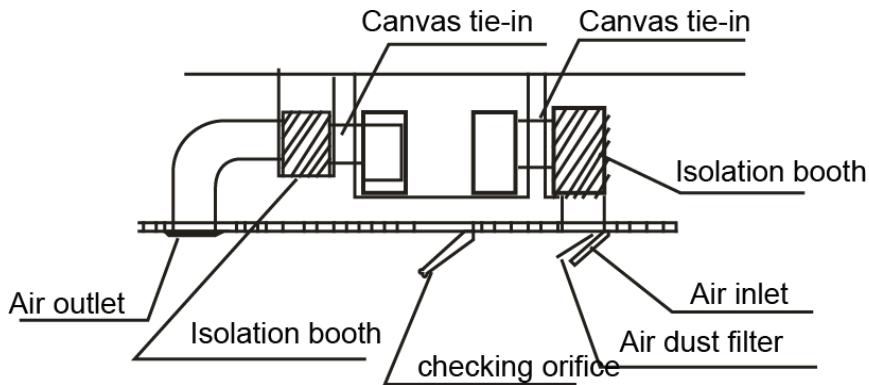


NOTE: Confirm the minimum drain tilt is 1/100 or more.

PART 4. INSTALLATION

3.2.4 Duct and accessories installation

1. Install the filter (optional) according to the size of the air inlet.
2. Install the canvas tie-in between the body and the duct.
3. Air inlet and air outlet duct should be apart far enough to avoid air passage short-circuit.
4. Connect the duct according to the following diagram.



5. Please refer to the following static pressure to install

Model(KBtu/h)	Static Pressure(Pa)
18	0-100
24~55	0-160

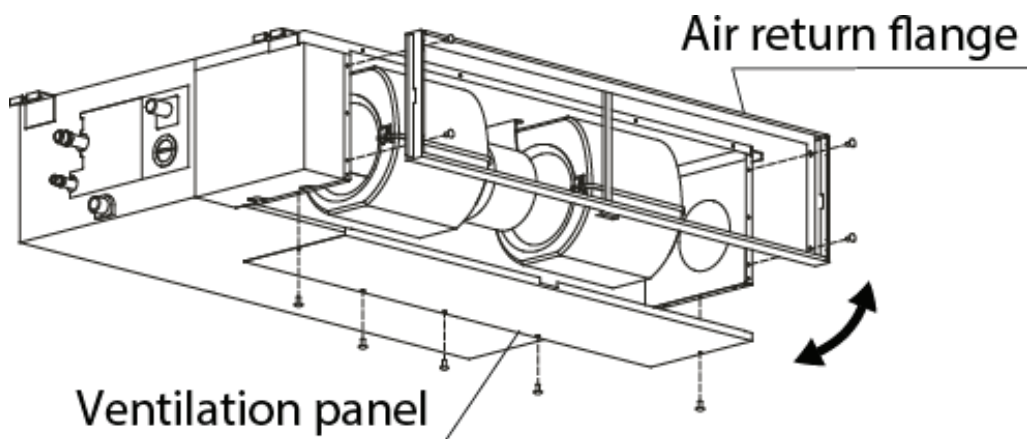
Change the fan motor static pressure corresponding to external duct static pressure.

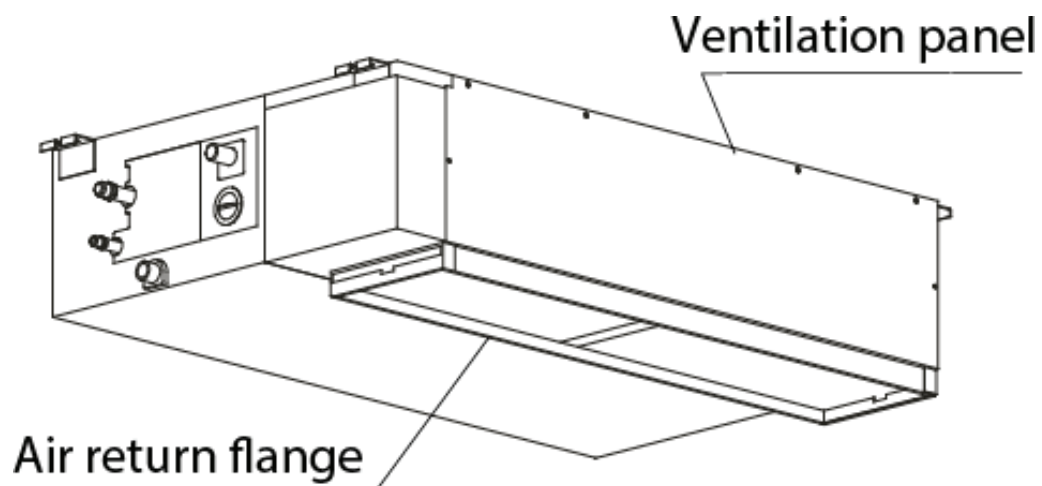
NOTE:

1. Do not put the connecting duct weight on the indoor unit.
2. When connecting duct, use inflammable canvas tie-in to prevent vibrating.
3. Insulation foam must be wrapped outside the duct to avoid condensate. An internal duct underlayer can be added to reduce noise, if the end-user requires.

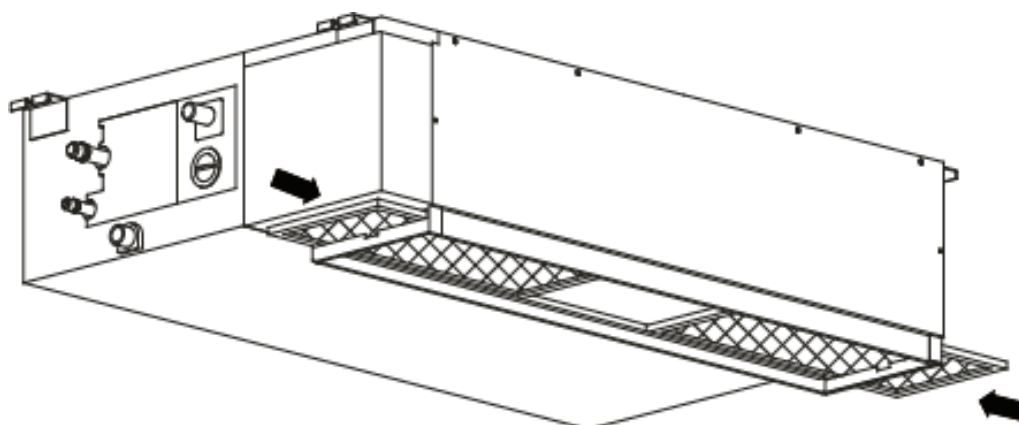
3.2.5 Adjust the air inlet direction (From rear side to under-side.)

1. Take off ventilation panel and flange, cut off the staples at side rail



PART 4. INSTALLATION

2. Change the mounting positions of ventilation panel and air return flange.

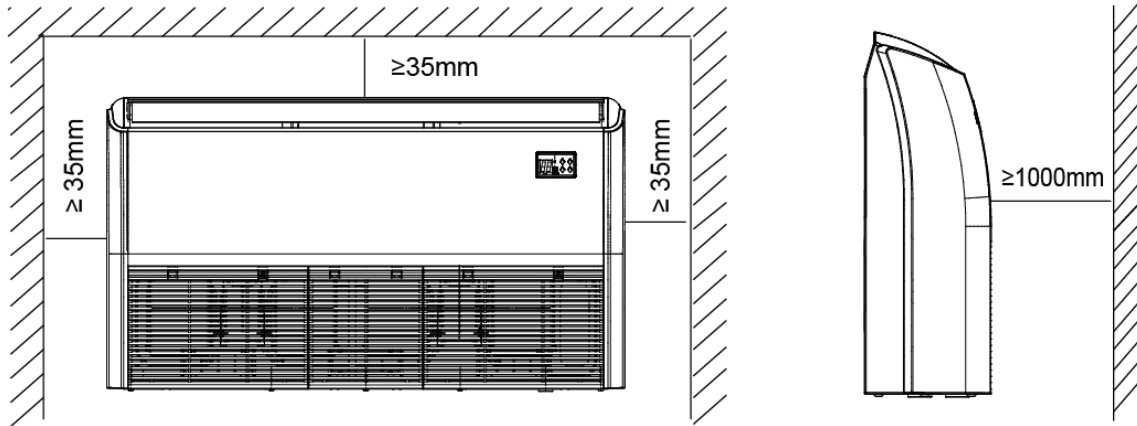


NOTE: All the figures in this manual are for explanation purpose only. They may be slightly different from the air conditioner you purchased.

PART 4. INSTALLATION

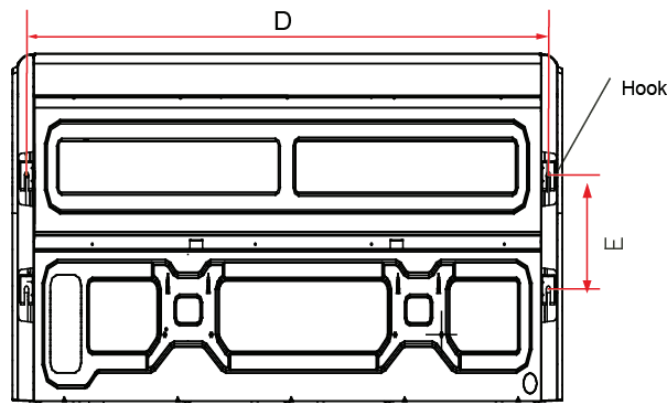
3.3 JATO - CEILING & FLOOR INDOOR UNIT INSTALLATION

3.3.1 Service space for indoor unit



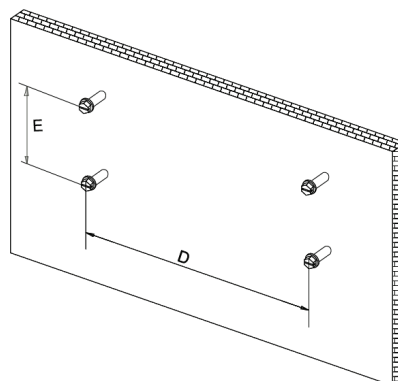
3.3.2 Bolt pitch

1. Ceiling installation



Unit: mm		
Model (kBtu/h)	D	E
18/24	983	220
30K	1200	220
36~60	1565	220

2. Wall-mounted installation



PART 4. INSTALLATION

3.3.3 Install the pendant bolt

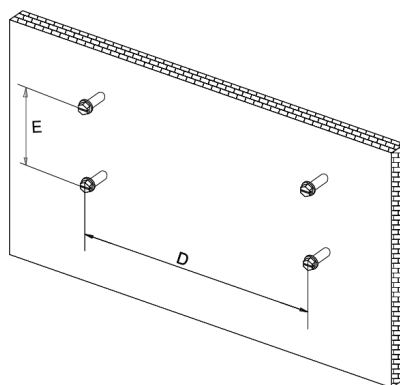
1. Ceiling installation

Select the position of installation hooks according to the hook holes positions showed in upper picture. Drill four holes of $\varnothing 12\text{mm}$, 45~50mm deep at the selected positions on the ceiling. Then embed the expansible hooks (fittings).



2. Wall-mounted installation

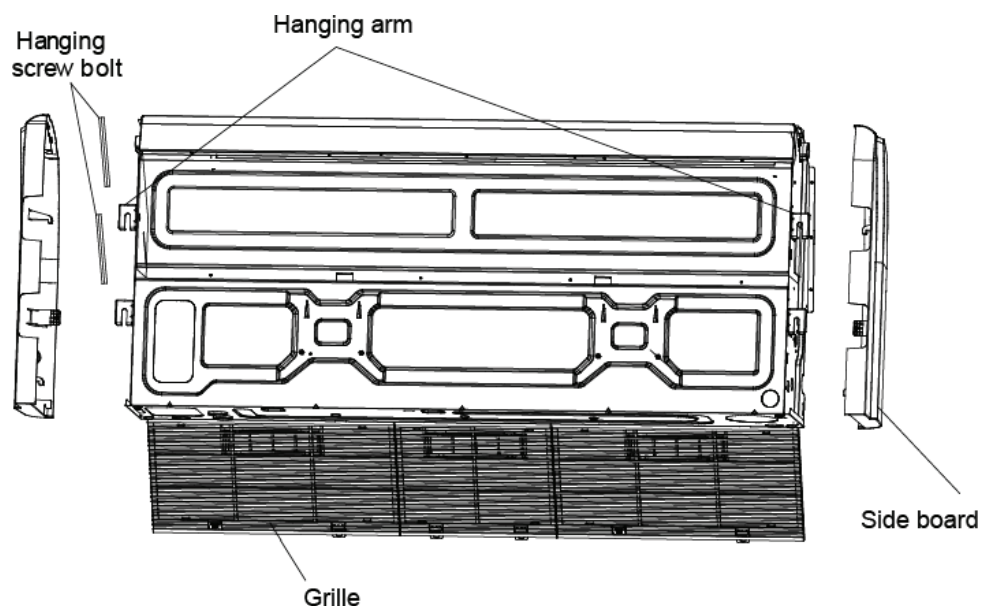
Install the tapping screws onto the wall (Refer to picture below).



3.3.4 Install the main body

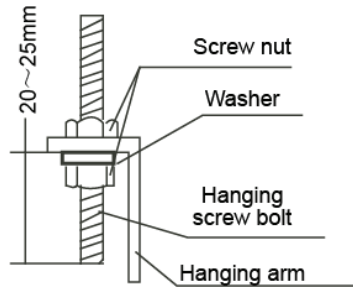
1. Ceiling installation (The only installation method for the unit with drain pump)

Remove the side board and the grille.

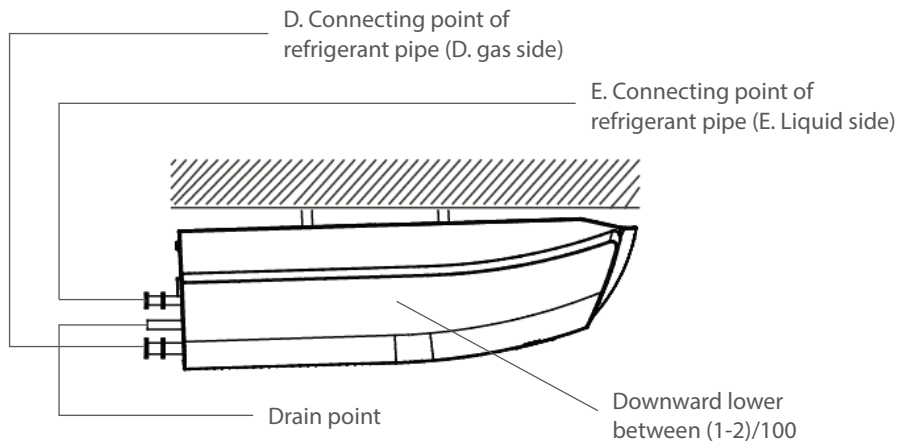
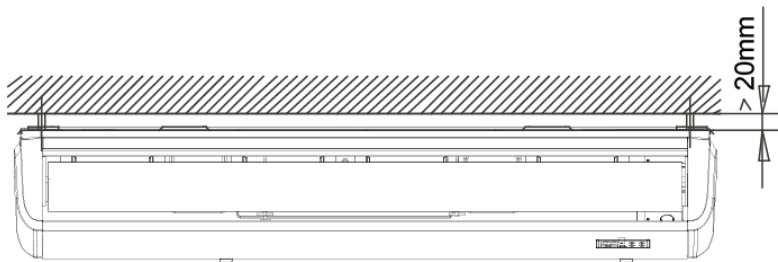


PART 4. INSTALLATION

Locate the hanging arm on the hanging screw bolt. Prepare the mounting bolts on the unit.

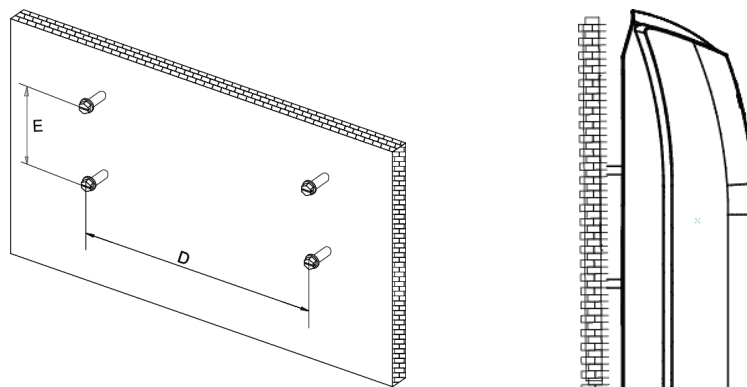


Put the side panels and grilles back.



2. Wall-mounted installation

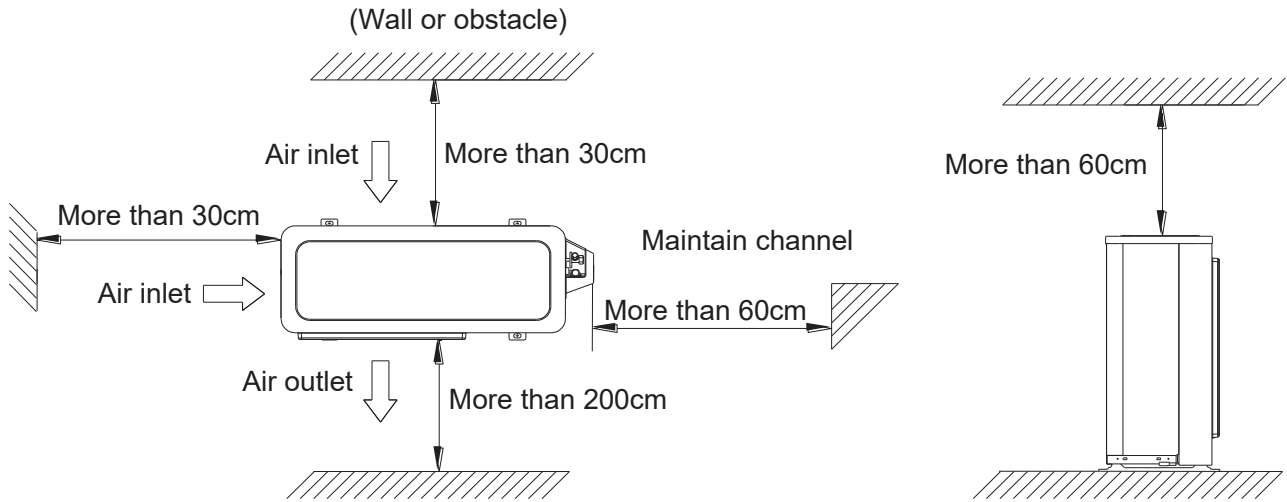
Hang the indoor unit by insert the tapping screws into the hanging arms on the main unit. (The bottom of body can touch with floor or suspended, but the body must install vertically.)



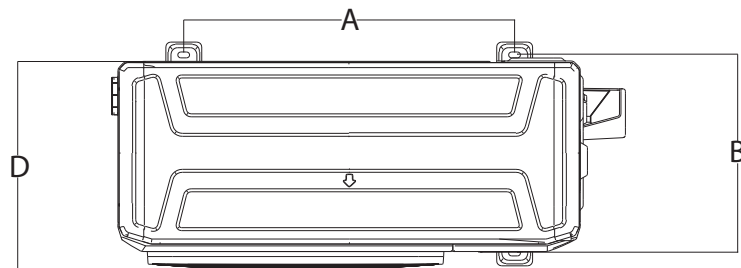
PART 4. INSTALLATION

4. OUTDOOR UNIT INSTALLATION (SIDE DISCHARGE UNIT)

4.1 Service space for outdoor unit



4.2 Bolt pitch

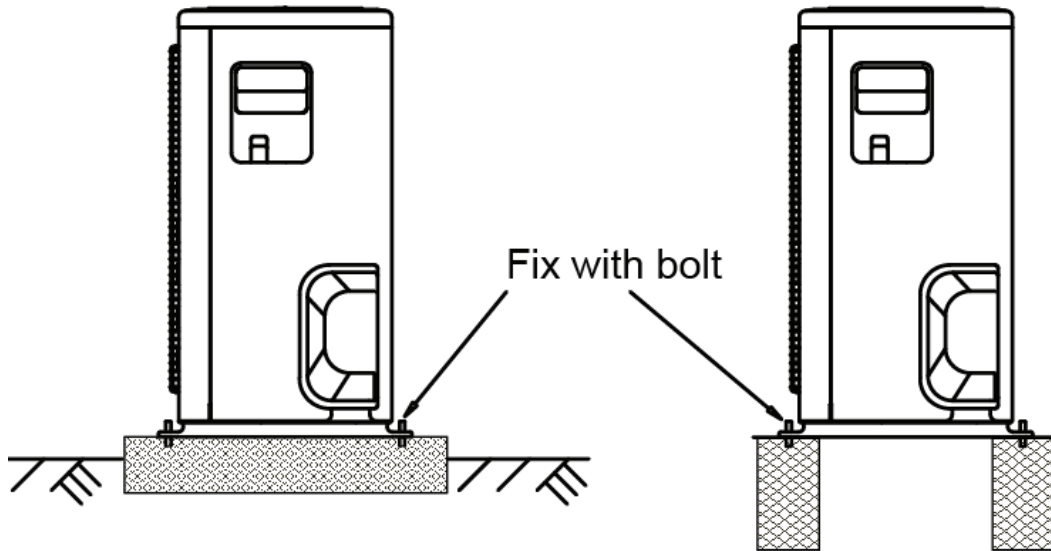


	Unit: mm		
Model (kBtu/h)	D	E	E
18	514	340	333
24	540	350	363
36	673	403	410
48/55	634	404	415

4.3 Install the Unit

- Since the gravity center of the unit is not at its physical center, so please be careful when lifting it with a sling. Never hold the inlet of the outdoor unit to prevent it from deforming.
- Do not touch the fan with hands or other objects.
- Do not lean it more than 45°, and do not lay it sidelong.
- Make concrete foundation according to the specifications of the outdoor units.
- Fasten the feet of this unit with bolts firmly to prevent it from collapsing in case of earthquake or strong wind.

PART 4. INSTALLATION



5. REFRIGERANT PIPE INSTALLATION

5.1 MAXIMUM PIPE LENGTH AND HEIGHT DROP

Considering the allowable pipe length and height drop to decide the installation position. Make sure the distance and height drop between indoor and outdoor unit not exceeded the date in the following table.

Model (kBtu/h)	Max. Length	Max. Elevation
12	25 m	10 m
16~18	30 m	20 m
24~30	50 m	25 m
36~60	65 m	30 m

5.2 THE PROCEDURE OF CONNECTING PIPES

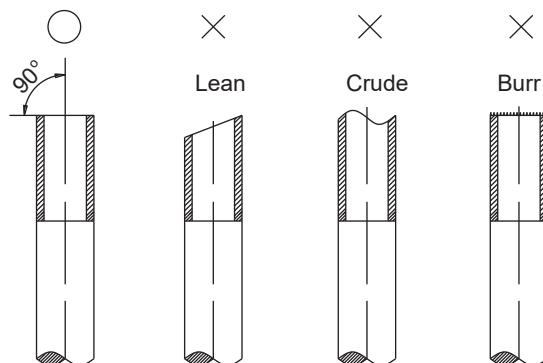
5.2.1 Choose the pipe size according to the specification table.

5.2.2 Confirm the cross way of the pipes.

5.2.3 Measure the necessary pipe length.

5.2.4 Cut the selected pipe with pipe cutter

- Make the section flat and smooth.



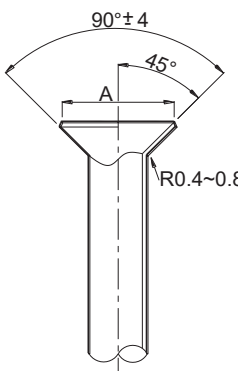
PART 4. INSTALLATION

5.2.5 Insulate the copper pipe

- Before test operation, the joint parts should not be heat insulated.

5.2.6 Flare the pipe

- Insert a flare nut into the pipe before flaring the pipe
- According to the following table to flare the pipe

Pipe diameter	Flare dimension A (mm)		Flare Shape
	Min	Max	
1/4" (6.35)	8.3	8.7	
3/8" (9.52)	12.0	12.4	
1/2" (12.7)	15.4	15.8	
5/8" (15.9)	18.6	19.1	
3/4" (19)	22.9	23.3	

- After flared the pipe, the opening part must be seal by end cover or adhesive tape to avoid duct or exogenous impurity come into the pipe.

5.2.7 Drill holes if the pipes need to pass the wall.

5.2.8 According to the field condition to bend the pipes so that it can pass the wall smoothly.

5.2.9 Bind and wrap the wire together with the insulated pipe if necessary.

5.2.10 Set the wall conduit

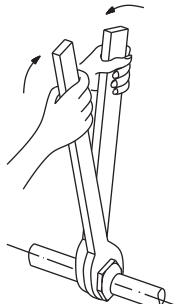
5.2.11 Set the supporter for the pipe.

5.2.12 Locate the pipe and fix it by supporter

- For horizontal refrigerant pipe, the distance between supporters should not be exceed 1m.
- For vertical refrigerant pipe, the distance between supporters should not be exceed 1.5m.

5.2.13 Connect the pipe to indoor unit and outdoor unit by using two spanners.

- Be sure to use two spanners and proper torque to fasten the nut, too large torque will damage the bellmouthing, and too small torque may cause leakage. Refer the following table for different pipe connection.

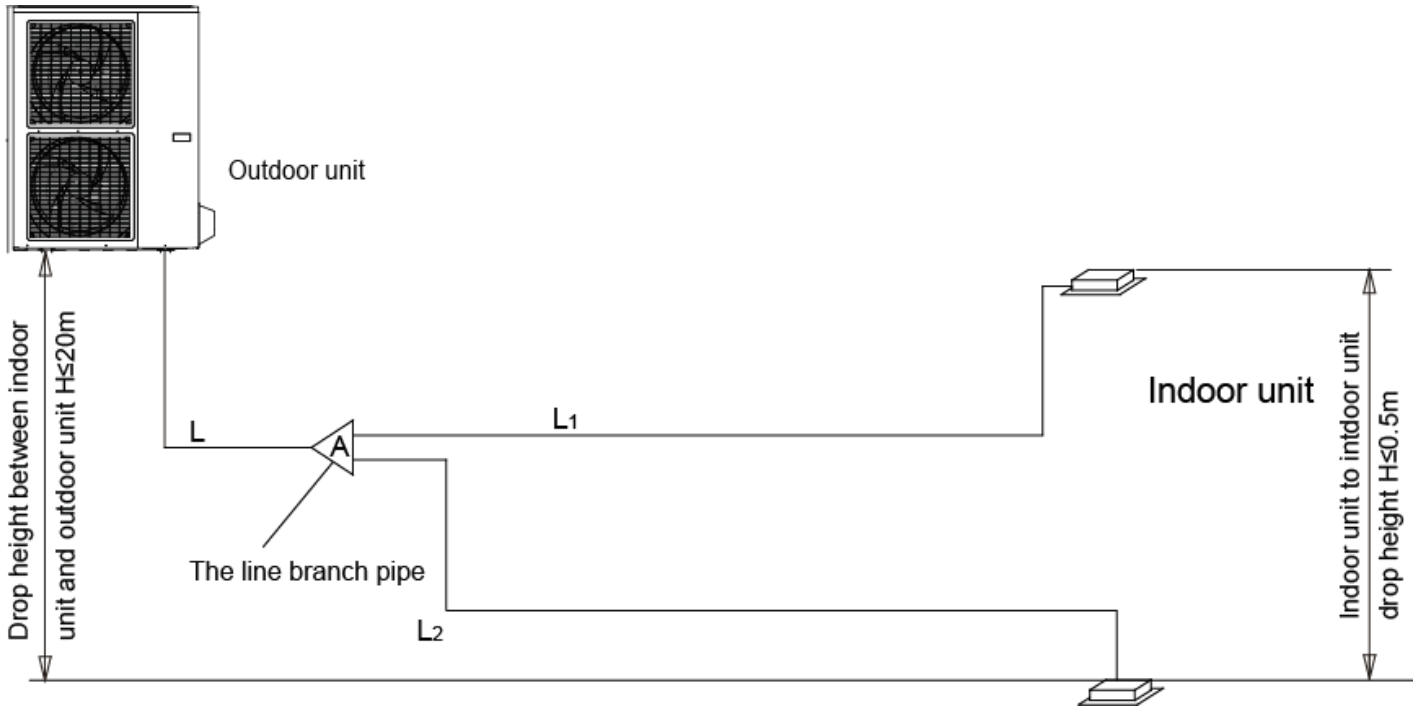
Pipe diameter	Torque		Sketch map
	(kgf.cm)	(N.cm)	
1/4" (6.35)	144~176	1420~1720	
3/8" (9.52)	333~407	3270~3990	
1/2" (12.7)	504~616	4950~6030	
5/8" (15.9)	630~770	6180~7540	
3/4" (19)	990~1210	9270~11860	

PART 4. INSTALLATION

5.3 FOR UNITS WITH TWINS FUNCTION

5.3.1 Length and drop height permitted of the refrigerant piping

NOTE: Reduced length of the branching tube is the 0.5m of the equivalent length of the pipe.



NOTE: All used branch pipe must be produced by Rotenso, otherwise it causes malfunction. The indoor units should be installed equivalently at the both side of the U type branch pipe.

		Permitted Value		Piping
Pipe Length	Total pipe length (Actual)	18K+18K	30m	L+L1+L2
		24K+24K	50m	
		30K+30K	50m	
	Max. branch pipe length	-	15m	L1, L2
	Max. branch pipe length difference	-	10m	L1-L2
Drop Height	Max. height difference between indoor unit and outdoor unit	-	20m	H1
	Max. height difference between indoor units	-	0.5m	H2

5.3.2 Size of joint pipes for indoor unit (R32)

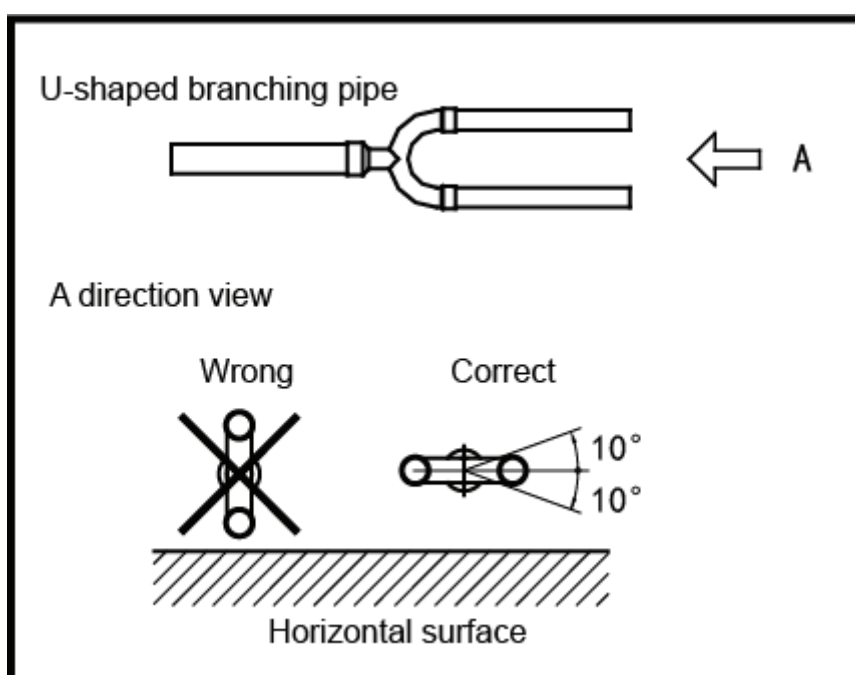
Capacity of indoor unit (A)	Size of main pipe (mm)		
	Gas side	Liquid side	Available branching pipe
18K	Ø12.7	Ø6.35	CE-FQZHN-01C
24K	Ø15.9	Ø9.5	CE-FQZHN-01C
30K	Ø15.9	Ø9.5	CE-FQZHN-01C

PART 4. INSTALLATION

5.3.2 Size of joint pipes for outdoor unit (R32)

Capacity of outdoor unit (A)	Size of main pipe (mm)		
	Gas side	Liquid side	1st branching pipe
34K	Ø15.9	Ø9.5	CE-FQZHN-01C
48K	Ø15.9	Ø9.5	CE-FQZHN-01C
60K	Ø15.9	Ø9.5	CE-FQZHN-01C

5.3.4 The branching pipe must be installed horizontally, error angle of it should not large than 10°. Otherwise, malfunction will be caused.



6. DRAINAGE PIPE INSTALLATION

Install the drainage pipe as shown below and take measures against condensation. Improperly installation could lead to leakage and eventually wet furniture and belongings.

6.1 INSTALLATION PRINCIPLE

- Ensure at least 1/100 slope of the drainage pipe
- Adopt suitable pipe diameter
- Adopt nearby condensate water discharge

6.2 KEY POINTS OF DRAINAGE WATER PIPE INSTALLATION

6.2.1 Considering the pipeline route and elevation

- Before installing condensate water pipeline, determine its route and elevation to avoid intersection with other pipelines and ensure slope is straight.

6.2.2 Drainage pipe selection

- The drainage pipe diameter shall not small than the drain hose of indoor unit
- According to the water flowrate and drainage pipe slope to choose the suitable pipe, the water flowrate is decided by the capacity of indoor unit.

PART 4. INSTALLATION

Relationship between water flowrate and capacity of indoor unit

Capacity (kBtu)	Water flowrate (l/h)
12	2.4
18	4
24	6
30	7
36	8
42	10
48	12
60	14

According to the above table to calculate the total water flowrate for the confluence pipe selection.

For horizontal drainage pipe (The following table is for reference)

PVC pipe	Reference value of inner diameter of pipe (mm)	Allowable maximum water flowrate (l/h)		Remark
		Slope 1/50	Slope 1/100	
PVC25	20	39	27	For branch pipe
PVC32	25	70	50	
PVC40	31	125	88	Could be used for confluence pipe
PVC50	40	247	175	
PVC63	51	473	334	

ATTENTION: Adopt PVC40 or bigger pipe to be the main pipe.

For Vertical drainage pipe (The following table is for reference)

PVC pipe	Reference value of inner diameter of pipe (mm)	Allowable maximum water flowrate (l/h)	Remark
PVC25	20	220	For branch pipe
PVC32	25	410	
PVC40	31	730	Could be used for confluence pipe
PVC50	40	1440	
PVC63	51	2760	
PVC75	67	5710	
PVC90	77	8280	

ATTENTION: Adopt PVC40 or bigger pipe to be the main pipe.

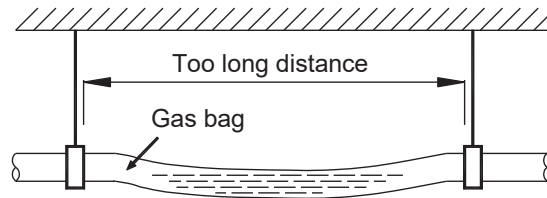
6.2.3 Individual design of drainage pipe system

- The drainage pipe of air conditioner shall be installed separately with other sewage pipe, rainwater pipe and drainage pipe in building.
- The drainage pipe of the indoor unit with water pump should be apart from the one without water pump.

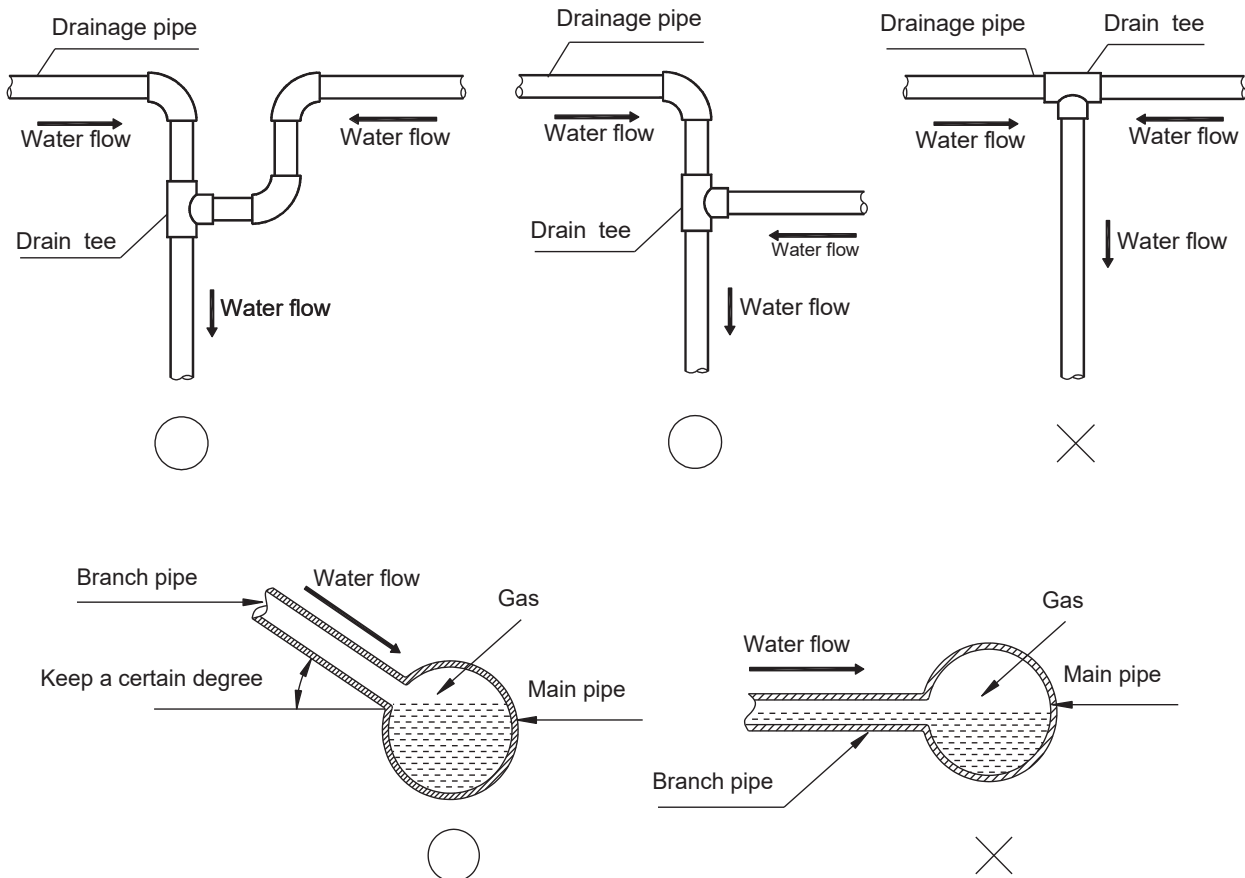
PART 4. INSTALLATION

6.2.4 Supporter gap of drainage pipe

- In general, the supporter gap of the drainage pipe horizontal pipe and vertical pipe is respectively 1m~1.5m and 1.5m~2.0m.
- Each vertical pipe shall be equipped with not less than two hangers.
- Overlarge hanger gap for horizontal pipe shall create bending, thus leading to air block.



6.2.5 The horizontal pipe layout should avoid converse flow or bad flow

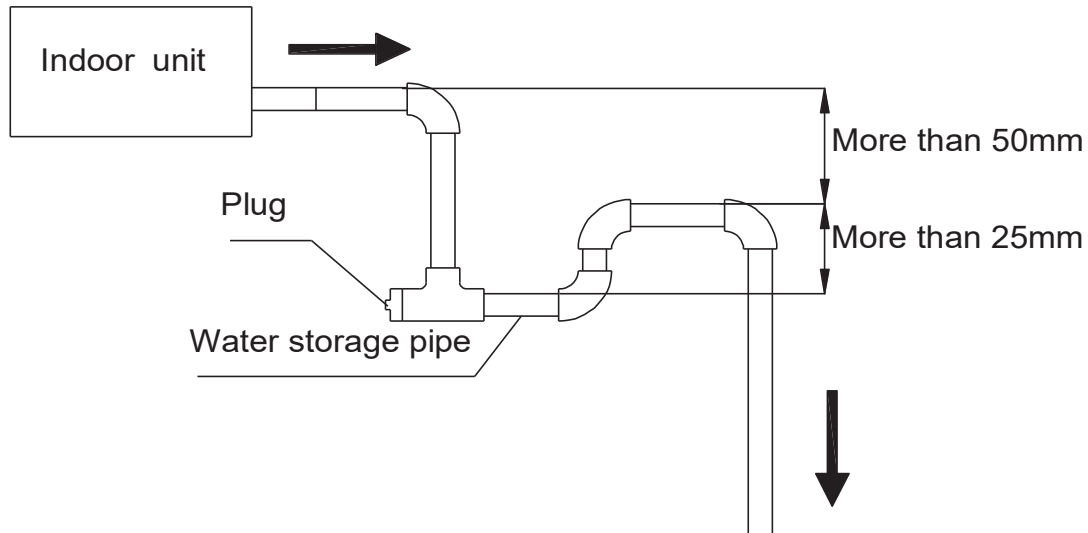


- The correct installation will not cause converse water flow and the slope of the branch pipes can be adjusted freely
- The false installation will cause converse water flow and the slope of the branch pipe can not be adjusted.

PART 4. INSTALLATION

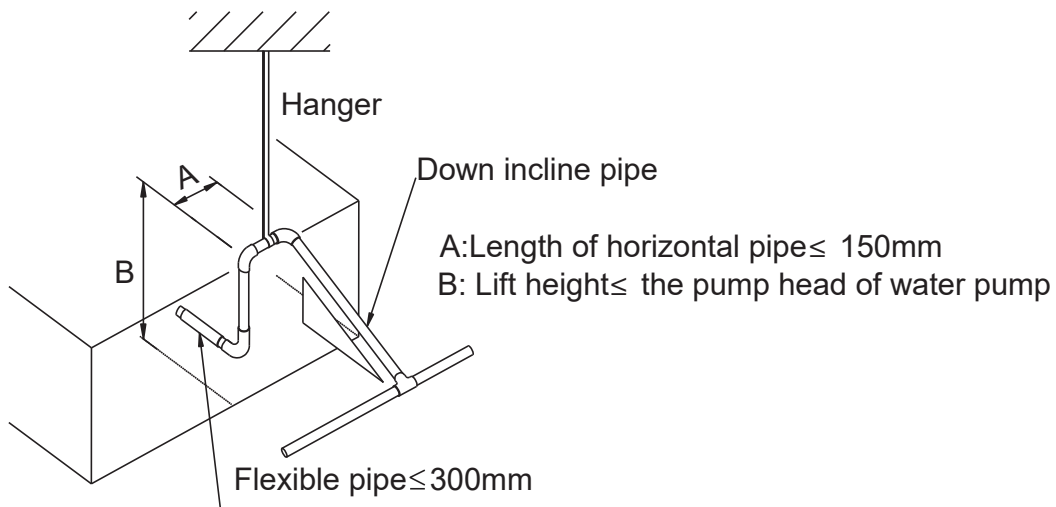
6.2.6 Water storage pipe setting

- If the indoor unit has high extra static pressure and without water pump to elevate the condensate water, such as high extra static pressure duct unit, the water storage pipe should be set to avoid converse flow or blow water phenomena.



6.2.7 Lifting pipe setting of indoor unit with water pump

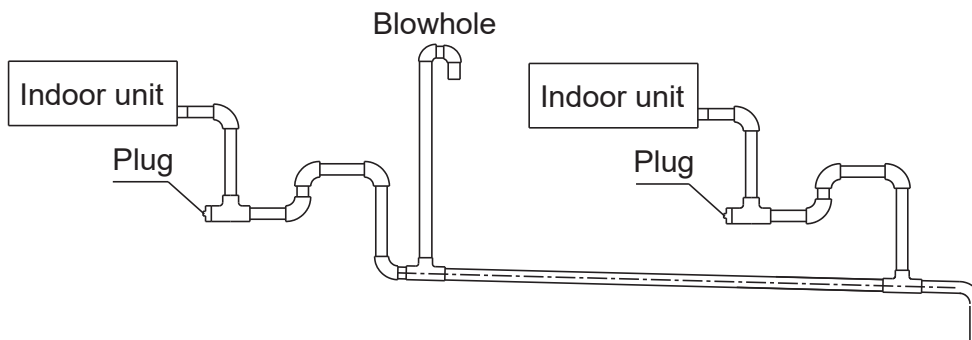
- The length of lifting pipe should not exceed the pump head of indoor unit water pump.
Pump head of big four way cassette: 750mm
Pump head of compact four way cassette: 500mm
- The drainage pipe should be set down inclined after the lifting pipe immediately to avoid wrong operation of water level switch.
- Refer the following picture for installation reference.



PART 4. INSTALLATION

6.2.8 Blowhole setting

- For the concentrated drainage pipe system, there should design a blowhole at the highest point of main pipe to ensure the condensate water discharge smoothly.
- The air outlet shall face down to prevent dirt entering pipe.
- Each indoor unit of the system should be installed it.
- The installation should be considering the convenience for future cleaning.



6.2.9 The end of drainage pipe shall not contact with ground directly.

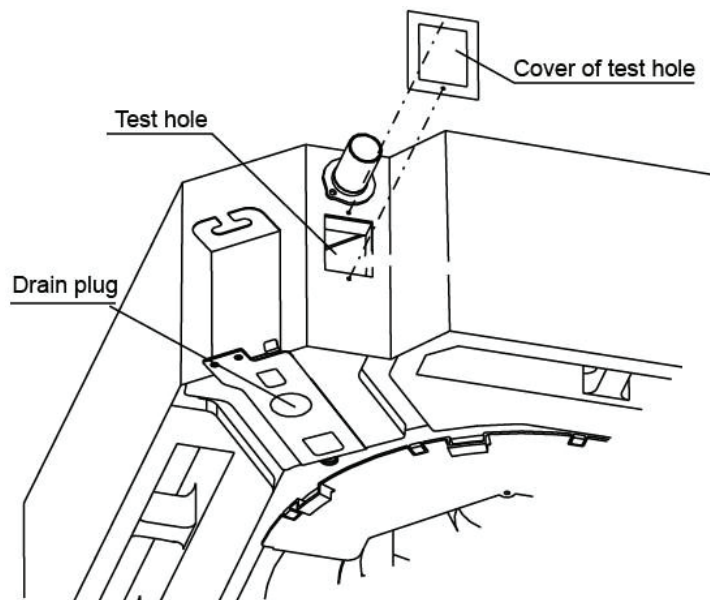
6.3 DRAINAGE TEST

6.3.1 Water leakage test

After finishing the construction of drainage pipe system, fill the pipe with water and keep it for 24 hours to check whether there is leakage at joint section.

6.3.2 Water discharge test

1. Natural drainage mode(the indoor unit with outdoor drainage pump)
Infuse above 600ml water through water test hole slowly into the water collector, observe whether the water can discharge through the transparent hard pipe at drainage outlet.
2. Pump drainage mode
 - 2.1 Disconnect the plug of water level switch, remove the cover of water test hole and slowly infuse about 2000ml water through the water test hole, be sure that the water will not touch the motor of drainage pump.



PART 4. INSTALLATION

- 2.2 Power on and let the air conditioner operate for cooling. Check operation status of drainage pump, and then connect the plug of water level switch, check the operation sound of water pump and observe whether the water can discharge through the transparent hard pipe at drainage outlet. (In light of the length of drainage pipe, water shall be discharged about 1 minute delayed)
- 2.3 Stop the operation of air conditioner, power off the power supply and put the cover of water test hole back to the original place.
- After stopped the air conditioner 3 minutes, check whether there is anything abnormal. If drainage pipes have not been distributed properly, over back-flow water shall cause the flashing of alarm indicator at remote-controlled receiving board and even water shall run over the water collector.
 - Continuously infusing water until water level alarmed, check whether the drainage pump could discharge water at once. If water level does not decline under warning water level 3 minutes later, it shall cause shutdown of unit. When this situation happens, the normal startup only can be recovered by turning down power supply and eliminating accumulated water.

Note: Drain plug at the main water-containing plate is used for eliminating accumulated water in water-containing plate when maintaining air conditioner fault. During normal operation, the plug shall be filled in to prevent leakage.

6.4 INSULATION WORK OF DRAINAGE PIPE

Refer the introduction to the insulation engineering parts.

7. VACUUM DRYING AND LEAKAGE CHECKING

7.1 PURPOSE OF VACUUM DRYING

- Eliminating moisture in system to prevent the phenomena of ice-blockage and copper oxidation. Ice-blockage shall cause abnormal operation of system, while copper oxide shall damage compressor.
- Eliminating the non-condensable gas (air) in system to prevent the components oxidizing, pressure fluctuation and bad heat exchange during the operation of system

7.2 SELECTION OF VACUUM PUMP

- The ultimate vacuum degree of vacuum pump shall be -756mmHg or above.
- Precision of vacuum pump shall reach 0.02mmHg or above.

7.1 OPERATION PROCEDURE FOR VACUUM DRYING

Due to different construction environment, two kinds of vacuum drying ways could be chosen, namely ordinary vacuum drying and special vacuum drying.

7.3.1 Ordinary vacuum drying

- When conduct first vacuum drying, connect pressure gauge to the infusing mouth of gas pipe and liquid pipe, and keep vacuum pump running for 1 hour (vacuum degree of vacuum pump shall be reached -755mmHg).
- If the vacuum degree of vacuum pump could not reach -755mmHg after 1 hour of drying, it indicates that there is moisture or leakage in pipeline system and need to go on with drying for half an hour.
- If the vacuum degree of vacuum pump still could not reach -755mmHg after 1.5 hours of drying, check whether there is leakage source.
- Leakage test: After the vacuum degree reaches -755mmHg, stop vacuum drying and keep the pressure for 1 hour. If the indicator of vacuum gauge does not go up, it is qualified. If going up, it indicates that there is moisture or leak source.

PART 4. INSTALLATION

7.3.2 Special vacuum drying

The special vacuum drying method shall be adopted when:

1. Finding moisture during flushing refrigerant pipe.
2. Conducting construction on rainy day, because rain water might penetrated into pipeline.
3. Construction period is long, and rain water might penetrated into pipeline.
4. Rain water might penetrate into pipeline during construction.

Procedures of special vacuum drying are as follows:

1. Vacuum drying for 1 hour.
2. Vacuum damage, filling nitrogen to reach 0.5Kgf/cm².
Because nitrogen is dry gas, vacuum damage could achieve the effect of vacuum drying, but this method could not achieve drying thoroughly when there is too much moisture. Therefore, special attention shall be drawn to prevent the entering of water and the formation of condensate water.
3. Vacuum drying again for half an hour.
If the pressure reached -755mmHg, start to pressure leakage test. If it cannot reached the value, repeat vacuum damage and vacuum drying again for 1 hour.
4. Leakage test: After the vacuum degree reaches -755mmHg, stop vacuum drying and keep the pressure for 1 hour. If the indicator of vacuum gauge does not go up, it is qualified. If going up, it indicates that there is moisture or leak source.

8. ADDITIONAL REFRIGERANT CHARGE

- After the vacuum drying process is carried out, the additional refrigerant charge process need to be performed.
- The outdoor unit is factory charged with refrigerant. The additional refrigerant charge volume is decided by the diameter and length of the liquid pipe between indoor and outdoor unit. Refer the following formula to calculate the charge volume.

Diameter of liquid pipe (mm)	Φ6.35	Φ9.52
Formula	$V=15g/m \times (L-5)$	$V=30g/m \times (L-5)$

V: Additional refrigerant charge volume (g). L : The length of the liquid pipe (m).

NOTE:

- Refrigerant may only be charged after performed the vacuum drying process.
- Always use gloves and glasses to protect your hands and eyes during the charge work.
- Use electronic scale or fluid infusion apparatus to weight refrigerant to be recharged. Be sure to avoid extra refrigerant charged, it may cause liquid hammer of the compressor or protections.
- Use supplementing flexible pipe to connect refrigerant cylinder, pressure gauge and outdoor unit. And The refrigerant should be charged in liquid state. Before recharging, The air in the flexible pipe and manifold gauge should be exhausted.
- After finished refrigerant recharge process, check whether there is refrigerant leakage at the connection joint part.(Using gas leakage detector or soap water to detect).

PART 4. INSTALLATION

9. ENGINEERING OF INSULATION

9.1 INSULATION OF REFRIGERANT PIPE

9.1.1 Operational procedure of refrigerant pipe insulation

Cut the suitable pipe → insulation (except joint section) → flare the pipe → piping layout and connection → vacuum drying → insulate the joint parts

9.1.2 Purpose of refrigerant pipe insulation

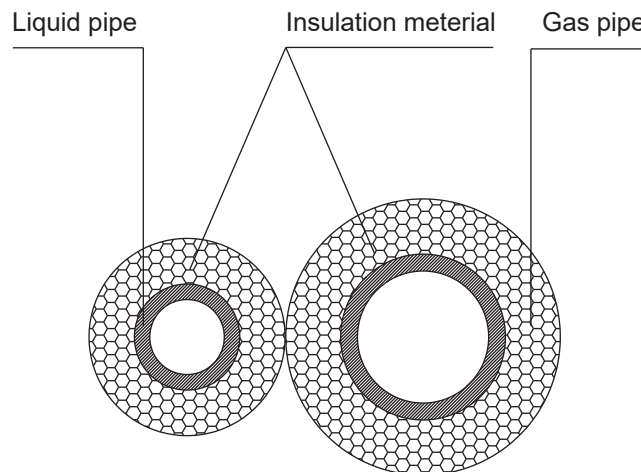
- During operation, temperature of gas pipe and liquid pipe shall be over-heating or over-cooling extremely. Therefore, it is necessary to carry out insulation; otherwise it shall debase the performance of unit and burn compressor.
- Gas pipe temperature is very low during cooling. If insulation is not enough, it shall form dew and cause leakage.
- Temperature of gas pipe is very high (generally 50-100°C) during heating. Insulation work must be carried out to prevent hurt by carelessness touching.

9.1.3 Insulation material selection for refrigerant pipe

- The burning performance should over 120°C
- According to the local law to choose insulation materials
- The thickness of insulation layer shall be above 10mm. If in hot or wet environment place, the layer of insulation should be thicker accordingly.

9.1.4 Installation highlights of insulation construction

- Gas pipe and liquid pipe shall be insulated separately, if the gas pipe and liquid pipe were insulated together; it will decrease the performance of air conditioner.



- The insulation material at the joint pipe shall be 5~10cm longer than the gap of the insulation material.
- The insulation material at the joint pipe shall be inserted into the gap of the insulation material.
- The insulation material at the joint pipe shall be banded to the gap pipe and liquid pipe tightly.
- The linking part should be use glue to paste together
- Be sure not bind the insulation material over-tight, it may extrude out the air in the material to cause bad insulation and cause easy aging of the material.

9.2 INSULATION OF DRAINAGE PIPE

9.2.1 Operational procedure of refrigerant pipe insulation

Select the suitable pipe → insulation (except joint section) → piping layout and connection → drainage test → insulate the joint parts

PART 4. INSTALLATION

9.2.3 Insulation material selection for drainage pipe

- The insulation material should be flame retardant material, the flame retardancy of the material should be selected according to the local law.
- Thickness of insulation layer is usually above 10mm.
- Use specific glue to paste the seam of insulation material, and then bind with adhesive tape. The width of tape shall not be less than 5cm. Make sure it is firm and avoid dew.

9.2.4 Installation and highlights of insulation construction

- The single pipe should be insulated before connecting to another pipe, the joint part should be insulated after the drainage test.
- There should be no insulation gap between the insulation material.

10. ENGINEERING OF ELECTRICAL WIRING

10.1 HIGHLIGHTS OF ELECTRICAL WIRING INSTALLATION

- All field wiring construction should be finished by qualified electrician.
- Air conditioning equipment should be grounded according to the local electrical regulations.
- Current leakage protection switch should be installed.
- Do not connect the power wire to the terminal of signal wire.
- When power wire is parallel with signal wire, put wires to their own wire tube and remain at least 300mm gap.
- According to table in indoor part named "the specification of the power" to choose the wiring, make sure the selected wiring not small than the date showing in the table.
- Select different colors for different wire according to relevant regulations.
- Do not use metal wire tube at the place with acid or alkali corrosion, adopt plastic wire tube to replace it.
- There must be not wire connect joint in the wire tube If joint is a must, set a connection box at the place.
- The wiring with different voltage should not be in one wire tube.
- Ensure that the color of the wires of outdoor and the terminal No. are same as those of indoor unit respectively.

11. TEST OPERATION

11.1 THE TEST OPERATION MUST BE CARRIED OUT AFTER THE ENTIRE INSTALLATION HAS BEEN COMPLETED.

11.2 PLEASE CONFIRM THE FOLLOWING POINTS BEFORE THE TEST OPERATION.

- The indoor unit and outdoor unit are installed properly.
- Tubing and wiring are correctly completed.
- The refrigerant pipe system is leakage-checked.
- The drainage is unimpeded.
- The ground wiring is connected correctly.
- The length of the tubing and the added stow capacity of the refrigerant have been recorded.
- The power voltage fits the rated voltage of the air conditioner.
- There is no obstacle at the outlet and inlet of the outdoor and indoor units.
- The gas-side and liquid-side stop valves are both opened.
- The air conditioner is pre-heated by turning on the power.

11.3 TEST OPERATION

Set the air conditioner under the mode of "COOLING" by remote controller, and check the following points.

Indoor unit

- Whether the switch on the remote controller works well.
- Whether the buttons on the remote controller works well.

PART 4. INSTALLATION

- Whether the air flow louver moves normally.
- Whether the room temperature is adjusted well.
- Whether the indicator lights normally.
- Whether the temporary buttons works well.
- Whether the drainage is normal.
- Whether there is vibration or abnormal noise during operation.

Outdoor unit

- Whether there is vibration or abnormal noise during operation.
- Whether the generated wind, noise, or condensed of by the air conditioner have influenced your neighborhood.
- Whether any of the refrigerant is leaked.

PART 5. ELECTRICAL CONTROL SYSTEM

1. ELECTRICAL CONTROL FUNCTION

1.1 ABBREVIATION

- T1: Indoor room temperature
- T2: Middle indoor heat exchanger coil temperature
- T2B: Indoor heat exchanger exhaust coil temperature
- T3: Outdoor heat exchanger pipe temperature
- T4: Outdoor ambient temperature
- T5: Compressor discharge temperature

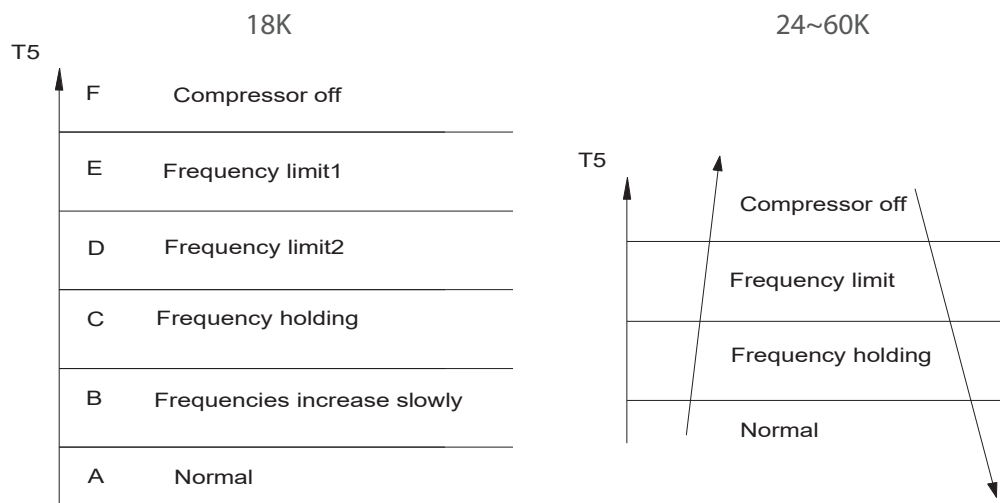
1.2 MAIN PROTECTION

1.2.1 Compressor three-minute delay at restart

Compressor functions are delayed for up to one minute upon the first startup of the unit, and are delayed for up to three minutes upon subsequent unit restarts.

1.2.2 Automatic shutoff based on discharge temperature

When the discharge temperature of compressor rises, the running frequency is limited according to the following rules:



1.2.3 Automatic shut off based on compressor top temperature

The unit ceases operation when the compressor top temperature exceeds a pre-determined threshold. The unit will restart after the temperature guard of the compressor top restarts.

1.2.4 Indoor Fan Delayed Open Function

When the unit starts up, the louver is immediately active. The indoor fan opens 7 seconds later. If the unit runs in heating mode, the indoor fan is also regulated by the anti-cold wind function.

1.2.5 Fan Speed Malfunction

For Aneru (console type):

If the indoor fan speed is lower than 300 RPM for certain time, the unit stops and the LED displays the failure code.

For Nevo (duct type):

If a fault occurs on the air volume regulator or the regulator enters protection mode, it sends the error message CF and an instruction to reduce fan speed to the master. The message and the instruction can be inquired with the remote controller or the wired controller. (Fault and protection information are displayed for one minute). After a fault occurs, the master unit shows the error code E3 and the fault count for one minute. If the fault occurs three times, then the fan is unable to resolve the problem independently. External shutdown by a remote controller, wired

PART 5. ELECTRICAL CONTROL SYSTEM

controller, or central controller must be used to clear the fan fault and fault count. The fan runs normally for 5 minutes while clearing fault count.

0: No malfunction
1: P0 Overcurrent
2: Overpressure
3: Overload
4: Over speed
5: Start up malfunction
6: Lack of phase
7: DC voltage too low
8: Communication fault
9: Parameter fault
10: L3 Current limited
11: L5 Voltage limited
12: Target speed cannot be met during the static pressure calculation process.

For other models:

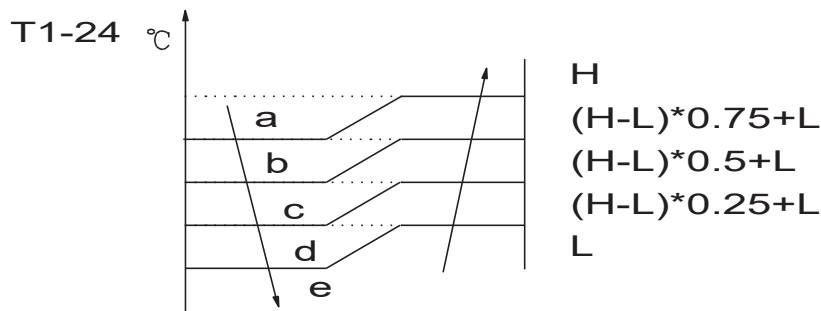
If the indoor fan speed is lower than 300 RPM for 50 seconds or more, it shuts off and restarts in 30 seconds. If this happens 3 times, the unit stops and the LED displays the failure code.

1.3 OPERATION MODES AND FUNCTIONS

1.3.1 Fan Mode

- (1) Outdoor fan and compressor cease operation.
- (2) Temperature setting function is disabled, and no preset temperature is displayed.
- (3) Louver operates the same as in cooling mode.
- (4) Auto fan:

When it fan-only mode, operates the same as auto fan in cooling mode with the temperature set at 24°C.



1.3.2 Cooling Mode

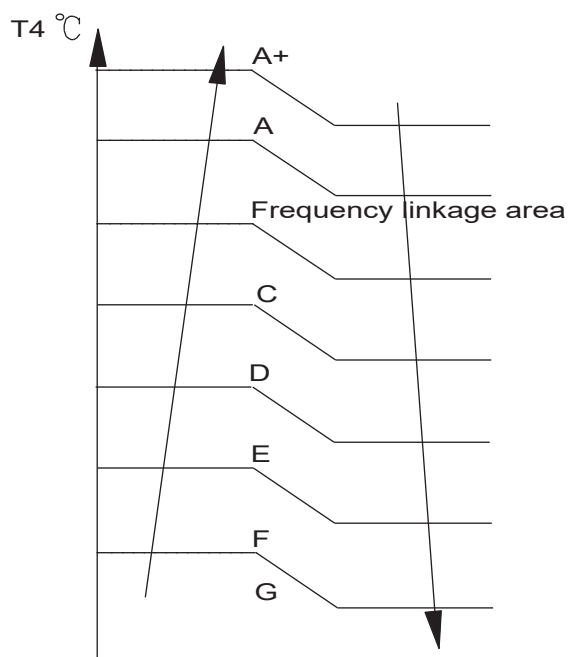
1.3.2.1 Outdoor Fan Running Guidelines

The outdoor unit can run at different fan speeds depending on T4. Fan speeds vary with the model of air conditioner.

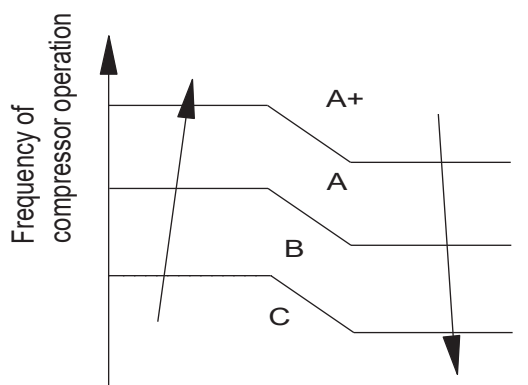
PART 5. ELECTRICAL CONTROL SYSTEM

18K

Fan speed is regulated according to T4 and compressor frequency.

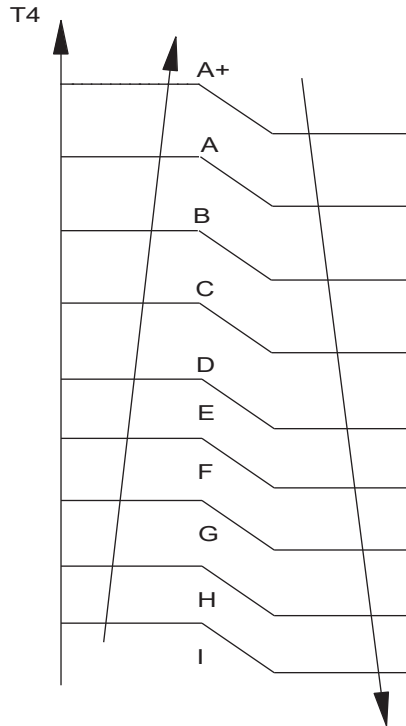


Frequency linkage area:



PART 5. ELECTRICAL CONTROL SYSTEM

24~60K

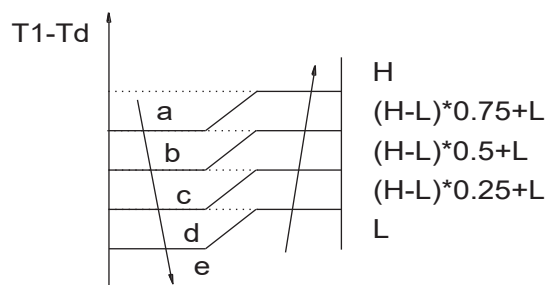


1.3.2.3 Indoor Fan Running Guidelines

In cooling mode, the indoor fan runs continuously and You can select the following speeds: high, medium, low, auto or silent. When the compressor is running, The indoor fan is regulated as illustrated as in the following figure:

Setting fan speed	T1-Td (°C)(°F)	Actual fan speed
H	A	$H+(H+=H+G)$
	B	$H (=H)$
	C	$H- (H-=H-G)$
M	D	$M+(M+=M+Z)$
	E	$M(M=M)$
	F	$M-(M-=M-Z)$
L	G	$L+(L+=L+D)$
	H	$L(L=L)$
	I	$L-(L-=L-D)$

The auto fan in cooling mode acts as follows:

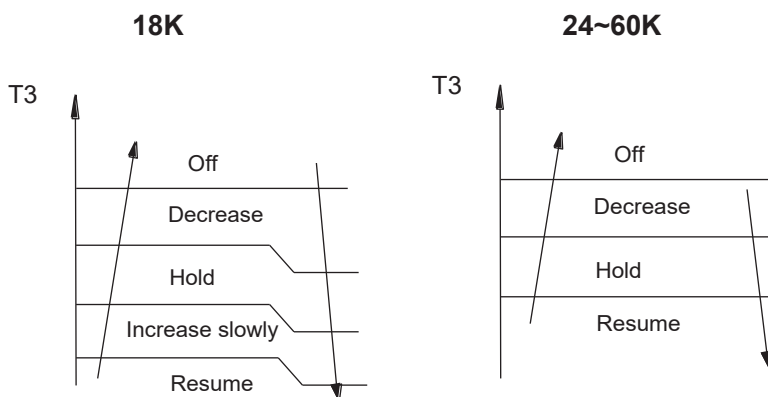


PART 5. ELECTRICAL CONTROL SYSTEM

1.3.2.4 Evaporator Low Temperature T2 Protection.

- $T_2 < 0^\circ\text{C}$, the compressor stops and restarts only when $T_2 \geq 5^\circ\text{C}$.
- $0^\circ\text{C} \leq T_2 < 4^\circ\text{C}$, the compressor frequency is limited and decreases to a lower level
- $4^\circ\text{C} \leq T_2 < 7^\circ\text{C}$, the compressor maintains its current frequency.
- $T_2 > 7^\circ\text{C}$, the compressor frequency is not limited.

1.3.2.5 High Condenser Coil Temperature Protection

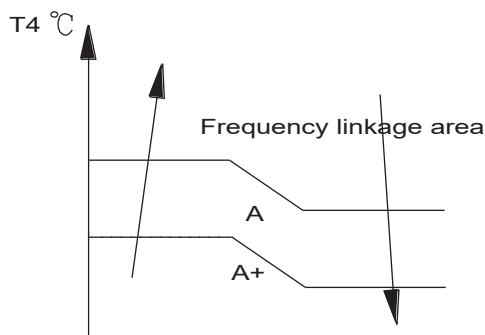


1.3.3 Heating Mode

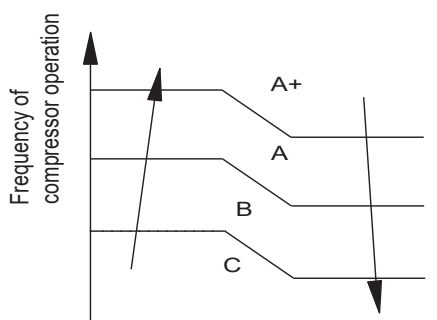
1.3.3.1 Outdoor Fan Running Guidelines

18K

Fan speed is regulated according to T4 and compressor frequency.

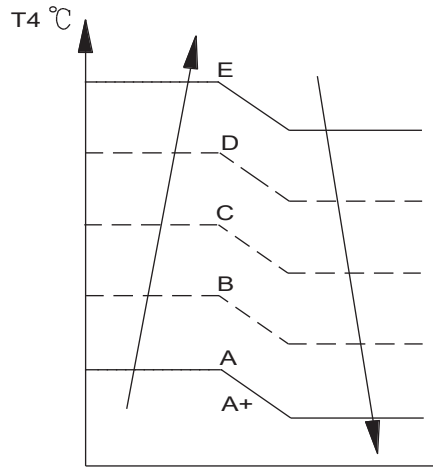


Frequency linkage area:



PART 5. ELECTRICAL CONTROL SYSTEM

24~60K:



1.3.3.2 Indoor Fan Running Guidelines

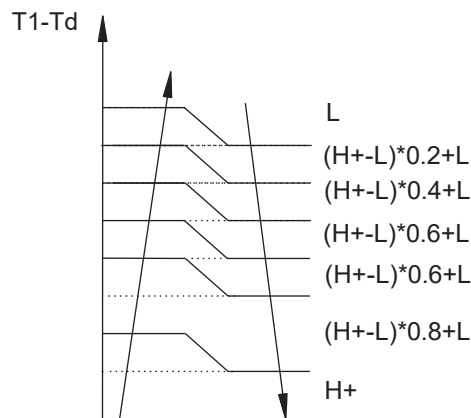
In heating mode, indoor fan speed can be set at high, medium, low, or auto fan, and the anti-cold-wind function is preferential.

When the compressor is running, The indoor fan is regulated as illustrated as in the following figure:

Setting fan speed	T1-Td	Actual fan speed
H		H- (H=H-G)
		H (=H)
		H+(H+=H+G)
M		M-(M=M-Z)
		M(M=M)
		M+(M+=M+Z)
L		L-(L=L-D)
		L(L=L)
		L+(L+=L+D)

When the indoor temp reaches the present temperature, the compressor stops and the indoor fan motor runs at the minimum speed (The anti-cold-wind is valid).

The auto fan in heating mode acts as follows:



PART 5. ELECTRICAL CONTROL SYSTEM

1.3.3.3 Defrosting Control:

Conditions for defrosting:

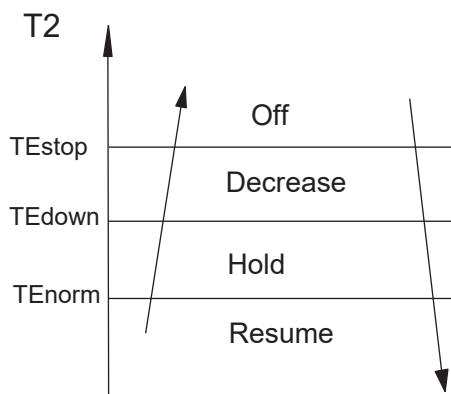
- The unit enters the defrosting mode according to the value of T3 and T4 as well as the compressor running time.

Defrost Stop Conditions:

If any one of the following conditions is satisfied, defrosting ends and the unit returns to heating mode.

- T3 rises above than TCDE1°C.
- T3 remains at TCDE2°C or above for 80 seconds.
- The machine runs for 10 consecutive minutes in defrosting mode.

1.3.3.4 High Evaporator Coil Temperature T2 Protection:



Off: Compressor stops.

Decrease: Decreases the running frequency.

Hold: Maintains the current frequency.

Resume: No limitation is applied to frequency.

1.3.4 Auto-mode

You can choose this mode with the remote control and adjust to temperature to between 17-30. In auto mode, the machine chooses cooling, heating or fan-only mode according to ΔT ($\Delta T = T1 - Ts$).

$\Delta T = T1 - Ts$	Running mode
$\Delta T > 2^\circ\text{C}$	Cooling
$-2 < \Delta T \leq 2^\circ\text{C}$	Fan-only
$\Delta T \leq -2^\circ\text{C}$	Heating

- The indoor fan runs at auto fan in each mode.
- The louver operates the same in each mode.
- If the machine switches mode between heating and cooling, the compressor stops for 15 minutes and then selects a mode again according to T1-Ts.
- If the temperature is modified, the machine selects a running function.

1.3.5 Dehumidifier Mode

The indoor fan speed is fixed at breeze and can't be changed.

All protections are activated and operate the same as they do in cooling mode.

1.3.6 Timer Function

- The timing range is 24 hours.
- Timer On. The machine turns on automatically at the preset time.
- Timer Off. The machine turns off automatically at the preset time.
- Timer On/Off. The machine turns on automatically at the preset On Time, and then turns off automatically at the preset Off Time.
- Timer Off/On. The machine turns on automatically at the preset Off Time and then turns off automatically at the

PART 5. ELECTRICAL CONTROL SYSTEM

preset On Time.

- The timer does not change the unit operation mode. If the unit is off now, it does not start up immediately after the "timer off" function is set. When the setting time is reached, the timer LED switches off and the unit running mode remains unchanged.
- The timer uses relative time, not clock time.

1.3.7 Sleep Mode

- The sleep function is available in cooling, heating or auto mode.
- The operational process in sleep mode is as follows:
When cooling, the temperature rises 1°C (to not higher than 30°C) every hour, 2 hours later the temperature stops rising and the indoor fan is fixed to low speed.
When heating, the temperature decreases 1°C (to not lower than 17°C) every hour, 2 hours the temperature stops decreasing and the indoor fan is fixed at low speed. (Anti-cold wind function takes priority).
- Sleep mode lasts a maximum of 7 hours. After 7 hours, the unit does not switch off, but for console, the unit switches off.
- The timer uses relative time, not clock time.

1.3.8 Auto-Restart Function

The indoor unit has an auto-restart module that allows the unit to restart automatically. The module automatically stores the current settings (not including the Swing setting) and, in the case of a sudden power failure, will restore those settings automatically within 3 minutes after power returns.

1.3.9 Drain Pump Control (For Duct and Cassette)

- Use the water-level switch to control drain pump.
- The system checks the water level every 5 seconds.
 - When the A/C operates in cooling (including auto cooling) or forced cooling mode, the pump begins running immediately and continuously until cooling stops.
 - If the water level increases up to the control point, the LED displays an alarm code and the drain pump opens and continually monitors the water level. If the water level falls and LED alarm code is no longer displayed (drain pump close delay is 1 minute), the unit goes back into its last mode. Otherwise, the entire system (including the pump) stops and the LED displays an alarm again after 3 minutes.

1.3.10 Follow Me(Optional)

If you press "Follow Me" on the remote, the indoor unit will beep. This indicates the follow me function is active.

Once active, the remote control will send a signal every 3 minutes, with no beeps. The unit automatically sets the temperature according to the measurements from the remote control.

The unit will only change modes if the information from the remote control makes it necessary, not from the unit's temperature setting.

1.3.11 Outdoor Unit Point Check Function(Excluding 12K&18K)

A check switch is included on the outdoor PCB.

Push SW1 to check the unit's status while running. The digital display shows the following codes each time the SW1 is pushed.

PART 5. ELECTRICAL CONTROL SYSTEM

N	Display	Remark																
00	Normal display	Displays running frequency, running state, or malfunction code																
01	Indoor unit capacity demand code	Actual data*HP*10 If a capacity demand code is higher than 99, the digital display shows single and double digits. For example, if the digital display shows "5.0", the capacity demand is 15. If the digital display tube shows "60", the capacity demand is 6.0.																
02	Amendatory capacity demand code	-																
03	The frequency after the capacity requirement transfer	-																
04	The frequency after the frequency limit	-																
05	The frequency of sending to 341	-																
06	Indoor unit evaporator outlet temperature (heating T2, cooling T2B)	If the temperature is lower than -9°C, the digital display shows "-9." If the temperature is higher than 70°C, the digital display shows "70." If the indoor unit is not connected, the digital display shows: "— —"																
07	Condenser pipe temperature (T3)																	
08	Outdoor ambient temperature (T4)																	
09	Compressor discharge temperature (T5)	The display value is between 0–129°C. If the temperature is higher than 99°C, the digital display shows single and double digits. For example, if the digital display shows "0.5", the compressor discharge temperature is 105°C. If the digital display shows "1.6", the compressor discharge temperature is 116°C.																
10	AD value of current	The display value is a hexadecimal number.																
11	AD value of voltage																	
12	Indoor unit running mode code	Off:0, Fan only: 1, Cooling: 2, Heating: 3, Forced cooling: 4, Dry: 6, Self-clean: 8, Forced defrosting: 10																
13	Outdoor unit running mode code	Off:0, Fan only: 1, Cooling: 2, Heating: 3, Forced cooling: 4, Dry: 6, Self-clean: 8, Forced defrosting: 10																
14	EXV open angle	Actual data/4. If the value is higher than 99, the digital display shows single and double digits. For example, if the digital display shows "2.0", the EXV open angle is 120×4=480p.																
15	Frequency limit symbol	<table border="1"> <thead> <tr> <th>Bit7</th> <th>Frequency limit caused by IGBT radiator</th> </tr> </thead> <tbody> <tr> <td>Bit6</td> <td>Frequency limit caused by PFC</td> </tr> <tr> <td>Bit5</td> <td>Frequency limit caused by T4.</td> </tr> <tr> <td>Bit4</td> <td>Frequency limit caused by T2.</td> </tr> <tr> <td>Bit3</td> <td>Frequency limit caused by T3.</td> </tr> <tr> <td>Bit2</td> <td>Frequency limit caused by T5.</td> </tr> <tr> <td>Bit1</td> <td>Frequency limit caused by current</td> </tr> <tr> <td>Bit0</td> <td>Frequency limit caused by voltage</td> </tr> </tbody> </table> <p>The display value is a hexadecimal number. For example, the digital display show 2A, then Bit5=1, Bit3=1, and Bit1=1. It means frequency limit may be caused by T4, T3 or the current.</p>	Bit7	Frequency limit caused by IGBT radiator	Bit6	Frequency limit caused by PFC	Bit5	Frequency limit caused by T4.	Bit4	Frequency limit caused by T2.	Bit3	Frequency limit caused by T3.	Bit2	Frequency limit caused by T5.	Bit1	Frequency limit caused by current	Bit0	Frequency limit caused by voltage
Bit7	Frequency limit caused by IGBT radiator																	
Bit6	Frequency limit caused by PFC																	
Bit5	Frequency limit caused by T4.																	
Bit4	Frequency limit caused by T2.																	
Bit3	Frequency limit caused by T3.																	
Bit2	Frequency limit caused by T5.																	
Bit1	Frequency limit caused by current																	
Bit0	Frequency limit caused by voltage																	
16	DC fan motor speed	0: Off, 1: Turbo, 2: High, 3: Medium, 4: Low, 5: Breeze, 6: Supper breeze																
17	IGBT radiator temperature	The display value is between 0–30°C. If the temperature is higher than 99°C, the digital display shows single and double digits. For example, if the digital display shows "0.5", the IGBT radiator temperature is 105 °C. If the digital display shows "1.6", the IGBT radiator temperature is 116°C.																
18	Indoor unit number	The indoor unit can communicate with outdoor unit. General: 1, Twins: 2																

PART 5. ELECTRICAL CONTROL SYSTEM

N	Display	Remark
19	Condenser pipe temperature of #1 indoor unit	If the temperature is lower than 0°C, the digital display shows "0". If the temperature is higher than 70°C, the digital display shows "70".
20	Condenser pipe temperature of #2 indoor unit	If the capacity demand is 0, the digital display shows "0". If the indoor unit is not connected, the digital display shows:
21	Reserved	"— —"(heating T2, cooling T2B)
22	#1 Indoor unit capacity demand code	Actual data*HP*10
23	#2 Indoor unit capacity demand code	If a capacity demand code is higher than 99, the digital display shows single and double digits.
24	Reserved	For example, if the digital display reads "5.0", the capacity demand is 15. If the digital display shows "60", the capacity demand is 6.0. If the indoor unit is not connected, the digital display shows: "— —"
25	Indoor room temperature of #1 indoor unit	If the temperature is lower than -9°C, the digital display shows "9". If the temperature is higher than 70°C, the digital display shows "70". If the capacity demand is 0, the digital display shows "0". If the indoor unit is not connected, the digital display shows: "— —"
26	Indoor room temperature of #2 indoor unit	If the temperature is lower than 0°C, the digital display shows "0". If the temperature is higher than 70°C, the digital display shows "70". If the capacity demand is 0, the digital display shows "0". If the indoor unit is not connected, the digital display shows: "— —"
27	Average of indoor room temperature	If the temperature is lower than 0°C, the digital display shows "0". If the temperature is higher than 70°C, the digital display shows "70"
28	Shut down cause	Refer to Appendix
29	T2B of #1 indoor unit	If the temperature is lower than -9°C, the digital display shows "9". If the temperature is higher than 70°C, the digital display shows "70". If the capacity demand is 0, the digital display shows "0". If the indoor unit is not connected, the digital display shows: "— —"
30	T2B of #2 indoor unit	If the temperature is lower than 0°C, the digital display shows "0". If the temperature is higher than 70°C, the digital display shows "70". If the capacity demand is 0, the digital display shows "0". If the indoor unit is not connected, the digital display shows: "— —"

Appendix

Shutdown Causes	Code
Frequency limit caused by current	1
Frequency limit caused by T2 in cooling	2
Frequency limit caused by T2 in heating	3
Preset temperature reached	4
Frequency limit caused by T4	5
Defrosting	6
Mode switching	7
High discharge temperature protection	9
High evaporator coil temperature T2 protection	10
Evaporator low temperature T2 protection	11
Condenser high temperature T3 protection	12
Low indoor room temperature protection in drying mode	13

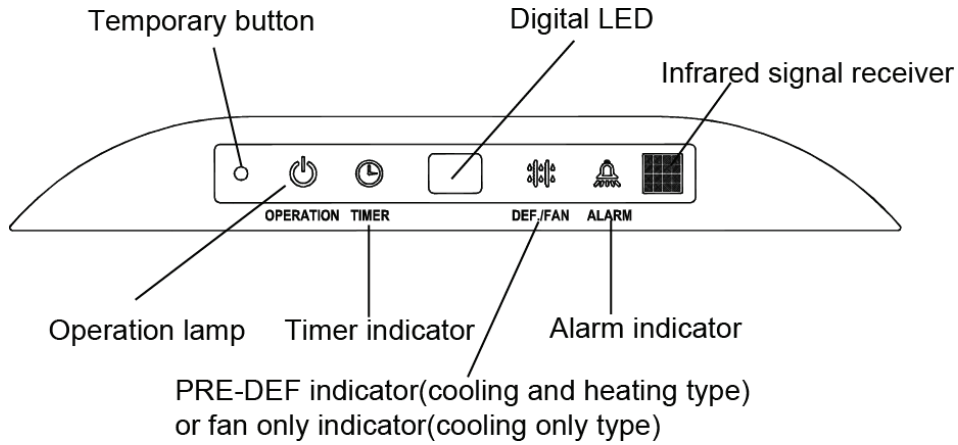
PART 5. ELECTRICAL CONTROL SYSTEM

Shutdown Causes	Code
Low ambient temperature protection	14
Refrigerant leakage detection	15
Communication malfunction between indoor and outdoor units	16
Communication error between outdoor main chip and compressor driven chip IR341	17
AC power input voltage protection	18
Top temperature protection of compressor	19
Outdoor EE Malfunction	20
Fan speed malfunction	21
Temperature sensor open or short circuit	22
Overcurrent protection	23
IMP overcurrent protection	24
Compressor lack of phase	25
Compressor malfunction	26
Low pressure protection of 311	27
Fan current protection	28
Fan lack of phase	29
Fan zero speed protection	30
PFC module protection	31
High pressure protection of 311	32
Zero speed malfunction	33
PWM malfunction	34
MCE malfunction	35
Compressor overcurrent protection	36
Compressor EE malfunction	37
Compressor start-up malfunction	38
311 fan speed has been malfunction	39
Low pressure protection	40
High pressure protection	41
PFC module malfunction	42
Shutdown stop	49
Electrical disconnect	50
DR stop	51

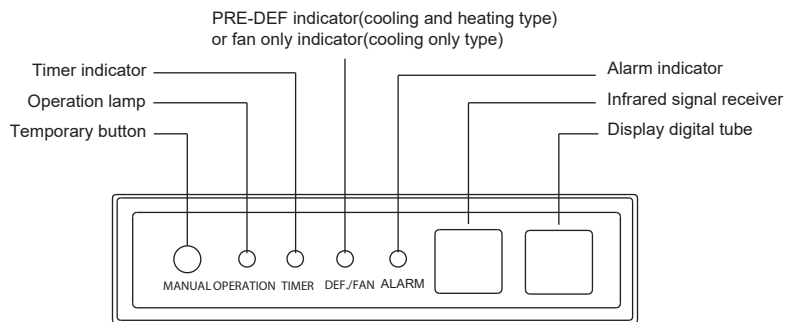
PART 6. TROUBLESHOOTING

1. DISPLAY BOARD

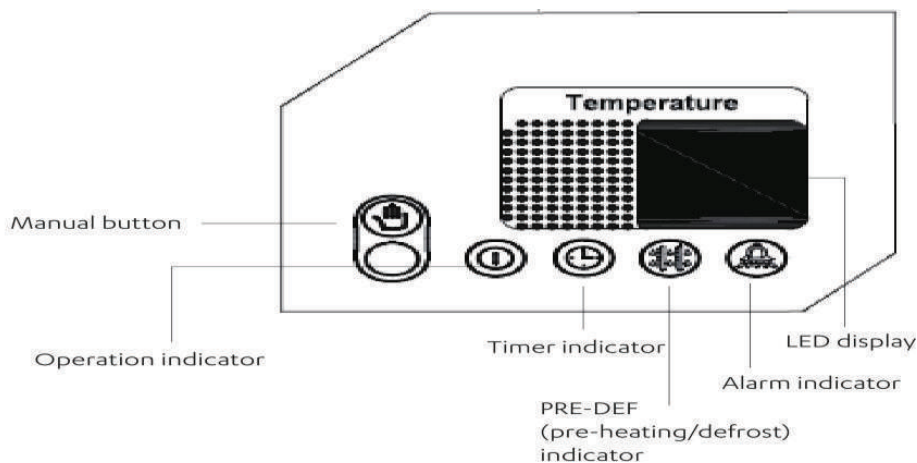
1.1 Icon explanation on indoor display board (super slim cassette).



1.2 Icon explanation on indoor display board duct type)

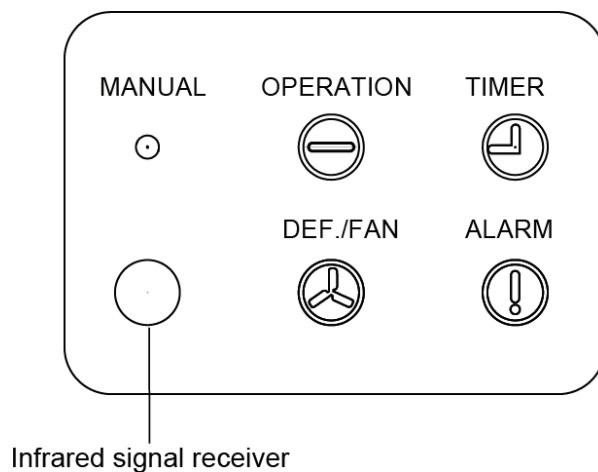


1.3 Auto-lifting panel of 4 way cassette type



PART 6. TROUBLESHOOTING

1.4 Display board of ceiling&floor indoor unit



2. INDOOR UNIT MALFUNCTIONS

○ (on); × (off); ☆ (flash at 2Hz)

Malfunction	Error Code	Timer Lamp	Operation Lamp (flashes)
Indoor EEPROM malfunction	E0	×	1
Communication malfunction between indoor and outdoor units	E1	×	2
Indoor fan speed malfunction	E3	×	4
T1 temperature sensor open or short circuit	E4	×	5
T2 temperature sensor open or short circuit	E5	×	6
Refrigerant leakage detection	EC	×	7
Water level alarm malfunction	EE	×	8
Communication error between master and slave unit (for twins system)	E8	×	9
Another indoor unit malfunction (for twins system)	E9	×	10
Outdoor unit is faulty (for old communication protocol)	Ed	×	11
Overcurrent protection (for some units)	F0	○	1
T4 temperature sensor open or short circuit	F1	○	2
T3 temperature sensor open or short circuit	F2	○	3
T5 temperature sensor open or short circuit	F3	○	4
Outdoor EEPROM malfunction (for some units)	F4	○	5
Outdoor fan speed malfunction	F5	○	6
T2B temperature open or short circuit (for free-match indoor units)	F6	○	7
Communication error between auto-lifting panel and slim cassette	F7	○	8
Auto-lifting panel is faulty (for slim cassettes with an auto-lifting panel)	F8	○	9
Auto-lifting panel is not closed (for slim cassettes with an auto-lifting panel)	F9	○	10
IPM module malfunction	P0	☆	1
DC voltage too high/too low protection	P1	☆	2
Top of compressor high temperature protection	P2	☆	3
Low ambient temperature protection	P3	☆	4
Inverter compressor drive protection	P4	☆	5
Compressor low pressure protection	P6	☆	7
Outdoor IGBT sensor is faulty	P7	☆	8

PART 6. TROUBLESHOOTING

3. OUTDOOR UNIT MALFUNCTIONS (FOR 24~60K)

Display	Malfunction or Protection
E1	Communication malfunction between indoor and outdoor units
F0	Overcurrent protection
F1	Ambient temperature sensor (T4) malfunction
F2	Outdoor heat-exchanger temperature sensor (T3) malfunction
F3	Discharge temperature sensor (T5) malfunction
F4	Outdoor EEPROM malfunction
F5	Outdoor fan speed malfunction
P0	IPM module protection
P1	DC voltage too high/too low protection
P3	Ultra-low ambient temperature protection
P4	Compressor rotor position protection
J0	Evaporator high temperature protection
J1	Condenser high temperature protection
J2	High discharge temperature protection
J3	PFC module protection
J4	Communication error between outdoor main chip and compressor driven chip
J5	High pressure protection
J6	Low pressure protection
P7	IGBT sensor malfunction
J8	AC power input voltage protection

NOTE: In low ambient cooling mode, the LED displays "LC" or alternates between running frequency and "LC" (each appears for 0.5s).

○ (on); × (off); ☆ (flash at 2Hz)

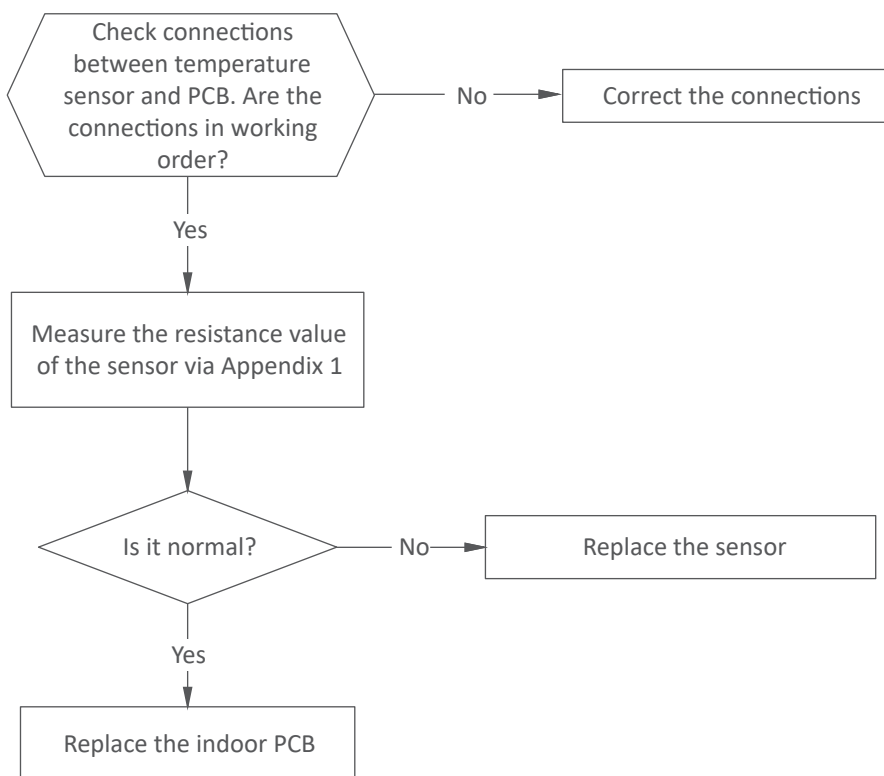
PART 6. TROUBLESHOOTING

4. RESOLVING TYPICAL MALFUNCTIONS

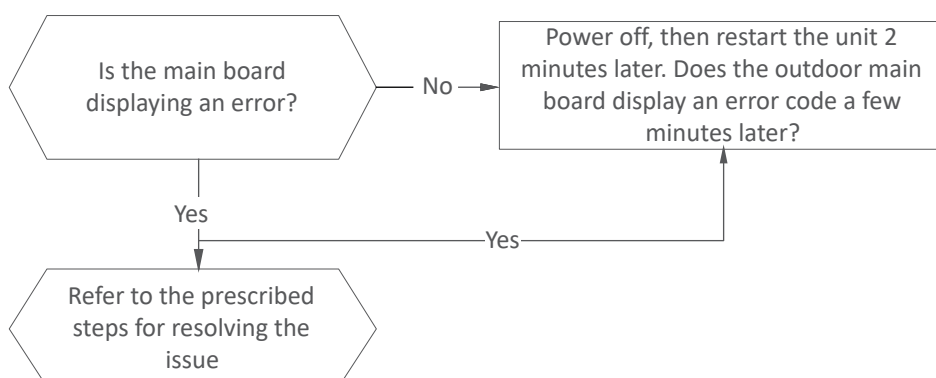
4.1 FOR INDOOR UNITS

4.1.1 Temperature Sensor Open or Short Circuit

Malfunction conditions	If the sampling voltage is lower than 0.06V or higher than 4.94V, the LED will display the failure.
Possible causes	<ul style="list-style-type: none"> Wiring mistakes Faulty sensor Faulty PCB



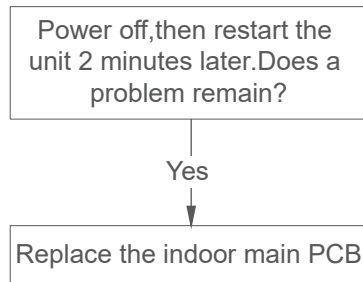
4.1.2 Outdoor Unit Malfunction



PART 6. TROUBLESHOOTING

4.1.3 Indoor EEPROM Malfunction

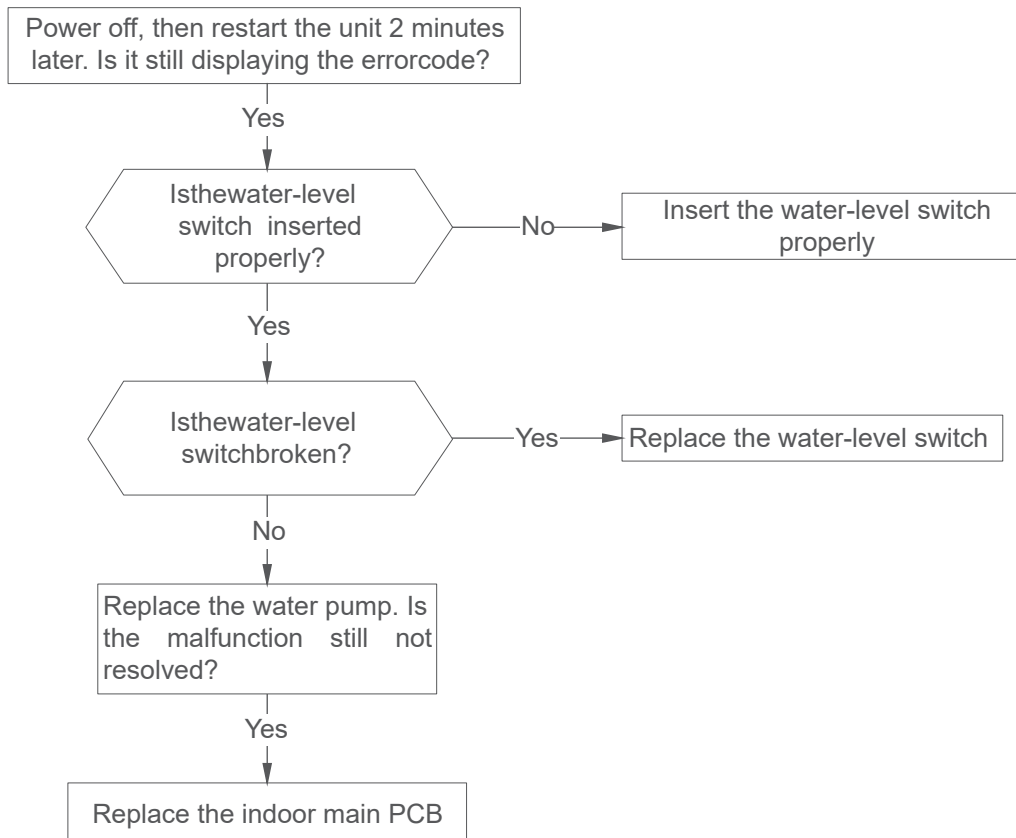
Malfunction conditions	Main PCB chip does not receive feedback from EEPROM chip
Possible causes	<ul style="list-style-type: none"> • Installation mistakes • Faulty PCB



EEPROM: An electrically erasable programmable read-only memory whose contents can be erased and reprogrammed using a pulsed voltage.

4.1.4 Water-Level Alarm Malfunction

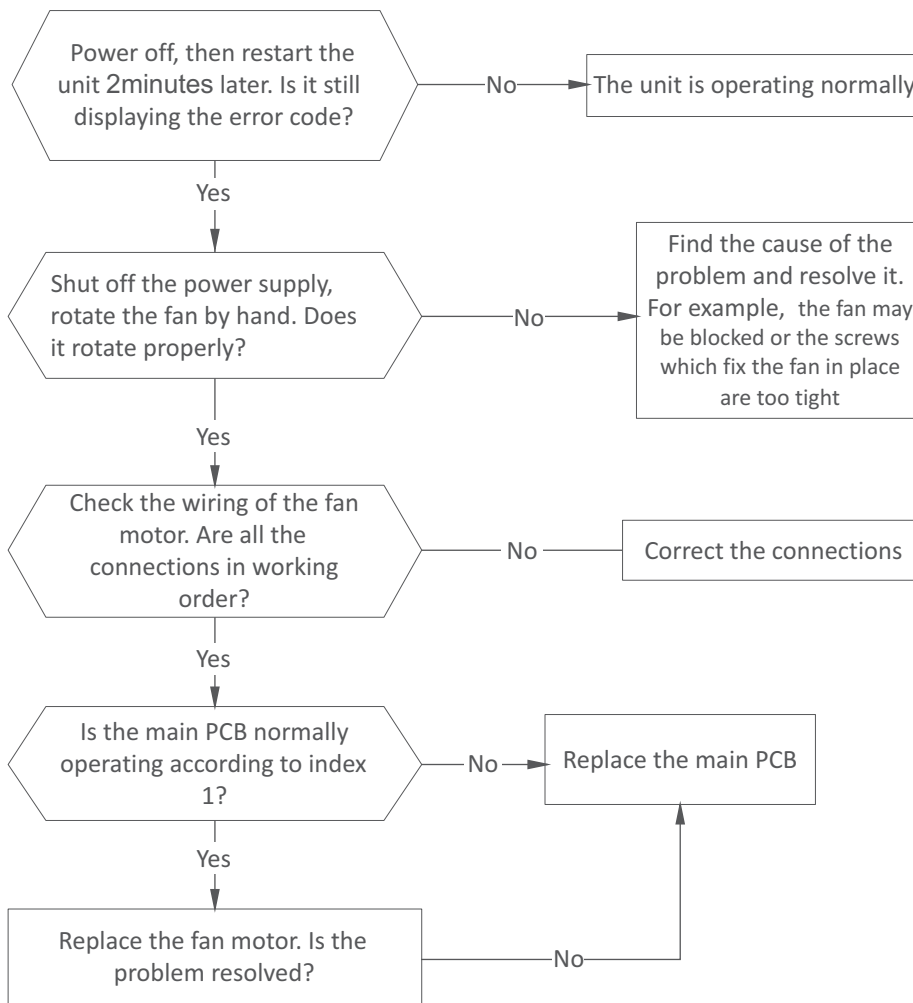
Malfunction conditions	If the sampling voltage is not 5V, the LED will display the failure code.
Possible causes	<ul style="list-style-type: none"> • Wiring mistakes • Faulty water-level switch • Faulty water pump • Faulty indoor PCB



PART 6. TROUBLESHOOTING

4.1.5 Indoor Fan Speed Malfunction

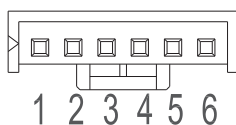
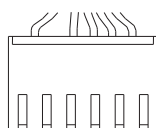
Malfunction conditions	When indoor fan speed continues to run at too low a speed (300RPM) for a certain period of time, the unit will stop and the LED will display a failure code
Possible causes	<ul style="list-style-type: none"> Wiring mistakes Faulty fan assembly Faulty fan motor Faulty PCB



INDEX 1:

1. Indoor DC fan motor (control chip is located inside the fan motor)

Power on and when the unit is on standby, measure the voltage of pin1-pin3, pin4-pin3 in the fan motor connector. If the value of the voltage is not within the range shown in the following table, the PCB may be experiencing problems and may need to be replaced.



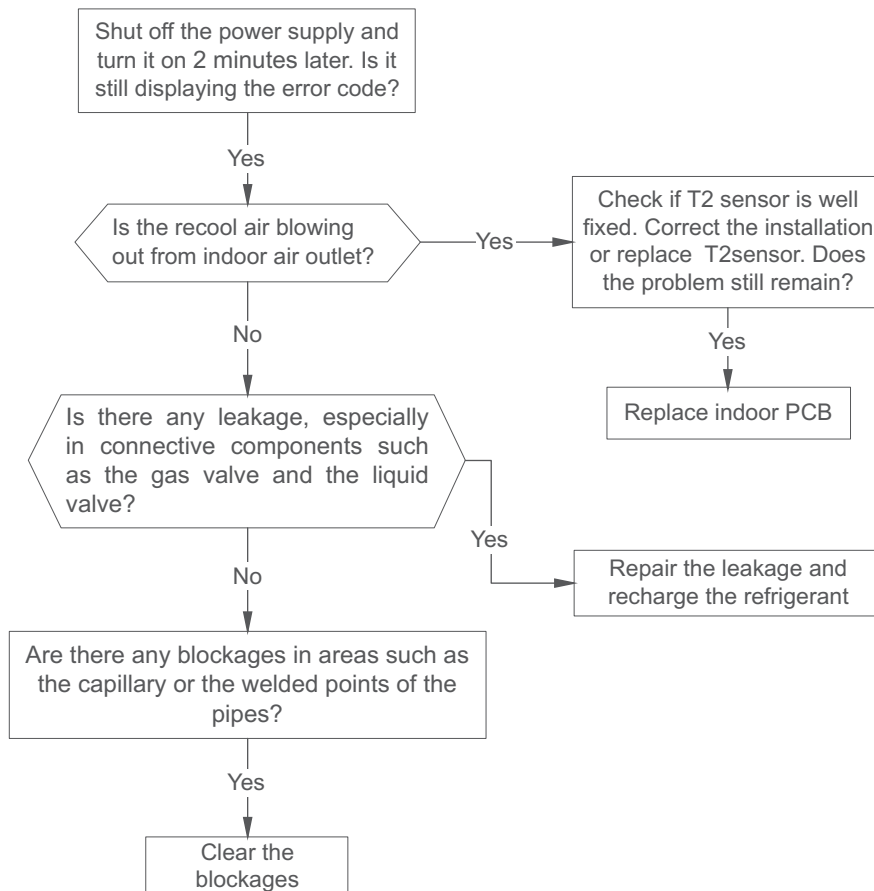
PART 6. TROUBLESHOOTING

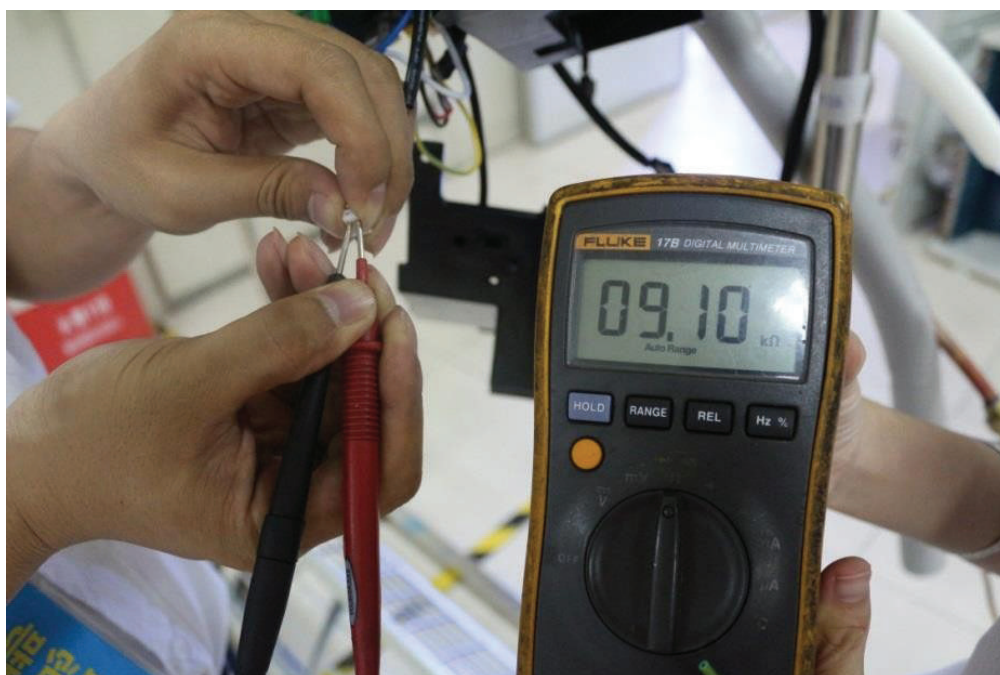
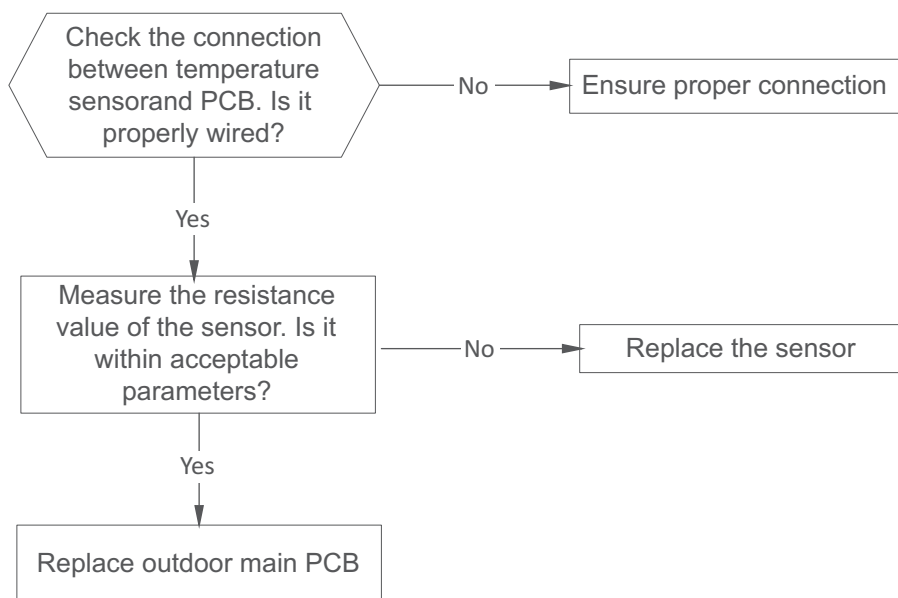
DC motor voltage input and output

NO.	Color	Signal	Voltage
1	Red	Vs/Vm	200V~380V
2	-	-	-
3	Black	GND	0V
4	White	Vcc	13.5-16.5V
5	Yellow	Vsp	0~6.5V
6	Blue	FG	13.5-16.5V

4.1.6 Refrigerant Leakage Detection

Malfunction conditions	Define the evaporator coil temperature T2 of the compressor starts running as Tcool. If the following occurs 3 times, the display shows "EC" and the unit switches off: In the first 8 minutes after the compressor starts up, if $T2 < T_{cool} - 2^{\circ}C$ is not maintained for 4 seconds and compressor running frequency is not higher than 50Hz for 3 minutes
Possible causes	<ul style="list-style-type: none"> T2 sensor error Indoor PCB error Refrigerant system error, such as leakage or blockages

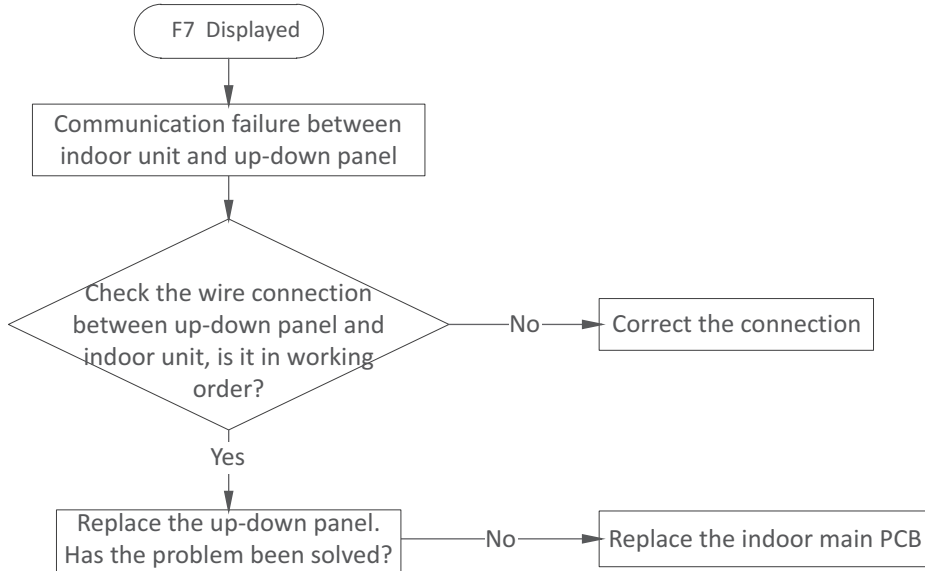


PART 6. TROUBLESHOOTING**4.1.7 Outdoor IGBT sensor is faulty****4.1.8 Communication malfunction between indoor and outdoor units The same as E1 in outdoor.**

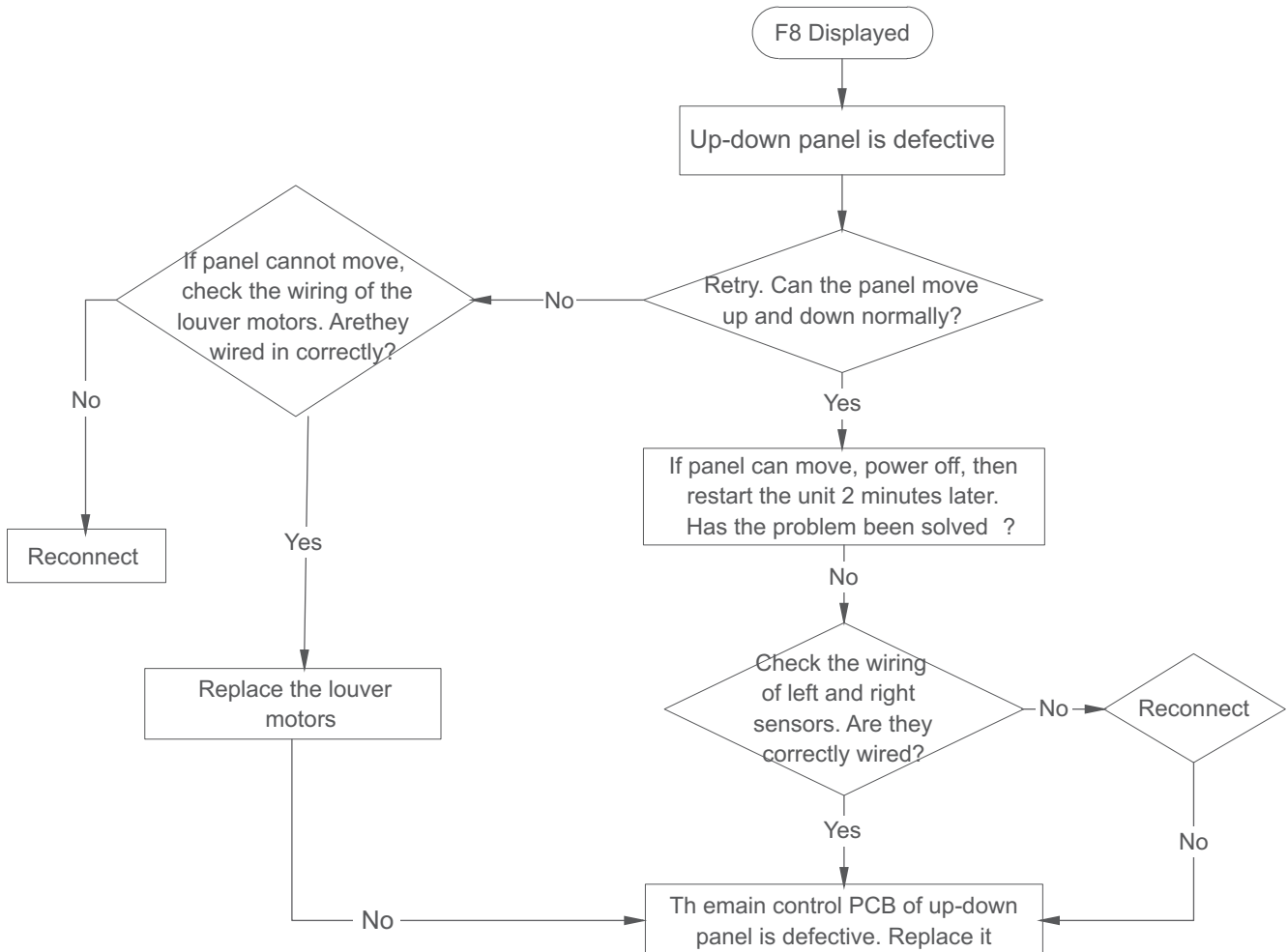
PART 6. TROUBLESHOOTING

4.2 SUPER-SLIM CASSETTES WITH AN UP-DOWN PANEL

4.2.1 Communication Errors between Indoor Unit and Up-Down Panel



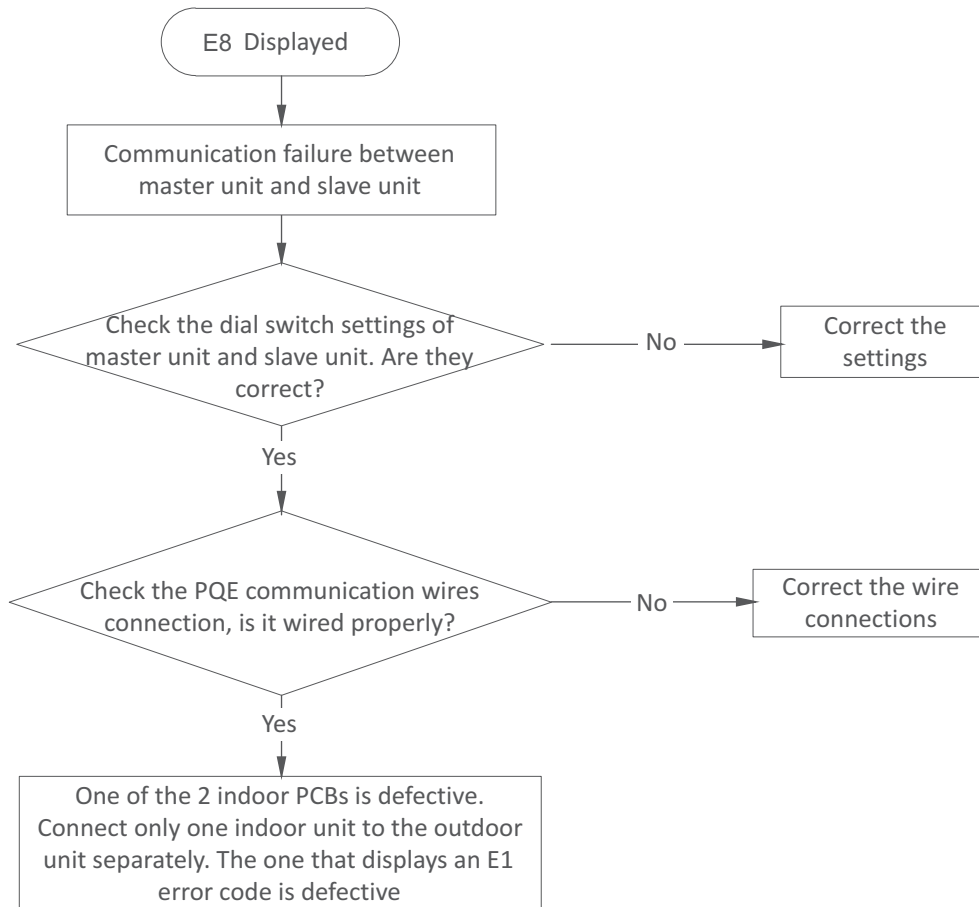
4.2.2 Up-down panel is defective



PART 6. TROUBLESHOOTING

4.3 UNITS WITH TWINS FUNCTION (FOR THE SUPER-SLIM CASSETTE & DUCT)

4.3.1 Communication Malfunction between Master Unit and Indoor Unit



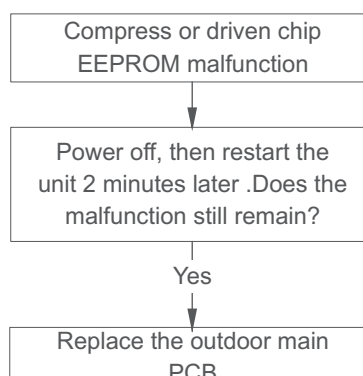
4.3.2 Other Malfunction between Master Unit and Indoor Unit

One indoor unit displays "E9", which means the other indoor unit is faulty. Check the other indoor unit's error code and then follow the prescribed solutions to resolve the malfunction.

4.4 OUTDOOR UNITS

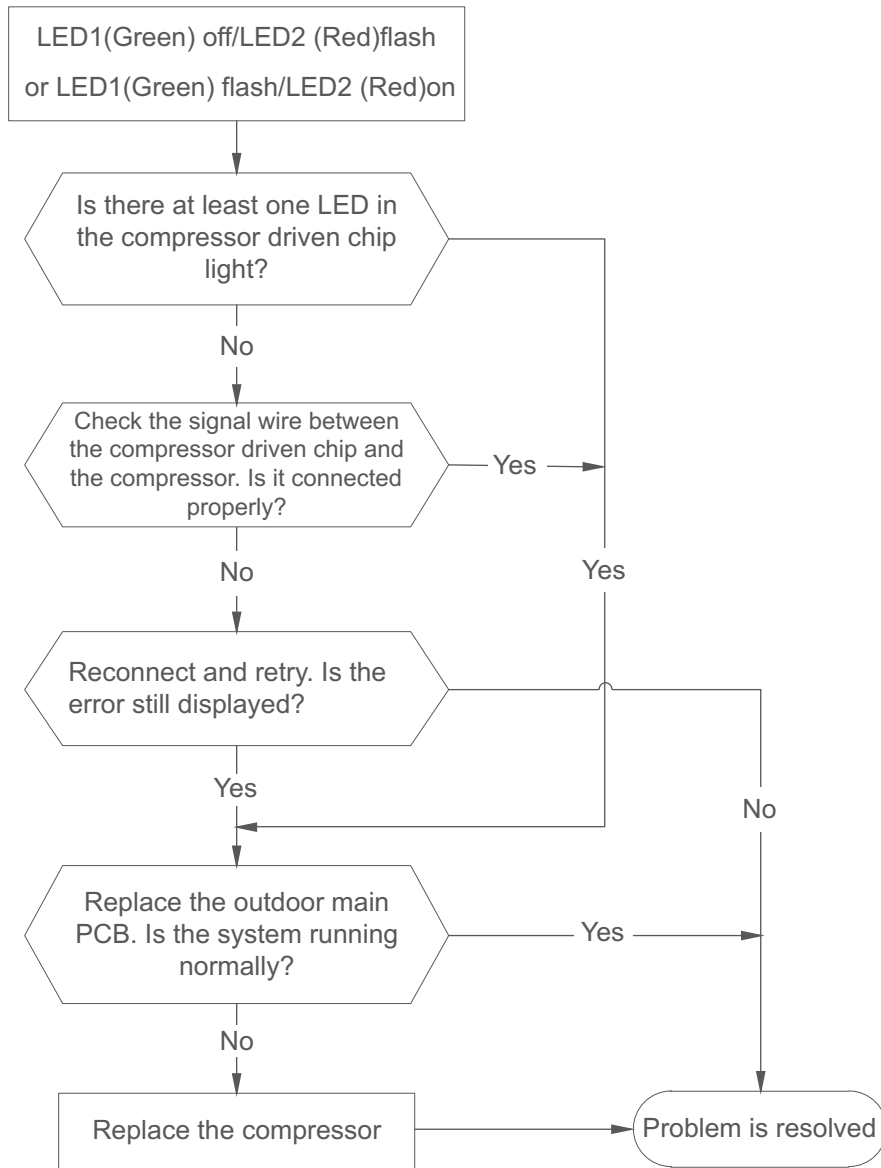
4.4.1 Compressor Driven Chip EEPROM Malfunction

Malfunction conditions	Main PCB chip does not receive feedback from EEPROM chip
Possible causes	<ul style="list-style-type: none"> Installation mistakes Faulty PCB

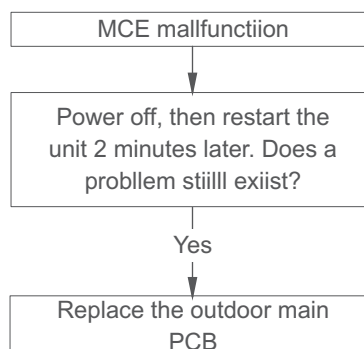


PART 6. TROUBLESHOOTING

4.4.2 Compressor Speed Malfunction/ Zero Speed Protection / Synchronous Fault Protection



4.4.3 MCE Malfunction

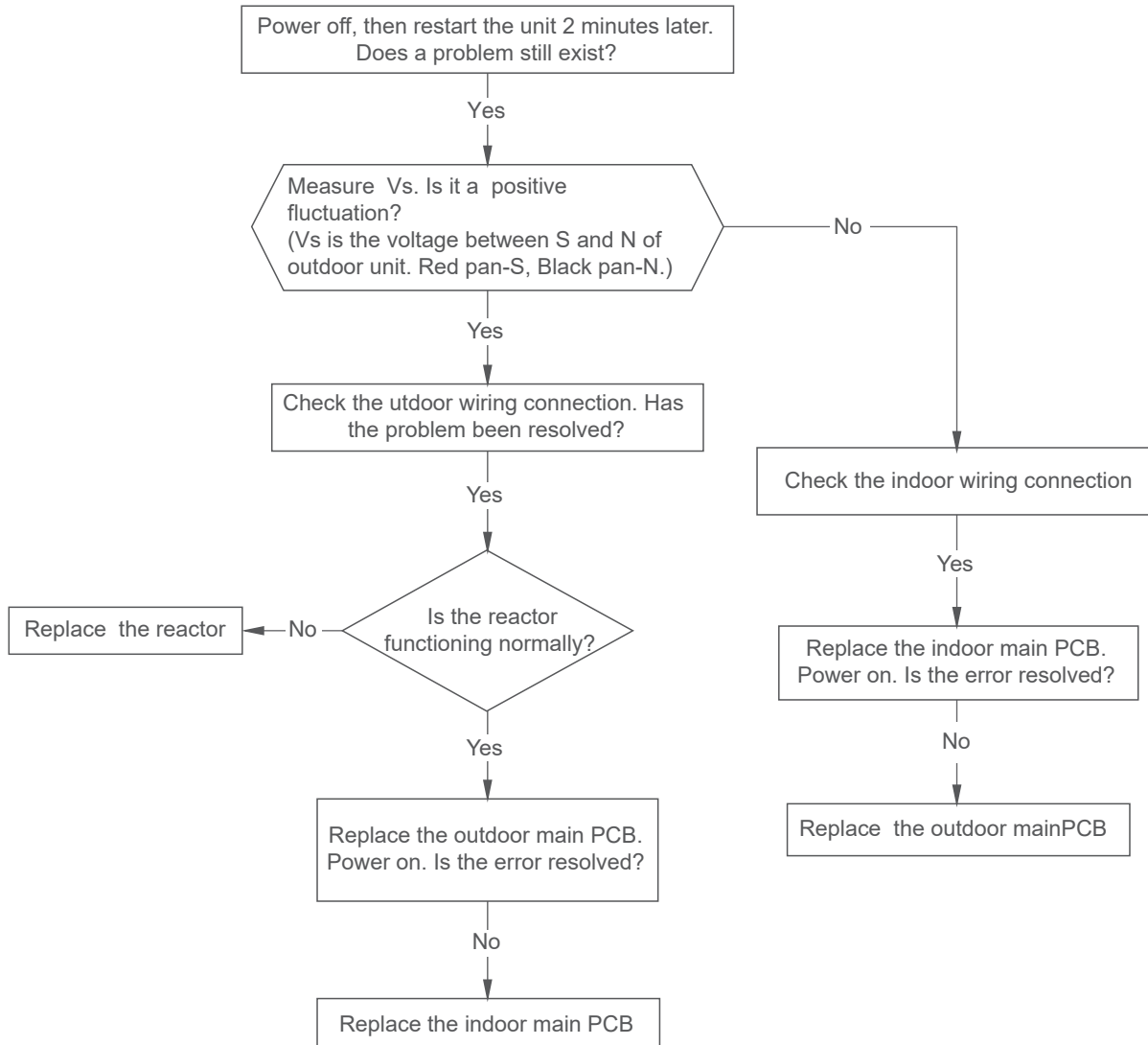


PART 6. TROUBLESHOOTING

4.4.4 E1 malfunction

- Current loop communication:

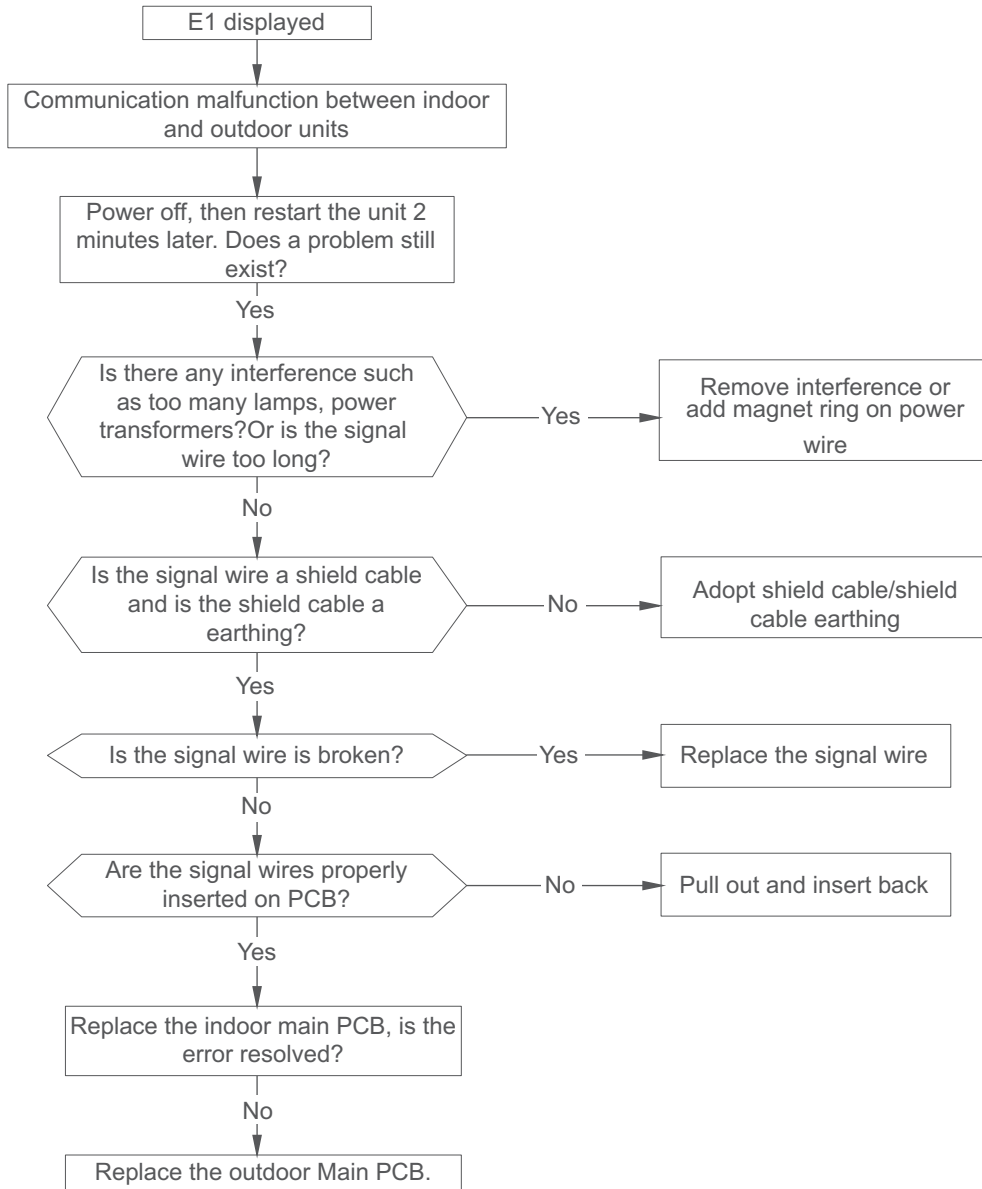
Malfunction conditions	Indoor unit does not receive feedback from outdoor unit for 110 seconds. This occurs 4 times in a row.
Possible causes	<ul style="list-style-type: none"> • Wiring mistakes • Faulty indoor or outdoor PCB



PART 6. TROUBLESHOOTING

- For 485 Communication

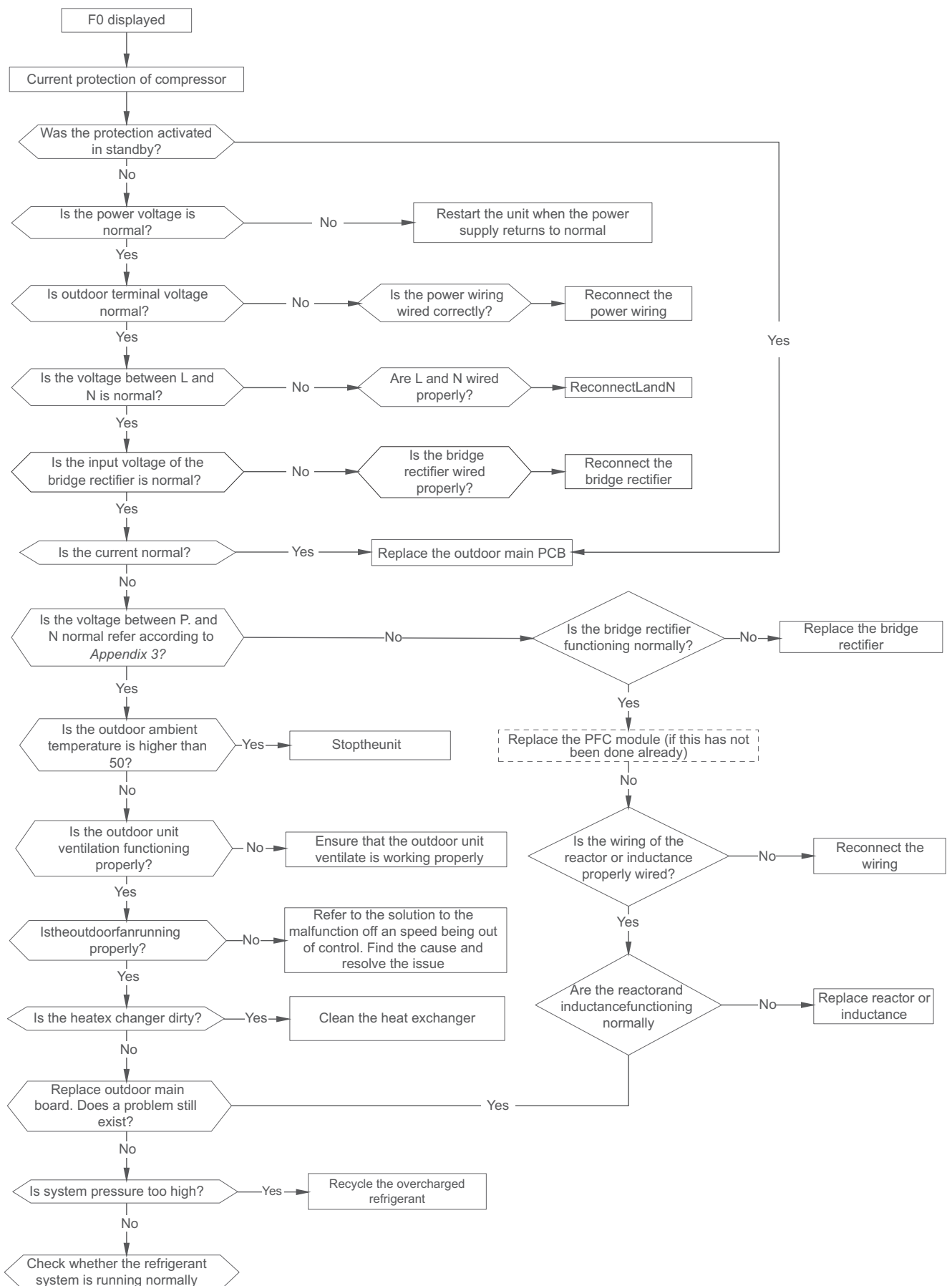
Malfunction conditions	Indoor unit does not receive feedback from outdoor unit for 60 seconds OR outdoor unit does not receive feedback from indoor unit for 120 seconds.
Possible causes	<ul style="list-style-type: none"> • Wiring mistakes • Faulty indoor or outdoor PCB



4.4.4 E1 malfunction

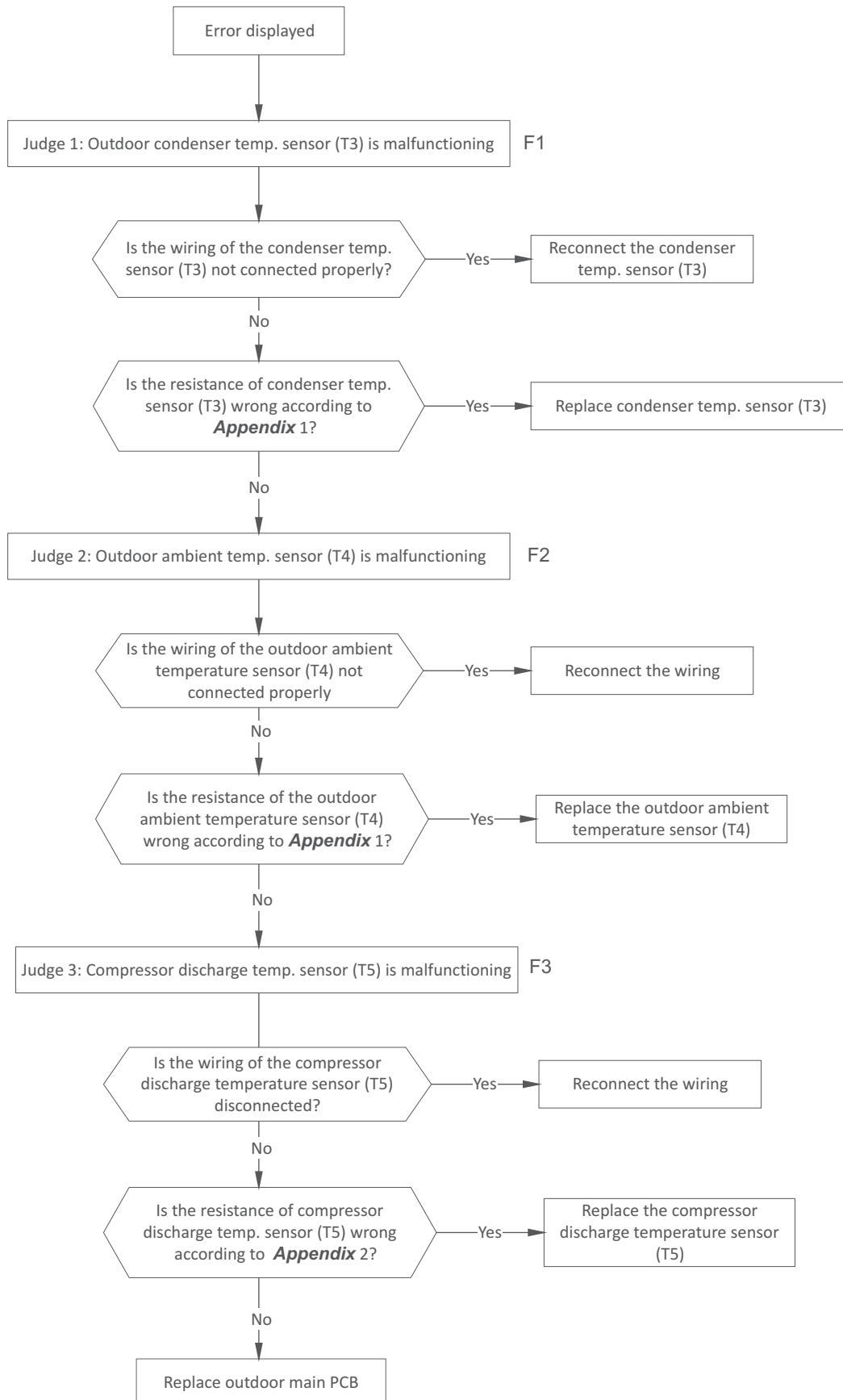
Malfunction conditions	If the outdoor current exceeds the current limit value, the LED displays a failure code.
Possible causes	<ul style="list-style-type: none"> • Wiring mistakes • Faulty bridge rectifier • System blockages • Faulty outdoor PCB

PART 6. TROUBLESHOOTING



PART 6. TROUBLESHOOTING

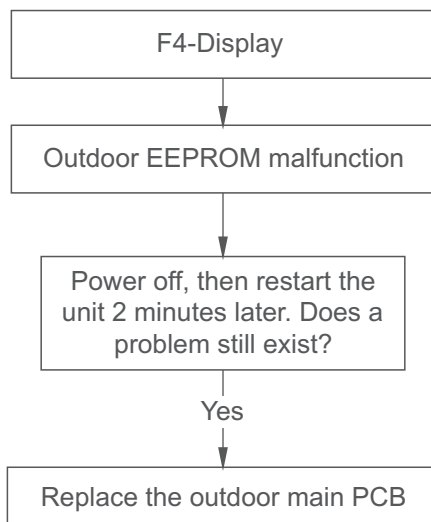
4.4.6 F1, F2, F3 Malfunction



PART 6. TROUBLESHOOTING

4.4.7 F4 Malfunction

Malfunction conditions	Main PCB chip does not receive feedback from EEPROM chip
Possible causes	<ul style="list-style-type: none"> • Installation mistakes • Faulty PCB



EEPROM: An electrically erasable programmable read-only memory whose contents can be erased and reprogrammed using a pulsed voltage.

4.4.8 F5 Malfunction

The same as E3 in indoor unit.

4.4.9 P0 Malfunction

Malfunction conditions	When the voltage signal to IPM sends to compressor drive chip is not normal, the LED displays “P0” and the unit turns off.
Possible causes	<ul style="list-style-type: none"> • Wiring mistakes • Faulty IPM board • Faulty outdoor fan assembly • Compressor malfunction • Faulty outdoor PCB

PART 6. TROUBLESHOOTING

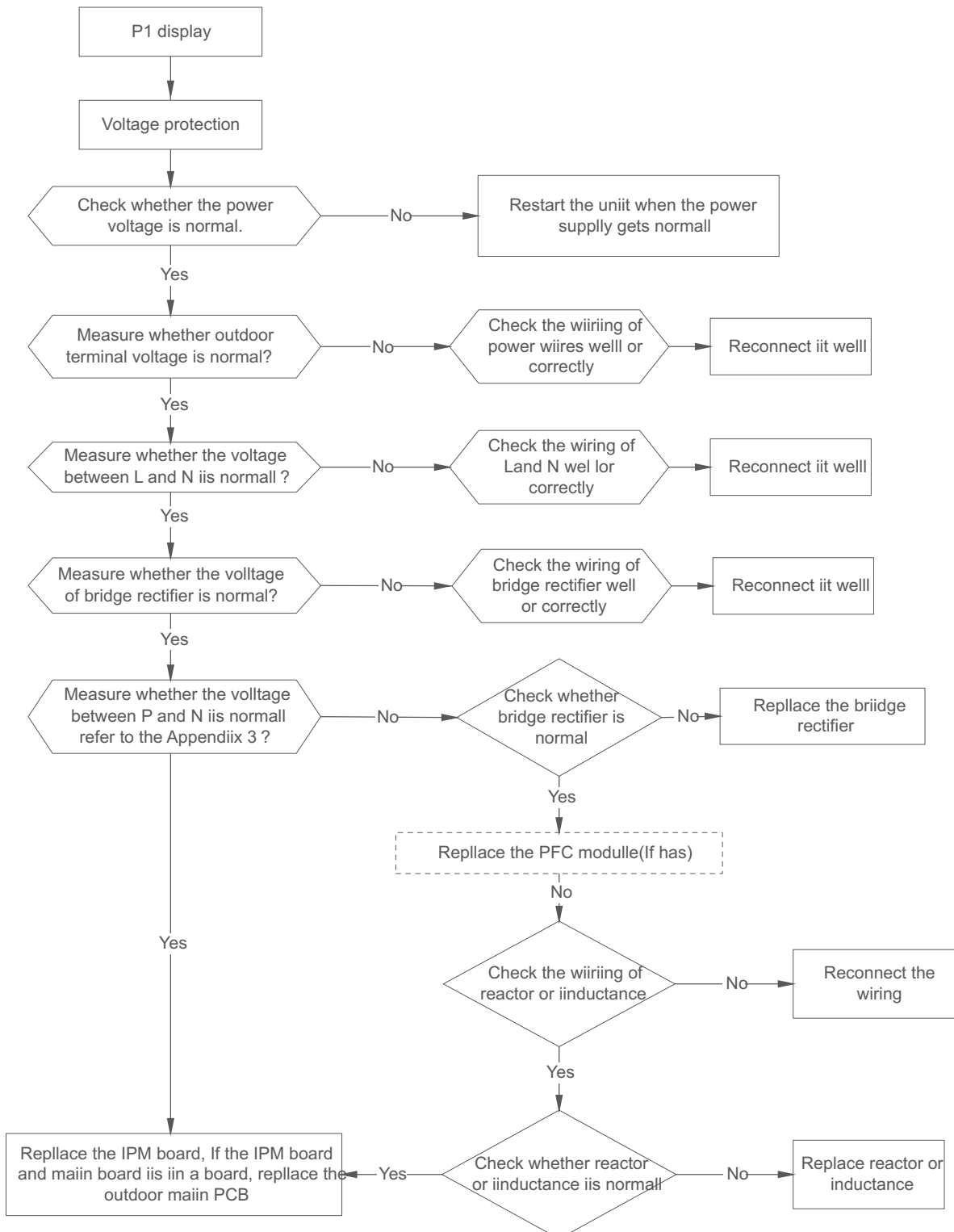
First, test the resistance between every two ports of U, V, the W of the IPM and P, N. If any of the results is 0 or close to 0, the IPM is defective. If not, follow the following procedure:



PART 6. TROUBLESHOOTING

4.4.10 P1 malfunction

Malfunction conditions	An abnormal voltage rise or drop is detected by checking the specified voltage detection circuit.
Possible causes	<ul style="list-style-type: none"> • Abnormal power supply • Wiring mistake • Faulty bridge rectifier • Faulty IPM board



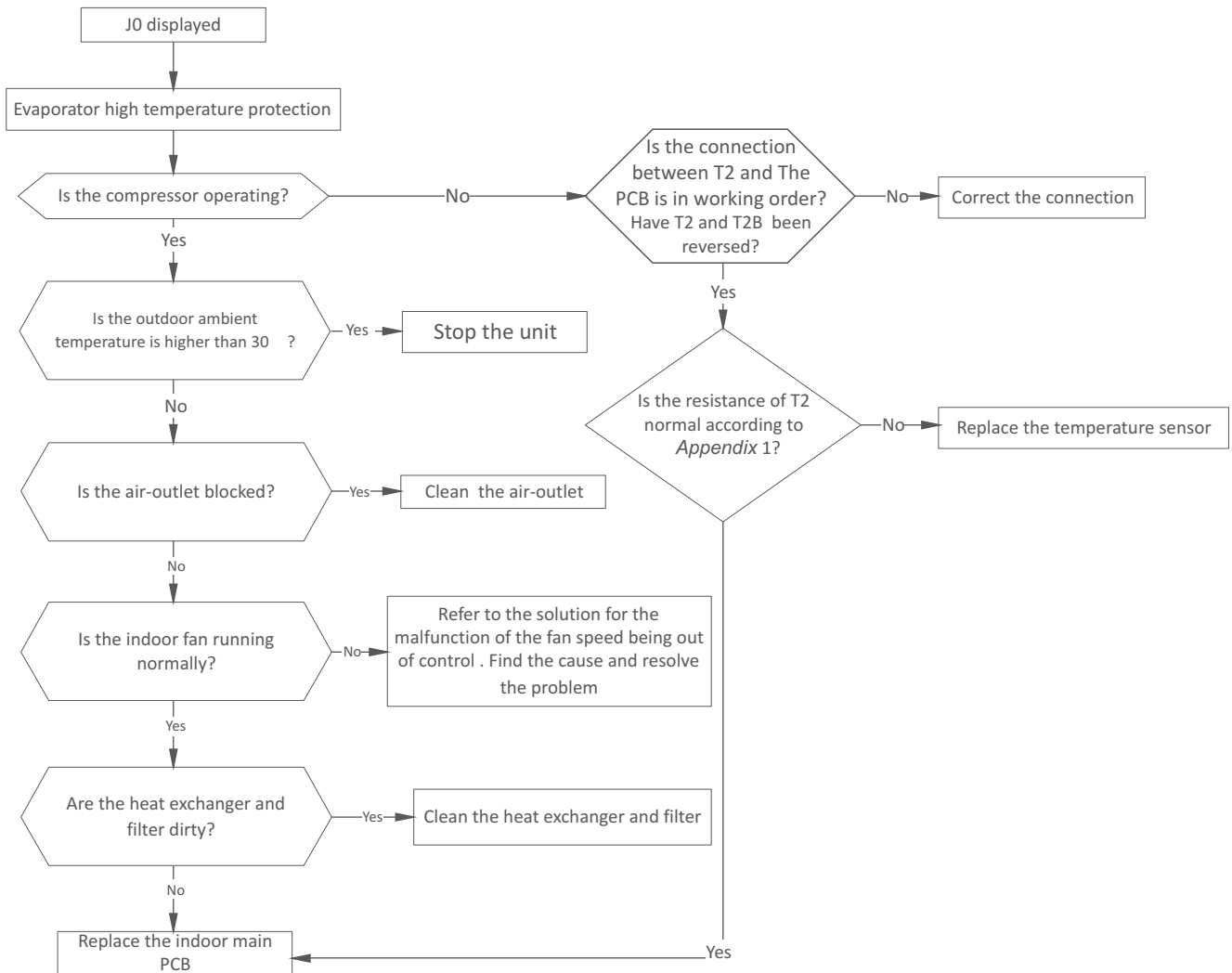
PART 6. TROUBLESHOOTING

4.4.11 P4 Malfunction

The troubleshooting is same as the “IPM module protection”

4.4.12 J0 Malfunction

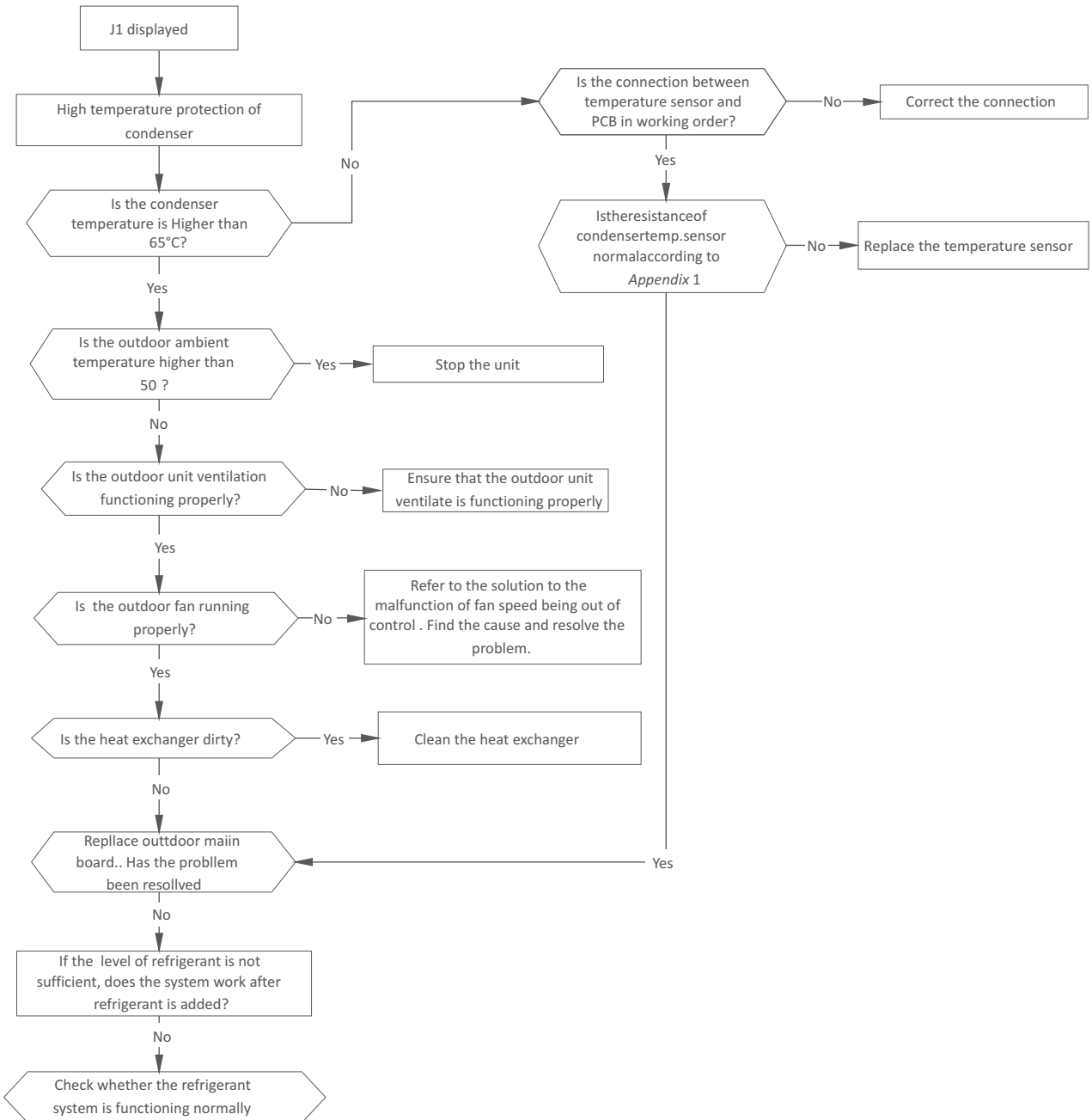
Malfunction conditions	When evaporator coil temperature is more than 60°C, the unit stops. It starts again only when the evaporator coil temperature is less than 54°C
Possible causes	<ul style="list-style-type: none"> • Faulty evaporator coil temperature sensor • Dirty heat exchanger • Faulty fan • Faulty PCB



PART 6. TROUBLESHOOTING

4.4.13 J1 Malfunction

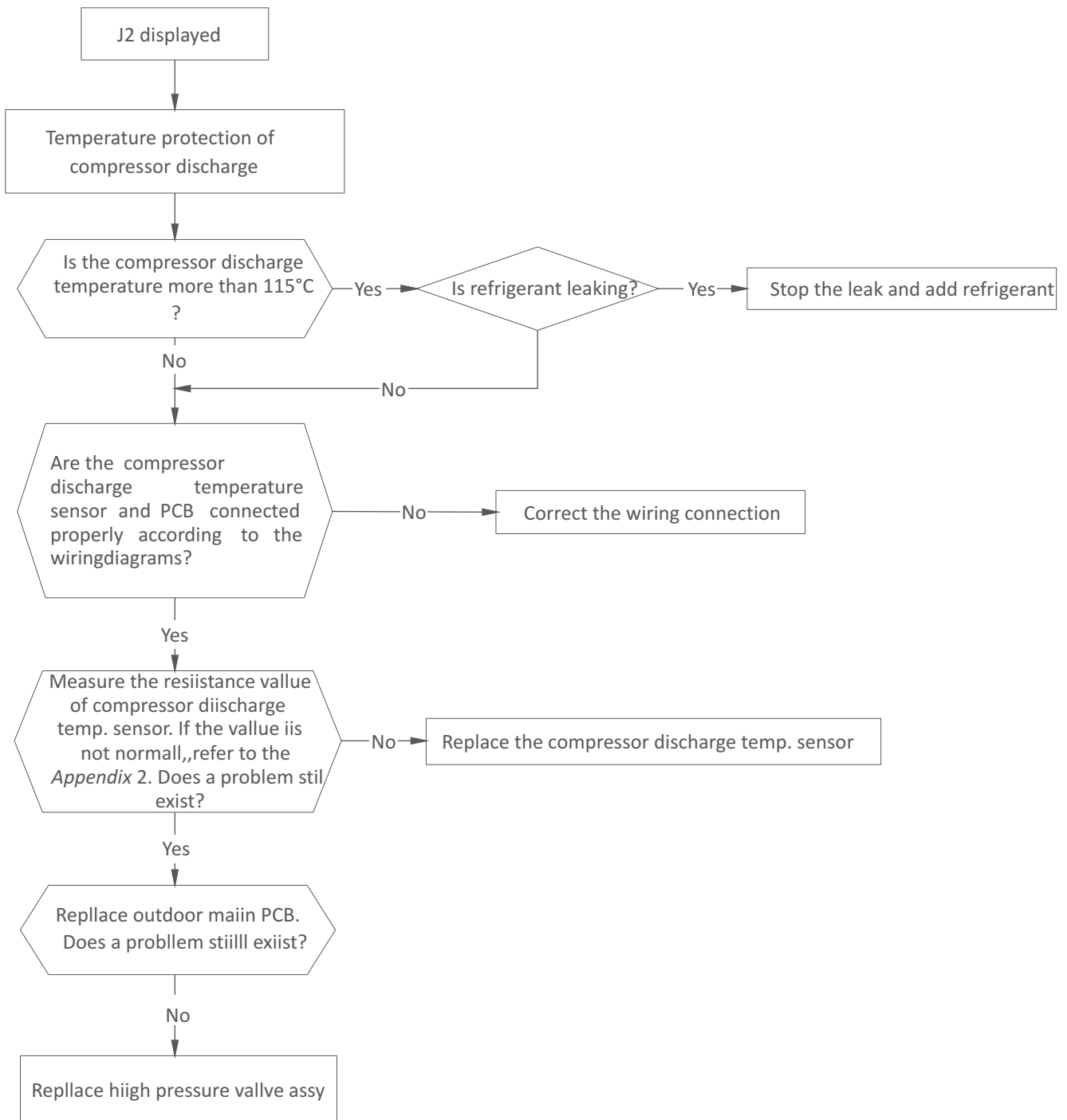
Malfunction conditions	When the outdoor pipe temperature is more than 65°C, the unit stops. It starts again only when the outdoor pipe temperature is less than 52°C.
Possible causes	<ul style="list-style-type: none"> • Faulty condenser temperature sensor • Dirty heat exchanger • System leakage or blockages



PART 6. TROUBLESHOOTING

4.4.14 J2 Malfunction

Malfunction conditions	When the compressor discharge temperature (T5) is more than 115°C for 10 seconds, the compressor will stop and not restart until T5 is less than 90°C.
Possible causes	<ul style="list-style-type: none"> • Refrigerant leakage • Wiring mistake • Faulty discharge temperature sensor • Faulty outdoor PCB

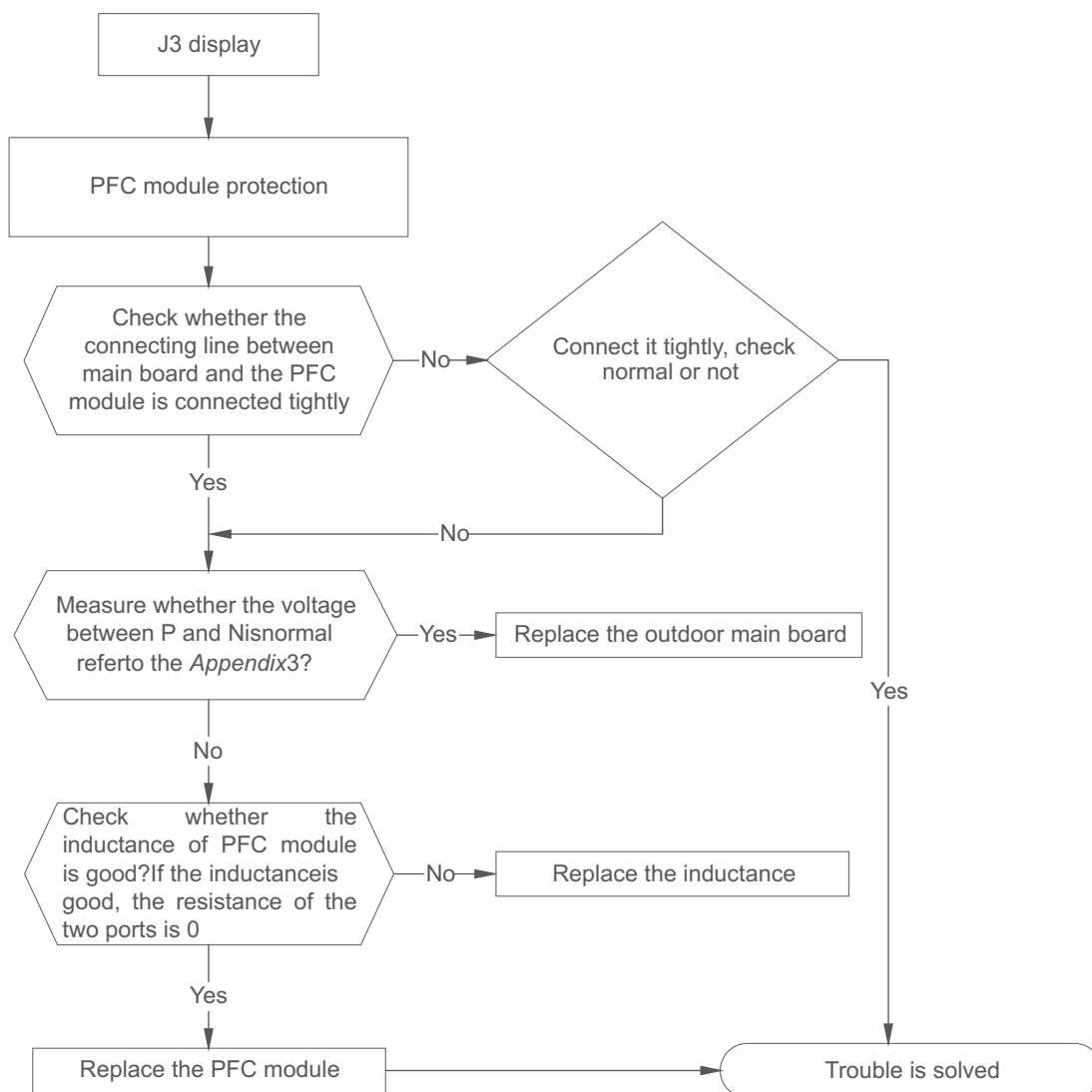


PART 6. TROUBLESHOOTING

4.4.15 J3 Malfunction

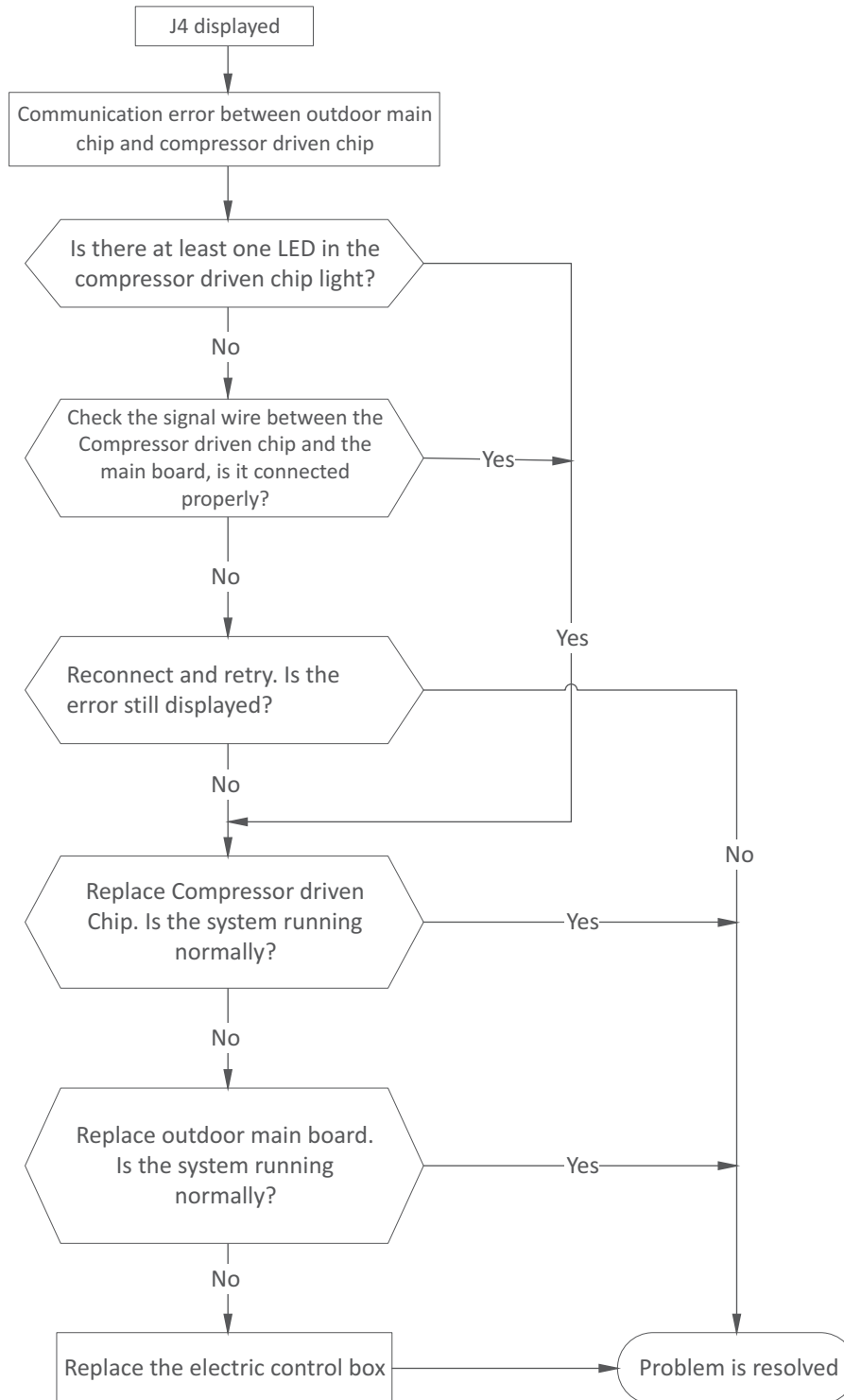
Malfunction conditions	When the voltage signal that IPM send to compressor drive chip is abnormal, the display LED will show "P6" and AC will turn off.
Possible causes	<ul style="list-style-type: none"> Wiring mistake Faulty IPM board Faulty outdoor fan ass'y Compressor malfunction Faulty outdoor PCB

At first test the resistance between every two ports of U, V, W of IPM and P, N. If any result of them is 0 or close to 0, the IPM is defective. Otherwise, please follow the procedure below:



PART 6. TROUBLESHOOTING

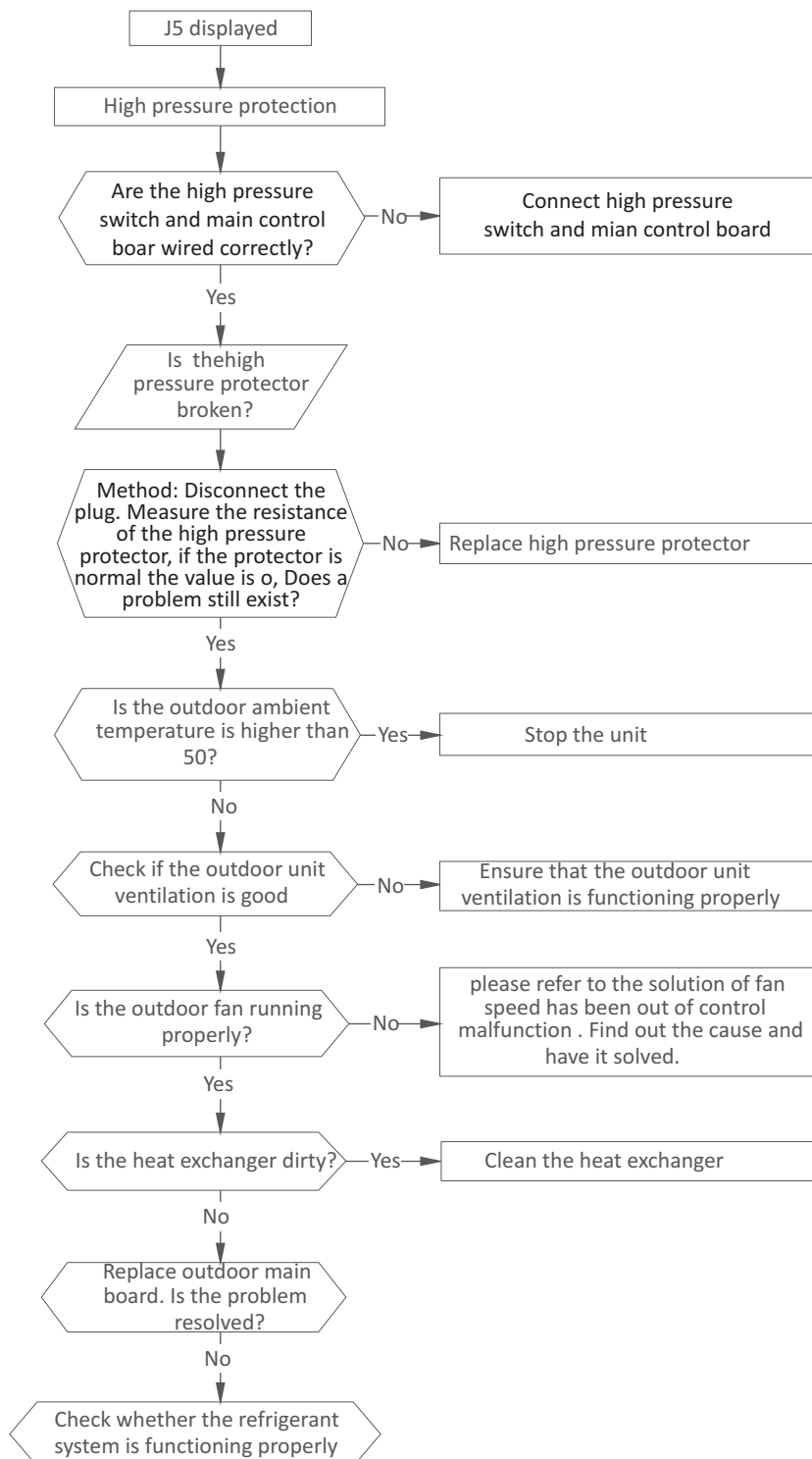
4.4.16 J4 Malfunction



PART 6. TROUBLESHOOTING

4.4.17 J5 Malfunction

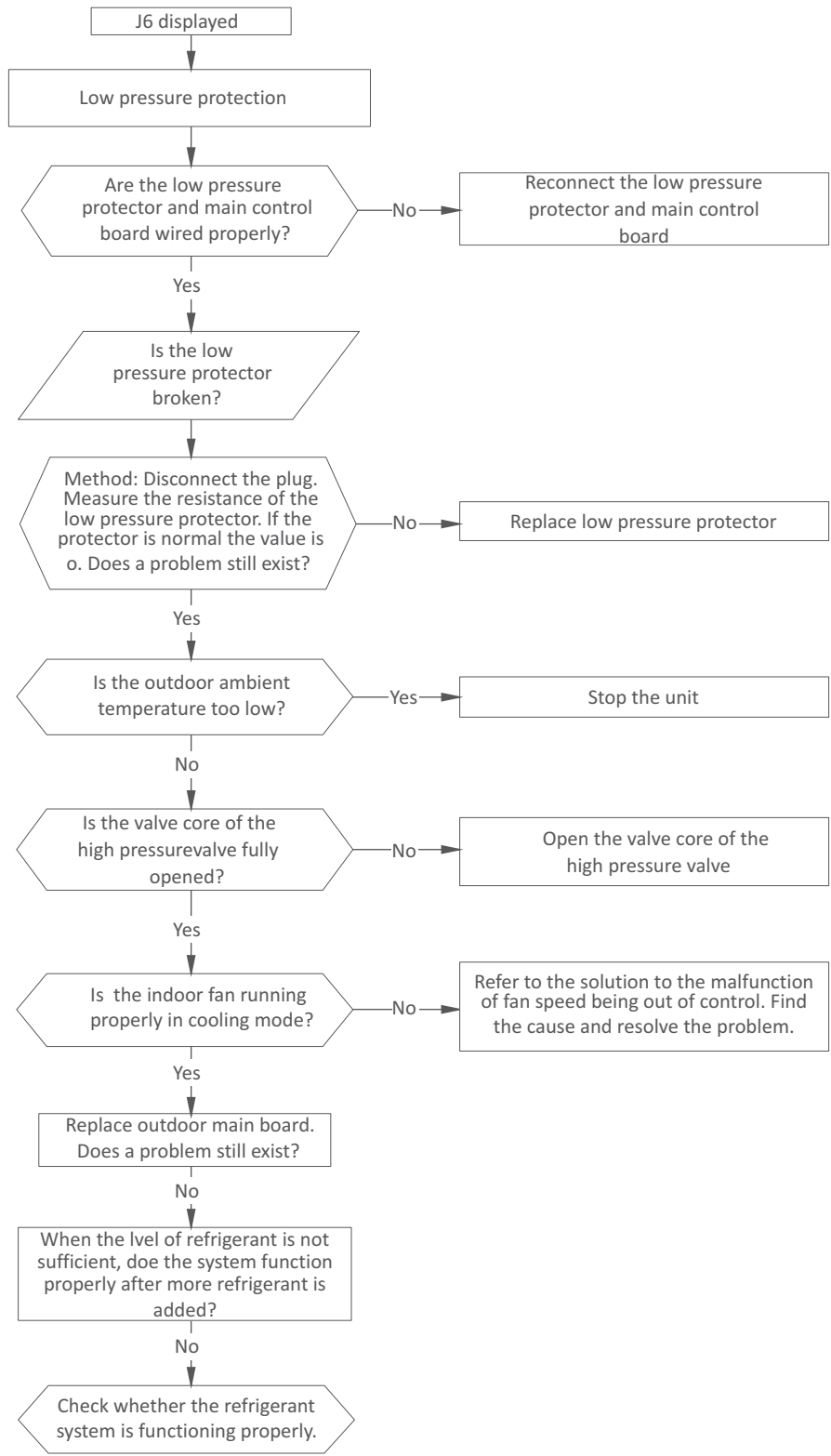
Malfunction conditions	If the sampling voltage is not 5V, the LED displays a failure code.
Possible causes	<ul style="list-style-type: none"> • Wiring mistakes • Faulty overload protector • System blockages • Faulty outdoor PCB



PART 6. TROUBLESHOOTING

4.4.18 P6/J6 Malfunction

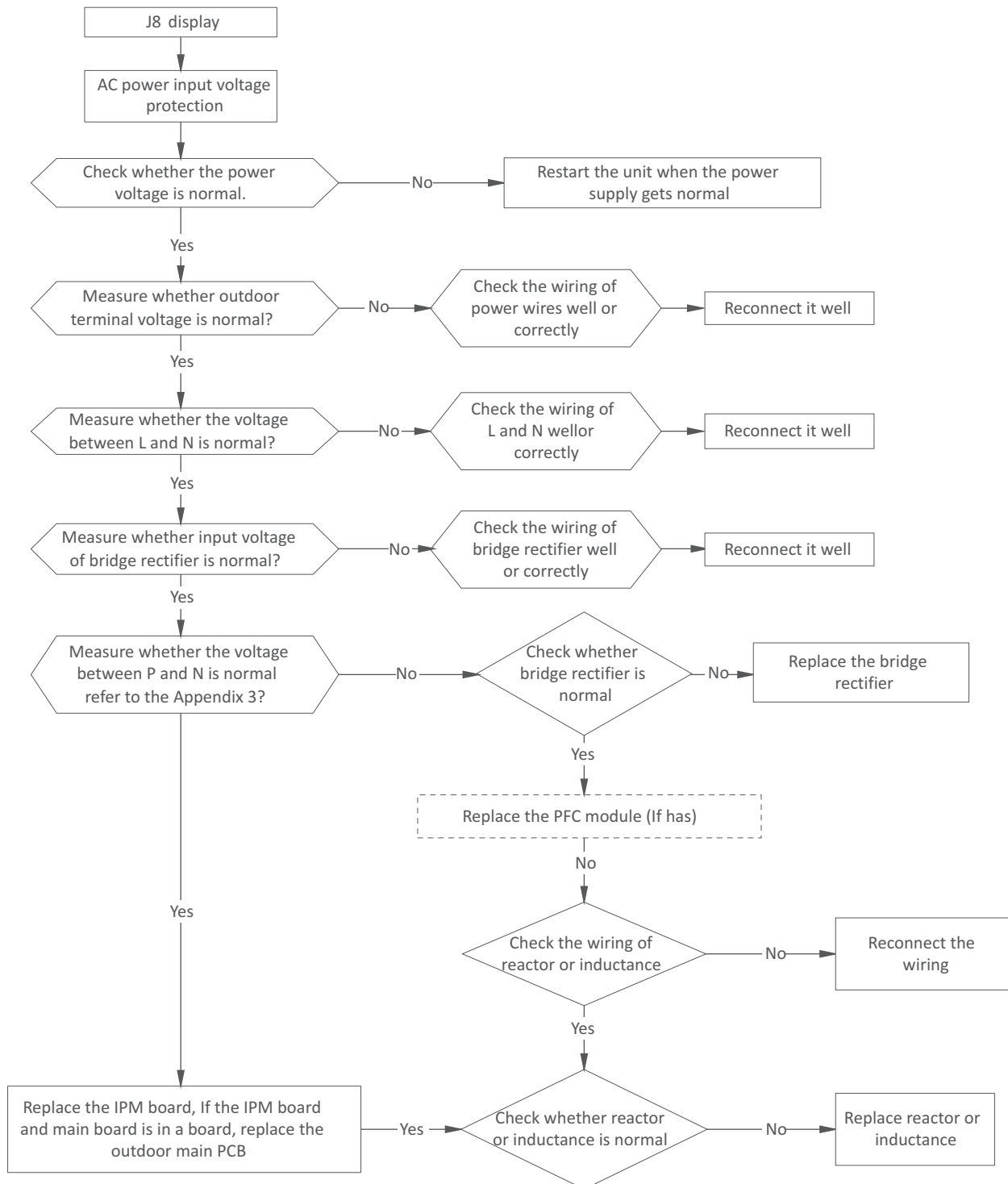
Malfunction conditions	If the sampling voltage is not 5V, the LED displays a failure code.
Possible causes	<ul style="list-style-type: none"> Wiring mistake Faulty over load protector System blockages Faulty outdoor PCB



PART 6. TROUBLESHOOTING

4.4.19 J8 malfunction

Malfunction conditions	An abnormal voltage rise or drop is detected by checking the specified voltage detection circuit.
Possible causes	<ul style="list-style-type: none"> • Abnormal power supply • Wiring mistake • Faulty bridge rectifier • Faulty IPM board



PART 7. CAPACITY TABLES

1. TENJI - SUPER SLIM CASSETTE

1.1 Capacity tables for 18K

a) Cooling

TC: Total Capacity; SHC: Sensible Heat Capacity; PI: Power Input

Indoor		Outdoor temperature (DB, °C)														
		20			25			30			35			40		
DB	WB	TC	SHC	PI	TC	SHC	PI	TC	SHC	PI	TC	SHC	PI	TC	SHC	PI
°C	°C	kW	kW	kW	kW	kW	kW	kW	kW	kW	kW	kW	kW	kW	kW	kW
20	14	5,44	4,24	1,25	5,20	4,16	1,36	4,97	4,07	1,47	4,69	3,94	1,60	4,55	3,91	1,71
22	16	5,72	4,38	1,26	5,48	4,30	1,37	5,23	4,21	1,49	4,93	4,07	1,62	4,79	4,04	1,73
25	18	6,03	4,52	1,27	5,77	4,44	1,39	5,51	4,35	1,50	5,19	4,21	1,63	5,04	4,18	1,75
27	19	6,15	4,55	1,28	5,88	4,47	1,39	5,62	4,38	1,51	5,30	4,24	1,64	5,14	4,22	1,75
30	22	6,58	4,77	1,29	6,29	4,69	1,41	6,01	4,60	1,52	5,67	4,46	1,66	5,50	4,43	1,77
32	24	6,82	4,88	1,30	6,53	4,80	1,41	6,24	4,71	1,53	5,88	4,56	1,66	5,71	4,54	1,78

b) Heating

TC: Total Capacity; PI: Power Input

Indoor		Outdoor temperature (DB, °C)																	
		-20		-15		-10		-7		-2		2		7		12		17	
DB		TC	PI	TC	PI	TC	PI	TC	PI	TC	PI	TC	PI	TC	PI	TC	PI		
°C		kW	kW	kW	kW	kW	kW	kW	kW	kW	kW	kW	kW	kW	kW	kW	kW		
15		2,87	1,35	3,10	1,34	3,33	1,31	3,50	1,29	3,85	1,27	4,13	1,25	5,74	1,46	5,56	1,35	5,34	1,31
18		2,83	1,37	3,05	1,36	3,28	1,33	3,45	1,31	3,79	1,29	4,07	1,27	5,65	1,48	5,48	1,37	5,26	1,33
20		2,79	1,40	3,01	1,38	3,23	1,35	3,40	1,34	3,74	1,31	4,01	1,29	5,57	1,50	5,40	1,40	5,18	1,35
22		2,73	1,41	2,95	1,39	3,17	1,36	3,33	1,35	3,66	1,32	3,93	1,30	5,46	1,52	5,29	1,41	5,08	1,36
24		2,70	1,42	2,92	1,41	3,13	1,38	3,30	1,36	3,63	1,34	3,89	1,32	5,40	1,53	5,24	1,42	5,02	1,38
25		2,67	1,43	2,89	1,41	3,10	1,38	3,26	1,37	3,59	1,34	3,85	1,32	5,35	1,54	5,19	1,43	4,97	1,38
27		2,65	1,44	2,86	1,43	3,07	1,40	3,23	1,38	3,55	1,36	3,81	1,34	5,29	1,55	5,13	1,44	4,92	1,40

1.2 Capacity tables for 24K

a) Cooling

TC: Total Capacity; SHC: Sensible Heat Capacity; PI: Power Input

Indoor		Outdoor temperature (DB, °C)														
		20			25			30			35			40		
DB	WB	TC	SHC	PI	TC	SHC	PI	TC	SHC	PI	TC	SHC	PI	TC	SHC	PI
°C	°C	kW	kW	kW	kW	kW	kW	kW	kW	kW	kW	kW	kW	kW	kW	kW
20	14	7,18	5,60	1,67	6,87	5,50	1,81	6,56	5,38	1,96	6,19	5,20	2,14	6,01	5,16	2,28
22	16	7,56	5,78	1,68	7,23	5,68	1,83	6,91	5,56	1,98	6,52	5,38	2,16	6,32	5,34	2,31
25	18	7,96	5,97	1,70	7,61	5,86	1,85	7,27	5,74	2,00	6,86	5,56	2,18	6,65	5,52	2,33
27	19	8,12	6,01	1,71	7,77	5,91	1,86	7,42	5,79	2,01	7,00	5,60	2,19	6,79	5,57	2,34
30	22	8,69	6,30	1,73	8,31	6,19	1,88	7,94	6,07	2,03	7,49	5,89	2,21	7,27	5,85	2,37
32	24	9,01	6,44	1,73	8,62	6,34	1,89	8,24	6,22	2,05	7,77	6,02	2,22	7,54	5,99	2,38

PART 7. CAPACITY TABLES

b) Heating

TC: Total Capacity; PI: Power Input

Indoor	Outdoor temperature (DB, °C)																		
	-20		-15		-10		-7		-2		2		7		12		17		
DB	TC	PI	TC	PI	TC	PI	TC	PI	TC	PI	TC	PI	TC	PI	TC	PI	TC	PI	
°C	kW	kW	kW	kW	kW	kW	kW	kW	kW	kW	kW	kW	kW	kW	kW	kW	kW	kW	kW
15	4,16	2,21	4,94	2,55	5,53	2,51	5,89	2,49	6,58	2,54	7,14	2,59	7,85	1,99	7,61	1,85	7,30	1,79	
18	4,10	2,24	4,87	2,58	5,45	2,55	5,80	2,52	6,49	2,58	7,04	2,63	7,73	2,02	7,50	1,88	7,19	1,82	
20	4,04	2,28	4,80	2,62	5,37	2,59	5,72	2,56	6,39	2,62	6,93	2,67	7,62	2,05	7,39	1,91	7,09	1,85	
22	3,96	2,30	4,70	2,65	5,26	2,61	5,60	2,59	6,26	2,65	6,80	2,69	7,47	2,07	7,24	1,93	6,94	1,86	
24	3,92	2,32	4,66	2,68	5,21	2,64	5,54	2,61	6,20	2,67	6,73	2,72	7,39	2,09	7,17	1,94	6,87	1,88	
25	3,88	2,33	4,61	2,69	5,16	2,65	5,49	2,63	6,14	2,68	6,66	2,73	7,32	2,10	7,10	1,95	6,80	1,89	
27	3,84	2,36	4,56	2,72	5,10	2,68	5,43	2,65	6,07	2,71	6,59	2,76	7,24	2,12	7,02	1,97	6,73	1,91	

1.3 Capacity tables for 36K

a) Cooling

TC: Total Capacity; SHC: Sensible Heat Capacity; PI: Power Input

Indoor		Outdoor temperature (DB, °C)														
		20			25			30			35			40		
DB	WB	TC	SHC	PI	TC	SHC	PI	TC	SHC	PI	TC	SHC	PI	TC	SHC	PI
°C	°C	kW	kW	kW	kW	kW	kW	kW	kW	kW	kW	kW	kW	kW	kW	kW
20	14	10,77	8,40	3,00	10,31	8,25	3,27	9,84	8,07	3,54	9,29	7,80	3,85	9,01	7,75	4,12
22	16	11,34	8,67	3,03	10,85	8,52	3,31	10,36	8,34	3,58	9,78	8,06	3,89	9,48	8,01	4,16
25	18	11,94	8,95	3,07	11,42	8,79	3,34	10,91	8,62	3,62	10,29	8,33	3,93	9,98	8,28	4,21
27	19	12,18	9,01	3,08	11,66	8,86	3,36	11,13	8,68	3,63	10,50	8,40	3,95	10,19	8,35	4,23
30	22	13,03	9,45	3,11	12,47	9,29	3,39	11,91	9,11	3,67	11,24	8,83	3,99	10,90	8,77	4,27
32	24	13,52	9,67	3,13	12,94	9,51	3,41	12,35	9,33	3,69	11,66	9,03	4,01	11,31	8,99	4,29

b) Heating

TC: Total Capacity; PI: Power Input

Indoor	Outdoor temperature (DB, °C)																		
	-20		-15		-10		-7		-2		2		7		12		17		
DB	TC	PI	TC	PI	TC	PI	TC	PI	TC	PI	TC	PI	TC	PI	TC	PI	TC	PI	
°C	kW	kW	kW	kW	kW	kW	kW	kW	kW	kW	kW	kW	kW	kW	kW	kW	kW	kW	kW
15	6,88	3,87	8,26	3,93	8,49	3,81	9,75	4,02	10,33	3,92	10,79	3,84	11,47	2,91	11,13	2,71	10,67	2,62	
18	6,78	3,93	8,14	3,99	8,37	3,87	9,61	4,08	10,18	3,98	10,63	3,90	11,31	2,96	10,97	2,75	10,52	2,66	
20	6,68	3,99	8,02	4,05	8,24	3,93	9,47	4,14	10,03	4,04	10,47	3,96	11,14	3,00	10,81	2,79	10,36	2,70	
22	6,55	4,03	7,86	4,09	8,08	3,97	9,28	4,18	9,83	4,08	10,26	4,00	10,92	3,03	10,59	2,82	10,15	2,73	
24	6,48	4,07	7,78	4,13	8,00	4,01	9,18	4,22	9,73	4,12	10,16	4,04	10,81	3,06	10,48	2,85	10,05	2,75	
25	6,42	4,09	7,70	4,15	7,91	4,03	9,09	4,24	9,62	4,14	10,05	4,06	10,69	3,08	10,37	2,86	9,95	2,77	
27	6,35	4,13	7,62	4,19	7,83	4,07	9,00	4,28	9,52	4,18	9,95	4,10	10,58	3,11	10,27	2,89	9,84	2,79	

PART 7. CAPACITY TABLES

1.4 Capacity tables for 48K

a) Cooling

TC: Total Capacity; SHC: Sensible Heat Capacity; PI: Power Input

Indoor		Outdoor temperature (DB, °C)														
		20			25			30			35			40		
DB	WB	TC	SHC	PI	TC	SHC	PI	TC	SHC	PI	TC	SHC	PI	TC	SHC	PI
°C	°C	kW	kW	kW	kW	kW	kW	kW	kW	kW	kW	kW	kW	kW	kW	kW
20	14	14,36	11,20	3,90	13,74	11,00	4,25	13,13	10,76	4,60	12,38	10,40	5,00	12,01	10,33	5,35
22	16	15,12	11,57	3,94	14,47	11,36	4,30	13,82	11,12	4,65	13,03	10,75	5,05	12,64	10,68	5,41
25	18	15,92	11,94	3,98	15,23	11,73	4,34	14,54	11,49	4,70	13,72	11,11	5,10	13,31	11,05	5,46
27	19	16,24	12,02	4,00	15,54	11,81	4,36	14,84	11,58	4,72	14,00	11,20	5,13	13,58	11,14	5,49
30	22	17,38	12,60	4,04	16,63	12,39	4,40	15,88	12,15	4,77	14,98	11,77	5,18	14,53	11,70	5,54
32	24	18,03	12,89	4,06	17,25	12,68	4,43	16,47	12,44	4,79	15,54	12,04	5,21	15,07	11,98	5,57

b) Heating

TC: Total Capacity; PI: Power Input

Indoor		Outdoor temperature (DB, °C)																	
		-20		-15		-10		-7		-2		2		7		12		17	
DB		TC	PI	TC	PI	TC	PI	TC	PI	TC	PI	TC	PI	TC	PI	TC	PI		
°C		kW	kW	kW	kW	kW	kW	kW	kW	kW	kW	kW	kW	kW	kW	kW	kW		
15		7,46	4,36	9,29	4,85	10,84	5,09	11,77	5,24	12,60	5,32	13,27	5,39	16,58	4,90	16,09	4,56	15,42	4,41
18		7,35	4,43	9,15	4,92	10,68	5,17	11,60	5,32	12,42	5,41	13,07	5,47	16,34	4,97	15,85	4,63	15,20	4,48
20		7,25	4,49	9,02	5,00	10,53	5,25	11,43	5,40	12,24	5,49	12,88	5,56	16,10	5,05	15,62	4,70	14,97	4,55
22		7,10	4,54	8,84	5,05	10,31	5,30	11,20	5,46	11,99	5,54	12,62	5,61	15,78	5,10	15,30	4,74	14,67	4,59
24		7,03	4,58	8,75	5,10	10,21	5,36	11,09	5,51	11,87	5,60	12,49	5,67	15,62	5,15	15,15	4,79	14,52	4,64
25		6,96	4,61	8,66	5,12	10,10	5,38	10,97	5,54	11,75	5,62	12,36	5,69	15,46	5,18	14,99	4,81	14,37	4,66
27		6,88	4,65	8,57	5,17	10,00	5,44	10,86	5,59	11,62	5,68	12,24	5,75	15,30	5,23	14,84	4,86	14,22	4,70

1.5 Capacity tables for 55K

a) Cooling

TC: Total Capacity; SHC: Sensible Heat Capacity; PI: Power Input

Indoor		Outdoor temperature (DB, °C)														
		20			25			30			35			40		
DB	WB	TC	SHC	PI	TC	SHC	PI	TC	SHC	PI	TC	SHC	PI	TC	SHC	PI
°C	°C	kW	kW	kW	kW	kW	kW	kW	kW	kW	kW	kW	kW	kW	kW	kW
20	14	16,11	12,56	4,52	15,41	12,33	4,93	14,72	12,07	5,34	13,89	11,66	5,80	13,47	11,58	6,21
22	16	16,96	12,97	4,57	16,22	12,74	4,98	15,49	12,47	5,39	14,62	12,06	5,86	14,18	11,98	6,27
25	18	17,85	13,39	4,62	17,08	13,15	5,03	16,31	12,88	5,45	15,39	12,46	5,92	14,92	12,39	6,33
27	19	18,21	13,48	4,64	17,43	13,24	5,06	16,64	12,98	5,47	15,70	12,56	5,95	15,23	12,49	6,37
30	22	19,49	14,13	4,69	18,65	13,89	5,11	17,81	13,62	5,53	16,80	13,20	6,01	16,30	13,12	6,43
32	24	20,22	14,45	4,71	19,34	14,22	5,13	18,47	13,95	5,56	17,43	13,51	6,04	16,90	13,44	6,46

PART 7. CAPACITY TABLES

b) Heating

TC: Total Capacity; PI: Power Input

Indoor	Outdoor temperature (DB, °C)																		
	-20		-15		-10		-7		-2		2		7		12		17		
DB	TC	PI	TC	PI	TC	PI	TC	PI	TC	PI	TC	PI	TC	PI	TC	PI	TC	PI	
°C	kW	kW	kW	kW	kW	kW	kW	kW	kW	kW	kW	kW	kW	kW	kW	kW	kW	kW	kW
15	9,56	4,83	10,97	5,09	13,31	5,50	13,50	5,62	14,62	6,03	16,12	5,80	18,75	5,85	18,18	5,45	17,43	5,27	
18	9,42	4,91	10,81	5,17	13,12	5,59	13,30	5,71	14,41	6,12	15,89	5,89	18,47	5,95	17,92	5,53	17,18	5,35	
20	9,28	4,98	10,65	5,25	12,92	5,67	13,10	5,79	14,20	6,22	15,65	5,98	18,20	6,04	17,65	5,61	16,93	5,43	
22	9,10	5,03	10,43	5,30	12,66	5,73	12,84	5,85	13,91	6,28	15,34	6,04	17,84	6,10	17,30	5,67	16,59	5,49	
24	9,00	5,08	10,33	5,36	12,53	5,79	12,71	5,91	13,77	6,34	15,18	6,10	17,65	6,16	17,12	5,73	16,42	5,54	
25	8,91	5,10	10,22	5,38	12,41	5,82	12,58	5,94	13,63	6,37	15,03	6,13	17,47	6,19	16,95	5,75	16,25	5,57	
27	8,82	5,15	10,11	5,44	12,28	5,87	12,45	6,00	13,49	6,43	14,87	6,18	17,29	6,25	16,77	5,81	16,08	5,62	

2.NEVO - DUCT

2.1 Capacity tables for 18K

a) Cooling

TC: Total Capacity; SHC: Sensible Heat Capacity; PI: Power Input

Indoor		Outdoor temperature (DB, °C)														
		20			25			30			35			40		
DB	WB	TC	SHC	PI	TC	SHC	PI	TC	SHC	PI	TC	SHC	PI	TC	SHC	PI
°C	°C	kW	kW	kW	kW	kW	kW	kW	kW	kW	kW	kW	kW	kW	kW	kW
20	14	5,44	4,24	1,25	5,20	4,16	1,36	4,97	4,07	1,47	4,69	3,94	1,60	4,55	3,91	1,71
22	16	5,72	4,38	1,26	5,48	4,30	1,37	5,23	4,21	1,49	4,93	4,07	1,62	4,79	4,04	1,73
25	18	6,03	4,52	1,27	5,77	4,44	1,39	5,51	4,35	1,50	5,19	4,21	1,63	5,04	4,18	1,75
27	19	6,15	4,55	1,28	5,88	4,47	1,39	5,62	4,38	1,51	5,30	4,24	1,64	5,14	4,22	1,75
30	22	6,58	4,77	1,29	6,29	4,69	1,41	6,01	4,60	1,52	5,67	4,46	1,66	5,50	4,43	1,77
32	24	6,82	4,88	1,30	6,53	4,80	1,41	6,24	4,71	1,53	5,88	4,56	1,66	5,71	4,54	1,78

b) Heating

TC: Total Capacity; PI: Power Input

Indoor	Outdoor temperature (DB, °C)																		
	-20		-15		-10		-7		-2		2		7		12		17		
DB	TC	PI	TC	PI	TC	PI	TC	PI	TC	PI	TC	PI	TC	PI	TC	PI	TC	PI	
°C	kW	kW	kW	kW	kW	kW	kW	kW	kW	kW	kW	kW	kW	kW	kW	kW	kW	kW	kW
15	2,98	1,44	3,50	1,43	3,67	1,40	3,90	1,37	4,11	1,34	4,27	1,31	5,74	1,46	5,56	1,35	5,34	1,31	
18	2,94	1,46	3,45	1,45	3,62	1,42	3,84	1,40	4,05	1,36	4,21	1,33	5,65	1,48	5,48	1,37	5,26	1,33	
20	2,90	1,49	3,40	1,47	3,56	1,44	3,79	1,42	3,99	1,38	4,15	1,35	5,57	1,50	5,40	1,40	5,18	1,35	
22	2,84	1,50	3,33	1,48	3,49	1,45	3,71	1,43	3,91	1,39	4,07	1,36	5,46	1,52	5,29	1,41	5,08	1,36	
24	2,81	1,51	3,30	1,50	3,46	1,47	3,67	1,45	3,87	1,41	4,03	1,38	5,40	1,53	5,24	1,42	5,02	1,38	
25	2,78	1,52	3,26	1,51	3,42	1,48	3,64	1,45	3,83	1,41	3,98	1,38	5,35	1,54	5,19	1,43	4,97	1,38	
27	2,75	1,54	3,23	1,52	3,39	1,49	3,60	1,47	3,79	1,43	3,94	1,40	5,29	1,55	5,13	1,44	4,92	1,40	

PART 7. CAPACITY TABLES

2.2 Capacity tables for 24K

a) Cooling

TC: Total Capacity; SHC: Sensible Heat Capacity; PI: Power Input

Indoor		Outdoor temperature (DB, °C)														
		20			25			30			35			40		
DB	WB	TC	SHC	PI	TC	SHC	PI	TC	SHC	PI	TC	SHC	PI	TC	SHC	PI
°C	°C	kW	kW	kW	kW	kW	kW	kW	kW	kW	kW	kW	kW	kW	kW	kW
20	14	7,18	5,60	1,67	6,87	5,50	1,81	6,56	5,38	1,96	6,19	5,20	2,14	6,01	5,16	2,28
22	16	7,56	5,78	1,68	7,23	5,68	1,83	6,91	5,56	1,98	6,52	5,38	2,16	6,32	5,34	2,31
25	18	7,96	5,97	1,70	7,61	5,86	1,85	7,27	5,74	2,00	6,86	5,56	2,18	6,65	5,52	2,33
27	19	8,12	6,01	1,71	7,77	5,91	1,86	7,42	5,79	2,01	7,00	5,60	2,19	6,79	5,57	2,34
30	22	8,69	6,30	1,73	8,31	6,19	1,88	7,94	6,07	2,03	7,49	5,89	2,21	7,27	5,85	2,37
32	24	9,01	6,44	1,73	8,62	6,34	1,89	8,24	6,22	2,05	7,77	6,02	2,22	7,54	5,99	2,38

b) Heating

TC: Total Capacity; PI: Power Input

Indoor		Outdoor temperature (DB, °C)																	
		-20		-15		-10		-7		-2		2		7		12		17	
DB		TC	PI	TC	PI	TC	PI	TC	PI	TC	PI	TC	PI	TC	PI	TC	PI		
°C		kW	kW	kW	kW	kW	kW	kW	kW	kW	kW	kW	kW	kW	kW	kW	kW		
15		4,24	2,31	5,02	2,62	5,73	2,56	6,16	2,53	6,75	2,51	7,22	2,51	7,85	1,99	7,61	1,85	7,30	1,79
18		4,18	2,34	4,95	2,67	5,65	2,60	6,07	2,56	6,65	2,55	7,12	2,54	7,73	2,02	7,50	1,88	7,19	1,82
20		4,11	2,38	4,88	2,71	5,57	2,64	5,98	2,60	6,55	2,59	7,01	2,58	7,62	2,05	7,39	1,91	7,09	1,85
22		4,03	2,40	4,78	2,73	5,46	2,67	5,86	2,63	6,42	2,62	6,87	2,61	7,47	2,07	7,24	1,93	6,94	1,86
24		3,99	2,43	4,73	2,76	5,40	2,69	5,80	2,66	6,36	2,64	6,80	2,63	7,39	2,09	7,17	1,94	6,87	1,88
25		3,95	2,44	4,68	2,77	5,34	2,71	5,74	2,67	6,29	2,66	6,73	2,65	7,32	2,10	7,10	1,95	6,80	1,89
27		3,91	2,46	4,63	2,80	5,29	2,73	5,68	2,69	6,23	2,68	6,66	2,67	7,24	2,12	7,02	1,97	6,73	1,91

2.3 Capacity tables for 36K

a) Cooling

TC: Total Capacity; SHC: Sensible Heat Capacity; PI: Power Input

Indoor		Outdoor temperature (DB, °C)														
		20			25			30			35			40		
DB	WB	TC	SHC	PI	TC	SHC	PI	TC	SHC	PI	TC	SHC	PI	TC	SHC	PI
°C	°C	kW	kW	kW	kW	kW	kW	kW	kW	kW	kW	kW	kW	kW	kW	kW
20	14	10,77	8,40	3,00	10,31	8,25	3,27	9,84	8,07	3,54	9,29	7,80	3,85	9,01	7,75	4,12
22	16	11,34	8,67	3,03	10,85	8,52	3,31	10,36	8,34	3,58	9,78	8,06	3,89	9,48	8,01	4,16
25	18	11,94	8,95	3,07	11,42	8,79	3,34	10,91	8,62	3,62	10,29	8,33	3,93	9,98	8,28	4,21
27	19	12,18	9,01	3,08	11,66	8,86	3,36	11,13	8,68	3,63	10,50	8,40	3,95	10,19	8,35	4,23
30	22	13,03	9,45	3,11	12,47	9,29	3,39	11,91	9,11	3,67	11,24	8,83	3,99	10,90	8,77	4,27
32	24	13,52	9,67	3,13	12,94	9,51	3,41	12,35	9,33	3,69	11,66	9,03	4,01	11,31	8,99	4,29

PART 7. CAPACITY TABLES

b) Heating

TC: Total Capacity; PI: Power Input

Indoor		Outdoor temperature (DB, °C)																	
		-20		-15		-10		-7		-2		2		7		12		17	
DB		TC	PI	TC	PI	TC	PI	TC	PI	TC	PI	TC	PI	TC	PI	TC	PI	TC	PI
°C		kW	kW	kW	kW	kW	kW	kW	kW	kW	kW	kW	kW	kW	kW	kW	kW	kW	kW
15		6,71	3,90	8,15	4,07	8,97	4,04	9,47	4,02	9,94	3,90	10,33	3,81	11,47	2,91	11,13	2,71	10,67	2,62
18		6,61	3,96	8,03	4,14	8,84	4,10	9,33	4,08	9,80	3,96	10,18	3,87	11,31	2,96	10,97	2,75	10,52	2,66
20		6,52	4,02	7,91	4,20	8,71	4,16	9,19	4,14	9,65	4,02	10,03	3,93	11,14	3,00	10,81	2,79	10,36	2,70
22		6,39	4,06	7,75	4,24	8,54	4,20	9,01	4,18	9,46	4,06	9,83	3,97	10,92	3,03	10,59	2,82	10,15	2,73
24		6,32	4,10	7,67	4,28	8,45	4,25	8,91	4,22	9,37	4,10	9,73	4,01	10,81	3,06	10,48	2,85	10,05	2,75
25		6,26	4,12	7,59	4,31	8,36	4,27	8,82	4,24	9,27	4,12	9,62	4,03	10,69	3,08	10,37	2,86	9,95	2,77
27		6,19	4,16	7,51	4,35	8,27	4,31	8,73	4,28	9,17	4,16	9,52	4,07	10,58	3,11	10,27	2,89	9,84	2,79

2.4 Capacity tables for 48K

a) Cooling

TC: Total Capacity; SHC: Sensible Heat Capacity; PI: Power Input

Indoor		Outdoor temperature (DB, °C)														
		20			25			30			35			40		
DB	WB	TC	SHC	PI	TC	SHC	PI	TC	SHC	PI	TC	SHC	PI	TC	SHC	PI
°C	°C	kW	kW	kW	kW	kW	kW	kW	kW	kW	kW	kW	kW	kW	kW	kW
20	14	14,36	11,20	3,92	13,74	11,00	4,27	13,13	10,76	4,62	12,38	10,40	5,02	12,01	10,33	5,37
22	16	15,12	11,57	3,96	14,47	11,36	4,31	13,82	11,12	4,67	13,03	10,75	5,07	12,64	10,68	5,43
25	18	15,92	11,94	4,00	15,23	11,73	4,36	14,54	11,49	4,71	13,72	11,11	5,12	13,31	11,05	5,48
27	19	16,24	12,02	4,02	15,54	11,81	4,38	14,84	11,58	4,74	14,00	11,20	5,15	13,58	11,14	5,51
30	22	17,38	12,60	4,06	16,63	12,39	4,42	15,88	12,15	4,79	14,98	11,77	5,20	14,53	11,70	5,57
32	24	18,03	12,89	4,08	17,25	12,68	4,44	16,47	12,44	4,81	15,54	12,04	5,23	15,07	11,98	5,59

b) Heating

TC: Total Capacity; PI: Power Input

Indoor		Outdoor temperature (DB, °C)																	
		-20		-15		-10		-7		-2		2		7		12		17	
DB		TC	PI	TC	PI	TC	PI	TC	PI	TC	PI	TC	PI	TC	PI	TC	PI		
°C		kW	kW	kW	kW	kW	kW	kW	kW	kW	kW	kW	kW	kW	kW	kW	kW		
15		8,54	4,82	9,87	5,06	11,58	5,17	12,60	5,23	13,71	5,35	14,59	5,44	16,58	4,15	16,09	3,86	15,42	3,74
18		8,42	4,89	9,72	5,14	11,41	5,25	12,42	5,31	13,51	5,43	14,38	5,52	16,34	4,22	15,85	3,92	15,20	3,79
20		8,29	4,96	9,58	5,22	11,24	5,33	12,24	5,39	13,31	5,51	14,17	5,61	16,10	4,28	15,62	3,98	14,97	3,85
22		8,13	5,01	9,39	5,27	11,02	5,38	11,99	5,45	13,04	5,57	13,88	5,66	15,78	4,32	15,30	4,02	14,67	3,89
24		8,04	5,06	9,29	5,33	10,90	5,44	11,87	5,50	12,91	5,62	13,74	5,72	15,62	4,37	15,15	4,06	14,52	3,93
25		7,96	5,09	9,20	5,35	10,79	5,46	11,75	5,53	12,78	5,65	13,60	5,75	15,46	4,39	14,99	4,08	14,37	3,95
27		7,88	5,14	9,10	5,40	10,68	5,52	11,62	5,58	12,64	5,70	13,46	5,80	15,30	4,43	14,84	4,12	14,22	3,99

PART 7. CAPACITY TABLES

2.5 Capacity tables for 55K

a) Cooling

TC: Total Capacity; SHC: Sensible Heat Capacity; PI: Power Input

Indoor		Outdoor temperature (DB, °C)														
		20			25			30			35			40		
DB	WB	TC	SHC	PI	TC	SHC	PI	TC	SHC	PI	TC	SHC	PI	TC	SHC	PI
°C	°C	kW	kW	kW	kW	kW	kW	kW	kW	kW	kW	kW	kW	kW	kW	kW
20	14	15,80	12,32	4,12	15,12	12,10	4,49	14,44	11,84	4,86	13,62	11,44	5,28	13,21	11,36	5,65
22	16	16,63	12,72	4,16	15,91	12,49	4,54	15,20	12,23	4,91	14,34	11,83	5,34	13,91	11,75	5,71
25	18	17,51	13,13	4,21	16,75	12,90	4,58	16,00	12,64	4,96	15,09	12,22	5,39	14,64	12,15	5,77
27	19	17,86	13,22	4,23	17,09	12,99	4,61	16,32	12,73	4,99	15,40	12,32	5,42	14,94	12,25	5,80
30	22	19,11	13,86	4,27	18,29	13,63	4,65	17,47	13,36	5,04	16,48	12,95	5,47	15,98	12,87	5,86
32	24	19,83	14,18	4,29	18,97	13,95	4,68	18,12	13,68	5,06	17,09	13,25	5,50	16,58	13,18	5,89

b) Heating

TC: Total Capacity; PI: Power Input

Indoor		Outdoor temperature (DB, °C)																	
		-20		-15		-10		-7		-2		2		7		12		17	
DB		TC	PI	TC	PI	TC	PI	TC	PI	TC	PI	TC	PI	TC	PI	TC	PI	TC	PI
°C		kW	kW	kW	kW	kW	kW	kW	kW	kW	kW	kW	kW	kW	kW	kW	kW	kW	kW
15		9,37	4,86	11,25	5,12	13,68	5,64	14,06	5,38	15,15	5,61	16,03	5,79	18,75	5,17	18,18	4,81	17,43	4,65
18		9,24	4,94	11,08	5,20	13,49	5,72	13,85	5,46	14,93	5,69	15,79	5,88	18,47	5,25	17,92	4,88	17,18	4,73
20		9,10	5,01	10,92	5,28	13,29	5,81	13,65	5,54	14,71	5,78	15,56	5,97	18,20	5,33	17,65	4,96	16,93	4,80
22		8,92	5,06	10,70	5,33	13,02	5,87	13,38	5,60	14,42	5,84	15,25	6,03	17,84	5,38	17,30	5,01	16,59	4,84
24		8,83	5,11	10,59	5,38	12,89	5,93	13,24	5,65	14,27	5,90	15,09	6,09	17,65	5,44	17,12	5,06	16,42	4,89
25		8,74	5,14	10,48	5,41	12,75	5,95	13,10	5,68	14,12	5,92	14,94	6,12	17,47	5,46	16,95	5,08	16,25	4,92
27		8,65	5,19	10,37	5,46	12,62	6,01	12,97	5,74	13,98	5,98	14,78	6,18	17,29	5,52	16,77	5,13	16,08	4,96

3. JATO - CEILING-FLOOR

3.1 Capacity tables for 18K

a) Cooling

TC: Total Capacity; SHC: Sensible Heat Capacity; PI: Power Input

Indoor		Outdoor temperature (DB, °C)														
		20			25			30			35			40		
DB	WB	TC	SHC	PI	TC	SHC	PI	TC	SHC	PI	TC	SHC	PI	TC	SHC	PI
°C	°C	kW	kW	kW	kW	kW	kW	kW	kW	kW	kW	kW	kW	kW	kW	kW
20	14	5,44	4,24	1,25	5,20	4,16	1,36	4,97	4,07	1,47	4,69	3,94	1,60	4,55	3,91	1,71
22	16	5,72	4,38	1,26	5,48	4,30	1,37	5,23	4,21	1,49	4,93	4,07	1,62	4,79	4,04	1,73
25	18	6,03	4,52	1,27	5,77	4,44	1,39	5,51	4,35	1,50	5,19	4,21	1,63	5,04	4,18	1,75
27	19	6,15	4,55	1,28	5,88	4,47	1,39	5,62	4,38	1,51	5,30	4,24	1,64	5,14	4,22	1,75
30	22	6,58	4,77	1,29	6,29	4,69	1,41	6,01	4,60	1,52	5,67	4,46	1,66	5,50	4,43	1,77
32	24	6,82	4,88	1,30	6,53	4,80	1,41	6,24	4,71	1,53	5,88	4,56	1,66	5,71	4,54	1,78

PART 7. CAPACITY TABLES

b) Heating

TC: Total Capacity; PI: Power Input

Indoor	Outdoor temperature (DB, °C)																		
	-20		-15		-10		-7		-2		2		7		12		17		
DB	TC	PI	TC	PI	TC	PI	TC	PI	TC	PI	TC	PI	TC	PI	TC	PI	TC	PI	
°C	kW	kW	kW	kW	kW	kW	kW	kW	kW	kW	kW	kW	kW	kW	kW	kW	kW	kW	kW
15	2,64	1,34	3,38	1,47	3,53	1,49	3,61	1,47	3,84	1,40	4,02	1,35	5,74	1,46	5,56	1,35	5,34	1,31	
18	2,60	1,36	3,34	1,49	3,48	1,51	3,56	1,49	3,78	1,43	3,96	1,37	5,65	1,48	5,48	1,37	5,26	1,33	
20	2,56	1,38	3,29	1,52	3,43	1,54	3,51	1,52	3,73	1,45	3,90	1,40	5,57	1,50	5,40	1,40	5,18	1,35	
22	2,51	1,39	3,22	1,53	3,36	1,55	3,44	1,53	3,65	1,46	3,82	1,41	5,46	1,52	5,29	1,41	5,08	1,36	
24	2,49	1,41	3,19	1,55	3,32	1,57	3,40	1,55	3,61	1,48	3,78	1,42	5,40	1,53	5,24	1,42	5,02	1,38	
25	2,46	1,41	3,15	1,55	3,29	1,58	3,37	1,55	3,58	1,48	3,74	1,43	5,35	1,54	5,19	1,43	4,97	1,38	
27	2,43	1,43	3,12	1,57	3,25	1,59	3,33	1,57	3,54	1,50	3,70	1,44	5,29	1,55	5,13	1,44	4,92	1,40	

3.2 Capacity tables for 24K

a) Cooling

TC: Total Capacity; SHC: Sensible Heat Capacity; PI: Power Input

Indoor		Outdoor temperature (DB, °C)														
		20			25			30			35			40		
DB	WB	TC	SHC	PI	TC	SHC	PI	TC	SHC	PI	TC	SHC	PI	TC	SHC	PI
°C	°C	kW	kW	kW	kW	kW	kW	kW	kW	kW	kW	kW	kW	kW	kW	kW
20	14	7,18	5,60	1,67	6,87	5,50	1,81	6,56	5,38	1,96	6,19	5,20	2,14	6,01	5,16	2,28
22	16	7,56	5,78	1,68	7,23	5,68	1,83	6,91	5,56	1,98	6,52	5,38	2,16	6,32	5,34	2,31
25	18	7,96	5,97	1,70	7,61	5,86	1,85	7,27	5,74	2,00	6,86	5,56	2,18	6,65	5,52	2,33
27	19	8,12	6,01	1,71	7,77	5,91	1,86	7,42	5,79	2,01	7,00	5,60	2,19	6,79	5,57	2,34
30	22	8,69	6,30	1,73	8,31	6,19	1,88	7,94	6,07	2,03	7,49	5,89	2,21	7,27	5,85	2,37
32	24	9,01	6,44	1,73	8,62	6,34	1,89	8,24	6,22	2,05	7,77	6,02	2,22	7,54	5,99	2,38

b) Heating

TC: Total Capacity; PI: Power Input

Indoor	Outdoor temperature (DB, °C)																	
	-20		-15		-10		-7		-2		2		7		12		17	
DB	TC	PI	TC	PI	TC	PI	TC	PI	TC	PI	TC	PI	TC	PI	TC	PI	TC	PI
°C	kW	kW	kW	kW	kW	kW	kW	kW	kW	kW	kW	kW	kW	kW	kW	kW	kW	kW
15	4,04	2,37	4,91	2,57	5,54	2,60	5,93	2,62	6,25	2,56	6,51	2,51	7,85	1,99	7,61	1,85	7,30	1,79
18	3,98	2,40	4,83	2,60	5,46	2,64	5,84	2,67	6,16	2,60	6,42	2,54	7,73	2,02	7,50	1,88	7,19	1,82
20	3,92	2,44	4,76	2,64	5,38	2,68	5,75	2,71	6,07	2,64	6,32	2,58	7,62	2,05	7,39	1,91	7,09	1,85
22	3,85	2,46	4,67	2,67	5,27	2,71	5,64	2,73	5,95	2,66	6,20	2,61	7,47	2,07	7,24	1,93	6,94	1,86
24	3,81	2,49	4,62	2,70	5,22	2,74	5,58	2,76	5,89	2,69	6,13	2,63	7,39	2,09	7,17	1,94	6,87	1,88
25	3,77	2,50	4,57	2,71	5,17	2,75	5,52	2,77	5,83	2,70	6,07	2,65	7,32	2,10	7,10	1,95	6,80	1,89
27	3,73	2,52	4,52	2,74	5,11	2,78	5,47	2,80	5,77	2,73	6,01	2,67	7,24	2,12	7,02	1,97	6,73	1,91

PART 7. CAPACITY TABLES

3.3 Capacity tables for 36K

a) Cooling

TC: Total Capacity; SHC: Sensible Heat Capacity; PI: Power Input

Indoor		Outdoor temperature (DB, °C)														
		20			25			30			35			40		
DB	WB	TC	SHC	PI	TC	SHC	PI	TC	SHC	PI	TC	SHC	PI	TC	SHC	PI
°C	°C	kW	kW	kW	kW	kW	kW	kW	kW	kW	kW	kW	kW	kW	kW	kW
20	14	10,77	8,40	3,00	10,31	8,25	3,27	9,84	8,07	3,54	9,29	7,80	3,85	9,01	7,75	4,12
22	16	11,34	8,67	3,03	10,85	8,52	3,31	10,36	8,34	3,58	9,78	8,06	3,89	9,48	8,01	4,16
25	18	11,94	8,95	3,07	11,42	8,79	3,34	10,91	8,62	3,62	10,29	8,33	3,93	9,98	8,28	4,21
27	19	12,18	9,01	3,08	11,66	8,86	3,36	11,13	8,68	3,63	10,50	8,40	3,95	10,19	8,35	4,23
30	22	13,03	9,45	3,11	12,47	9,29	3,39	11,91	9,11	3,67	11,24	8,83	3,99	10,90	8,77	4,27
32	24	13,52	9,67	3,13	12,94	9,51	3,41	12,35	9,33	3,69	11,66	9,03	4,01	11,31	8,99	4,29

b) Heating

TC: Total Capacity; PI: Power Input

Indoor		Outdoor temperature (DB, °C)																	
		-20		-15		-10		-7		-2		2		7		12		17	
DB		TC	PI	TC	PI	TC	PI	TC	PI	TC	PI	TC	PI	TC	PI	TC	PI		
°C		kW	kW	kW	kW	kW	kW	kW	kW	kW	kW	kW	kW	kW	kW	kW	kW		
15		7,11	3,90	8,15	4,07	9,08	4,11	9,64	4,13	10,12	4,00	10,50	3,90	11,47	2,91	11,13	2,71	10,67	2,62
18		7,01	3,96	8,03	4,14	8,95	4,17	9,50	4,20	9,97	4,06	10,35	3,96	11,31	2,96	10,97	2,75	10,52	2,66
20		6,91	4,02	7,91	4,20	8,81	4,24	9,36	4,26	9,82	4,13	10,19	4,02	11,14	3,00	10,81	2,79	10,36	2,70
22		6,77	4,06	7,75	4,24	8,64	4,28	9,17	4,30	9,63	4,17	9,99	4,06	10,92	3,03	10,59	2,82	10,15	2,73
24		6,70	4,10	7,67	4,28	8,55	4,32	9,08	4,35	9,53	4,21	9,89	4,10	10,81	3,06	10,48	2,85	10,05	2,75
25		6,63	4,12	7,59	4,31	8,46	4,34	8,98	4,37	9,43	4,23	9,79	4,12	10,69	3,08	10,37	2,86	9,95	2,77
27		6,56	4,16	7,51	4,35	8,37	4,39	8,89	4,41	9,33	4,27	9,68	4,16	10,58	3,11	10,27	2,89	9,84	2,79

3.4 Capacity tables for 48K

a) Cooling

TC: Total Capacity; SHC: Sensible Heat Capacity; PI: Power Input

Indoor		Outdoor temperature (DB, °C)														
		20			25			30			35			40		
DB	WB	TC	SHC	PI	TC	SHC	PI	TC	SHC	PI	TC	SHC	PI	TC	SHC	PI
°C	°C	kW	kW	kW	kW	kW	kW	kW	kW	kW	kW	kW	kW	kW	kW	kW
20	14	14,57	11,36	4,18	13,94	11,15	4,56	13,31	10,92	4,93	12,56	10,55	5,36	12,18	10,48	5,74
22	16	15,34	11,73	4,23	14,67	11,52	4,60	14,01	11,28	4,98	13,22	10,91	5,42	12,82	10,84	5,80
25	18	16,14	12,11	4,27	15,45	11,89	4,65	14,75	11,65	5,03	13,92	11,27	5,47	13,50	11,20	5,86
27	19	16,47	12,19	4,29	15,76	11,98	4,68	15,05	11,74	5,06	14,20	11,36	5,50	13,77	11,29	5,89
30	22	17,63	12,78	4,33	16,87	12,56	4,72	16,11	12,32	5,11	15,19	11,94	5,56	14,74	11,86	5,94
32	24	18,28	13,07	4,35	17,50	12,86	4,75	16,71	12,61	5,14	15,76	12,22	5,58	15,29	12,15	5,97

PART 7. CAPACITY TABLES

b) Heating

TC: Total Capacity; PI: Power Input

Indoor	Outdoor temperature (DB, °C)																		
	-20		-15		-10		-7		-2		2		7		12		17		
DB	TC	PI	TC	PI	TC	PI	TC	PI	TC	PI	TC	PI	TC	PI	TC	PI	TC	PI	
°C	kW	kW	kW	kW	kW	kW	kW	kW	kW	kW	kW	kW	kW	kW	kW	kW	kW	kW	kW
15	8,46	4,80	9,70	5,00	11,10	5,09	11,94	5,14	13,46	5,36	14,68	5,54	16,58	4,90	16,09	4,56	15,42	4,41	
18	8,33	4,87	9,56	5,07	10,94	5,17	11,77	5,22	13,26	5,44	14,46	5,62	16,34	4,97	15,85	4,63	15,20	4,48	
20	8,21	4,95	9,42	5,15	10,78	5,25	11,59	5,30	13,07	5,53	14,25	5,71	16,10	5,05	15,62	4,70	14,97	4,55	
22	8,05	5,00	9,23	5,20	10,56	5,30	11,36	5,36	12,81	5,58	13,96	5,76	15,78	5,10	15,30	4,74	14,67	4,59	
24	7,96	5,05	9,14	5,25	10,45	5,35	11,24	5,41	12,68	5,64	13,82	5,82	15,62	5,15	15,15	4,79	14,52	4,64	
25	7,88	5,07	9,04	5,28	10,35	5,38	11,13	5,44	12,55	5,67	13,68	5,85	15,46	5,18	14,99	4,81	14,37	4,66	
27	7,80	5,12	8,95	5,33	10,24	5,43	11,01	5,49	12,41	5,72	13,54	5,91	15,30	5,23	14,84	4,86	14,22	4,70	

2.5 Capacity tables for 55K

a) Cooling

TC: Total Capacity; SHC: Sensible Heat Capacity; PI: Power Input

Indoor		Outdoor temperature (DB, °C)														
		20			25			30			35			40		
DB	WB	TC	SHC	PI	TC	SHC	PI	TC	SHC	PI	TC	SHC	PI	TC	SHC	PI
°C	°C	kW	kW	kW	kW	kW	kW	kW	kW	kW	kW	kW	kW	kW	kW	kW
20	14	16,31	12,72	4,61	15,61	12,49	5,02	14,91	12,22	5,44	14,06	11,81	5,91	13,64	11,73	6,32
22	16	17,17	13,14	4,66	16,43	12,90	5,07	15,69	12,63	5,49	14,80	12,21	5,97	14,36	12,13	6,39
25	18	18,08	13,56	4,70	17,30	13,32	5,13	16,52	13,05	5,55	15,58	12,62	6,03	15,11	12,55	6,45
27	19	18,44	13,65	4,73	17,65	13,41	5,15	16,85	13,15	5,58	15,90	12,72	6,06	15,42	12,65	6,48
30	22	19,74	14,31	4,77	18,88	14,07	5,20	18,03	13,80	5,63	17,01	13,37	6,12	16,50	13,28	6,55
32	24	20,47	14,64	4,80	19,59	14,40	5,23	18,71	14,12	5,66	17,65	13,68	6,15	17,12	13,61	6,58

b) Heating

TC: Total Capacity; PI: Power Input

Indoor	Outdoor temperature (DB, °C)																		
	-20		-15		-10		-7		-2		2		7		12		17		
DB	TC	PI	TC	PI	TC	PI	TC	PI	TC	PI	TC	PI	TC	PI	TC	PI	TC	PI	
°C	kW	kW	kW	kW	kW	kW	kW	kW	kW	kW	kW	kW	kW	kW	kW	kW	kW	kW	kW
15	9,47	4,89	11,06	5,15	13,50	5,50	13,59	5,53	14,94	5,68	16,03	5,80	18,75	5,85	18,18	5,45	17,43	5,27	
18	9,33	4,96	10,90	5,23	13,30	5,59	13,39	5,62	14,73	5,77	15,79	5,89	18,47	5,95	17,92	5,53	17,18	5,35	
20	9,19	5,04	10,74	5,31	13,10	5,67	13,20	5,70	14,51	5,85	15,56	5,98	18,20	6,04	17,65	5,61	16,93	5,43	
22	9,01	5,09	10,52	5,36	12,84	5,73	12,93	5,76	14,22	5,91	15,25	6,04	17,84	6,10	17,30	5,67	16,59	5,49	
24	8,92	5,14	10,42	5,42	12,71	5,79	12,80	5,82	14,07	5,97	15,09	6,10	17,65	6,16	17,12	5,73	16,42	5,54	
25	8,82	5,17	10,31	5,44	12,58	5,82	12,67	5,85	13,93	6,00	14,94	6,13	17,47	6,19	16,95	5,75	16,25	5,57	
27	8,73	5,22	10,20	5,50	12,45	5,87	12,54	5,90	13,78	6,06	14,78	6,18	17,29	6,25	16,77	5,81	16,08	5,62	

PART 8. APPENDIX

1. TEMPERATURE SENSOR RESISTANCE VALUE TABLE (°C - K)

°C	K Ohm	°C	K Ohm	°C	K Ohm	°C	K Ohm
-20	115.266	20	12.6431	60	2.35774	100	0.62973
-19	108.146	21	12.0561	61	2.27249	101	0.61148
-18	101.517	22	11.5000	62	2.19073	102	0.59386
-17	96.3423	23	10.9731	63	2.11241	103	0.57683
-16	89.5865	24	10.4736	64	2.03732	104	0.56038
-15	84.2190	25	10.0000	65	1.96532	105	0.54448
-14	79.3110	26	9.55074	66	1.89627	106	0.52912
-13	74.5360	27	9.12445	67	1.83003	107	0.51426
-12	70.1698	28	8.71983	68	1.76647	108	0.49989
-11	66.0898	29	8.33566	69	1.70547	109	0.48600
-10	62.2756	30	7.97078	70	1.64691	110	0.47256
-9	58.7079	31	7.62411	71	1.59068	111	0.45957
-8	56.3694	32	7.29464	72	1.53668	112	0.44699
-7	52.2438	33	6.98142	73	1.48481	113	0.43482
-6	49.3161	34	6.68355	74	1.43498	114	0.42304
-5	46.5725	35	6.40021	75	1.38703	115	0.41164
-4	44.0000	36	6.13059	76	1.34105	116	0.40060
-3	41.5878	37	5.87359	77	1.29078	117	0.38991
-2	39.8239	38	5.62961	78	1.25423	118	0.37956
-1	37.1988	39	5.39689	79	1.21330	119	0.36954
0	35.2024	40	5.17519	80	1.17393	120	0.35982
1	33.3269	41	4.96392	81	1.13604	121	0.35042
2	31.5635	42	4.76253	82	1.09958	122	0.3413
3	29.9058	43	4.57050	83	1.06448	123	0.33246
4	28.3459	44	4.38736	84	1.03069	124	0.32390
5	26.8778	45	4.21263	85	0.99815	125	0.31559
6	25.4954	46	4.04589	86	0.96681	126	0.30754
7	24.1932	47	3.88673	87	0.93662	127	0.29974
8	22.5662	48	3.73476	88	0.90753	128	0.29216
9	21.8094	49	3.58962	89	0.87950	129	0.28482
10	20.7184	50	3.45097	90	0.85248	130	0.27770
11	19.6891	51	3.31847	91	0.82643	131	0.27078
12	18.7177	52	3.19183	92	0.80132	132	0.26408
13	17.8005	53	3.07075	93	0.77709	133	0.25757
14	16.9341	54	2.95896	94	0.75373	134	0.25125
15	16.1156	55	2.84421	95	0.73119	135	0.24512
16	15.3418	56	2.73823	96	0.70944	136	0.23916
17	14.6181	57	2.63682	97	0.68844	137	0.23338
18	13.9180	58	2.53973	98	0.66818	138	0.22776
19	13.2631	59	2.44677	99	0.64862	139	0.22231

PART 8. APPENDIX

2. DISCHARGE TEMPERATURE SENSOR TABLE (°C - K)

°C	K Ohm	°C	K Ohm	°C	K Ohm	°C	K Ohm
-20	542.7	20	68.66	60	13.59	100	3.702
-19	511.9	21	65.62	61	13.11	101	3.595
-18	483	22	62.73	62	12.65	102	3.492
-17	455.9	23	59.98	63	12.21	103	3.392
-16	430.5	24	57.37	64	11.79	104	3.296
-15	406.7	25	54.89	65	11.38	105	3.203
-14	384.3	26	52.53	66	10.99	106	3.113
-13	363.3	27	50.28	67	10.61	107	3.025
-12	343.6	28	48.14	68	10.25	108	2.941
-11	325.1	29	46.11	69	9.902	109	2.86
-10	307.7	30	44.17	70	9.569	110	2.781
-9	291.3	31	42.33	71	9.248	111	2.704
-8	275.9	32	40.57	72	8.94	112	2.63
-7	261.4	33	38.89	73	8.643	113	2.559
-6	247.8	34	37.3	74	8.358	114	2.489
-5	234.9	35	35.78	75	8.084	115	2.422
-4	222.8	36	34.32	76	7.82	116	2.357
-3	211.4	37	32.94	77	7.566	117	2.294
-2	200.7	38	31.62	78	7.321	118	2.233
-1	190.5	39	30.36	79	7.086	119	2.174
0	180.9	40	29.15	80	6.859	120	2.117
1	171.9	41	28	81	6.641	121	2.061
2	163.3	42	26.9	82	6.43	122	2.007
3	155.2	43	25.86	83	6.228	123	1.955
4	147.6	44	24.85	84	6.033	124	1.905
5	140.4	45	23.89	85	5.844	125	1.856
6	133.5	46	22.89	86	5.663	126	1.808
7	127.1	47	22.1	87	5.488	127	1.762
8	121	48	21.26	88	5.32	128	1.717
9	115.2	49	20.46	89	5.157	129	1.674
10	109.8	50	19.69	90	5	130	1.632
11	104.6	51	18.96	91	4.849		
12	99.69	52	18.26	92	4.703		
13	95.05	53	17.58	93	4.562		
14	90.66	54	16.94	94	4.426		
15	86.49	55	16.32	95	4.294	B (25/50)=3950K	
16	82.54	56	15.73	96	4.167		
17	78.79	57	15.16	97	4.045	R (90°C)=5KΩ±3%	
18	75.24	58	14.62	98	3.927		
19	71.86	59	14.09	99	3.812		

3. NORMAL VOLTAGE OF P AND N

208-240V (1-phase, 3-phase)			380-415V (3-phase)
In standby:			
Around 310 VDC			Around 530 VDC
In operation:			
With passive PFC module	With partial active PFC module	With fully active PFC module	-
>200VDC	>310VDC	>370VDC	>450VDC

NOTES

A series of horizontal dotted lines for writing notes.



Installer stamp

www.rotenso.pl
email: info@rotenso.pl